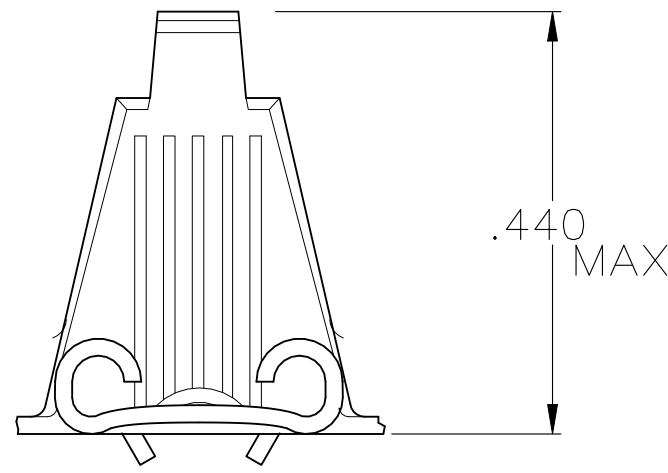
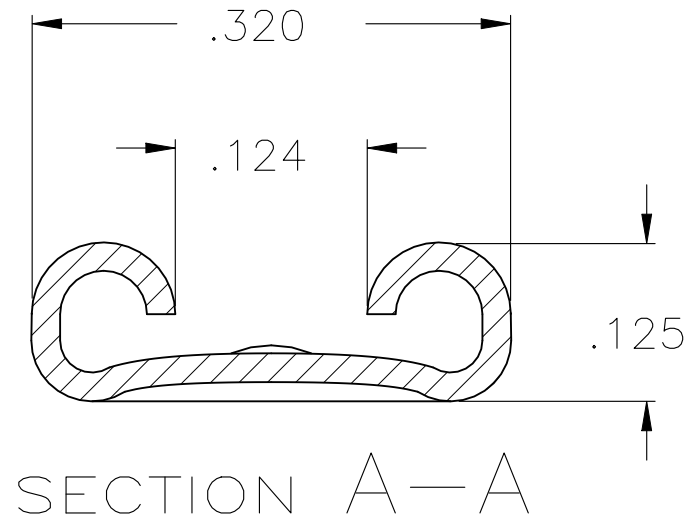
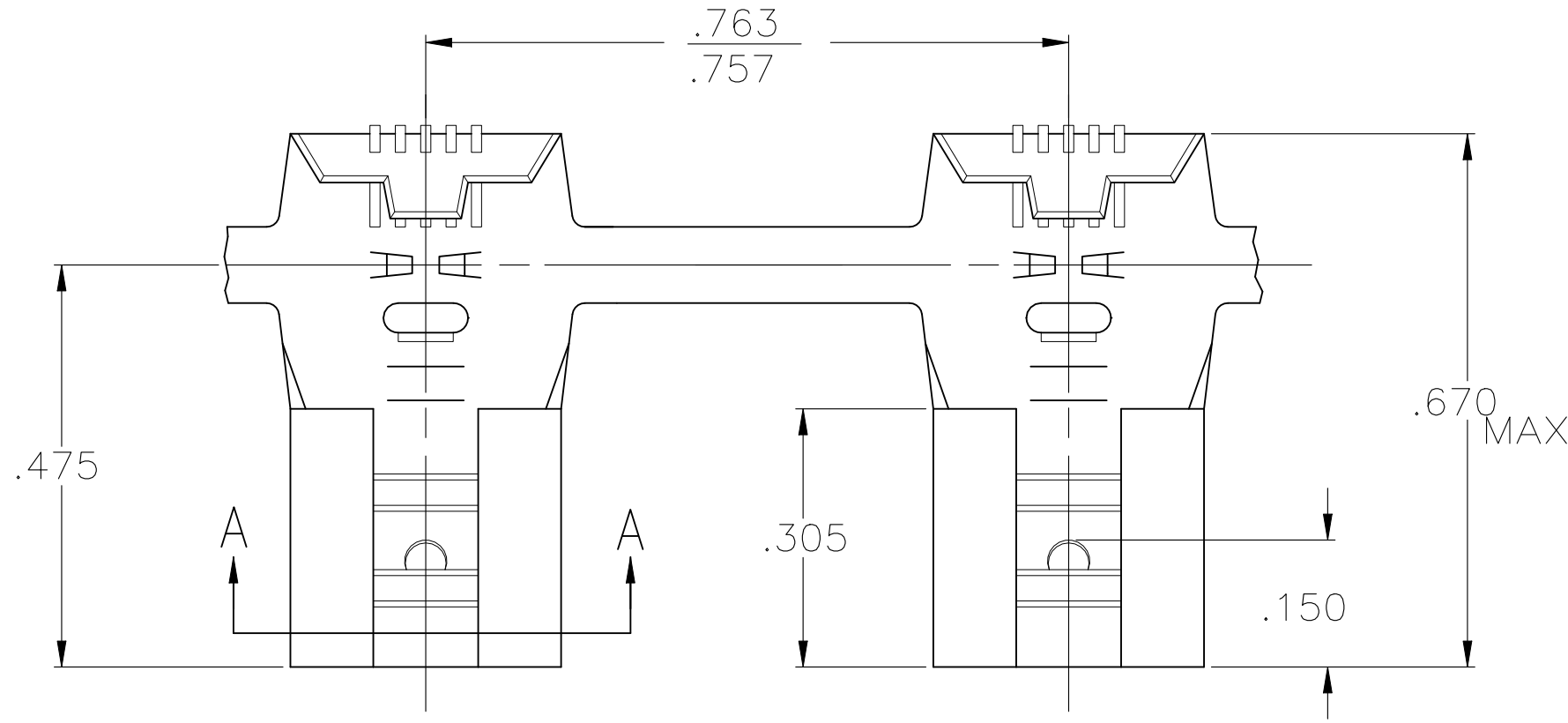


THIS DRAWING IS UNPUBLISHED. RELEASED FOR PUBLICATION  
 © COPYRIGHT - By - ALL RIGHTS RESERVED.


LOC	DIST	REVISIONS					
AF	50	P	LTR	DESCRIPTION	DATE	DWN	APVD
			Z	REVISED PER ECR-21-100525	08MAR2021	PC	DH

1 CONTINUOUS STRIP ON REELS.



OBSOLETE

REV.	REEL	L.H.	12-10	.032 ±.001	TIN	.018 PHOS. BRONZE	62057-8
REV.	REEL	L.H.	12-10	.032 ±.001	SILVER OVER NICKEL	.018 PHOS. BRONZE	62057-7
REV.	REEL	L.H.	12-10	.032 ±.001		.018 BRASS	62057-6
			12-10	.032 ±.001	TIN	.018 PHOS. BRONZE	62057-5
REV.	REEL	L.H.	12-10	.032 ±.001	TIN	BRASS	62057-4
			12-10	.032 ±.001	TIN	BRASS	62057-3
			12-10	.032 ±.001	SILVER OVER NICKEL	.018 PHOS. BRONZE	62057-1
	REELING		WIRE SIZE	TAB THK	FINISH	MATERIAL	PART NUMBER

THIS DRAWING IS A CONTROLLED DOCUMENT.		DWN	JR RUTH	2/3/86	 <b>TE Connectivity</b>											
DIMENSIONS: INCHES		CHK	R KUZO	2/7/86												
TOLERANCES UNLESS OTHERWISE SPECIFIED:		APVD	C MEYERS	2/7/86												
<table border="0"> <tr><td>0 PLC</td><td>± -</td></tr> <tr><td>1 PLC</td><td>± -</td></tr> <tr><td>2 PLC</td><td>± -</td></tr> <tr><td>3 PLC</td><td>± .015</td></tr> <tr><td>4 PLC</td><td>± -</td></tr> <tr><td>ANGLES</td><td>± -</td></tr> </table>		0 PLC	± -	1 PLC		± -	2 PLC	± -	3 PLC	± .015	4 PLC	± -	ANGLES	± -	NAME	
0 PLC	± -															
1 PLC	± -															
2 PLC	± -															
3 PLC	± .015															
4 PLC	± -															
ANGLES	± -															
MATERIAL SEE TABLE		FINISH SEE TABLE														
MATERIAL SEE TABLE		FINISH SEE TABLE		SIZE	CAGE CODE	DRAWING NO	RESTRICTED TO									
SEE TABLE		SEE TABLE		WEIGHT	-	A300779	C-62057									
CUSTOMER DRAWING				SCALE	1:1	SHEET	1 OF 1									
				REV	Z											