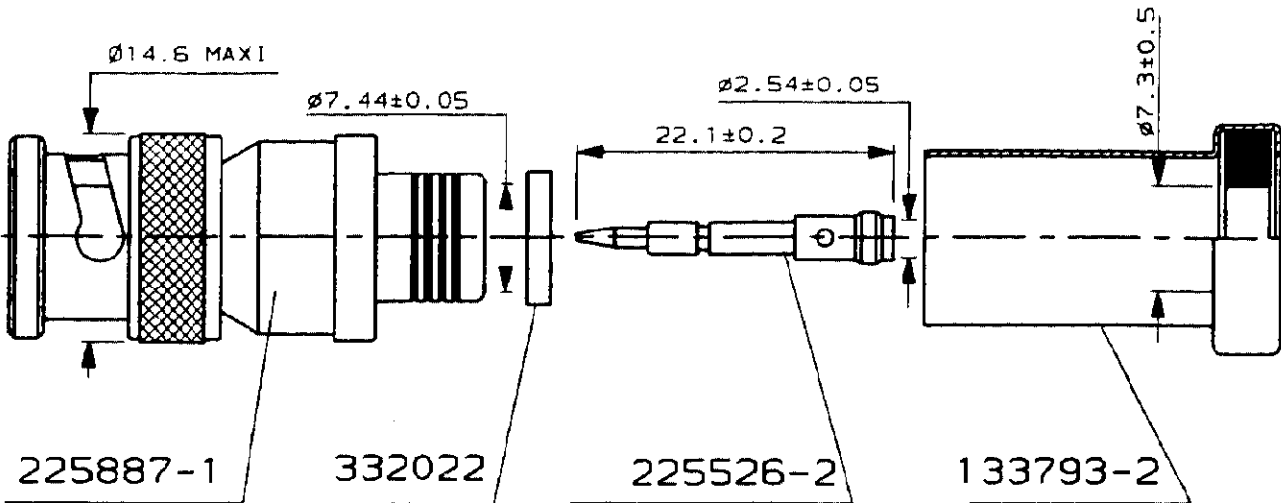


N° C134287

A4

METRIC

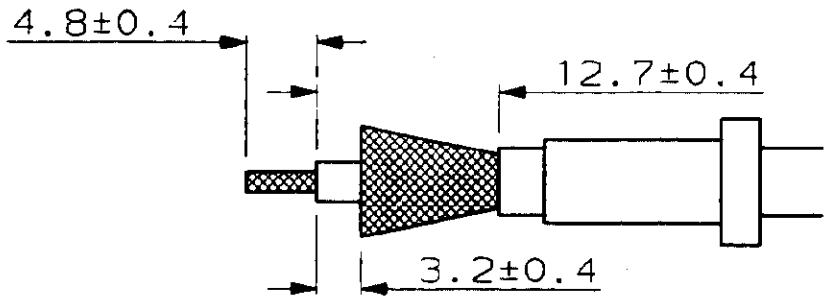


CABLE: 1703/3

INST. SERTISSAGE: IS 1914

OUTILLAGE: -PINCE A SERTIR: 220015-1

COTES DE DENUDAGE:



MASSE: 18g

REFERENCE: 134287-1

MARQUAGE DE REFERENCE: 134287-1

DIMENSIONS IN mm.
 DO NOT SCALE DRAWING.
 Dimensions en mm.
 Ne pas modifier le cotage.

| REV | MODIFICATIONS | DES | DATE | NUMERO | DESCRIPTION | OBSERVATION | REP. | |
|------|---------------|---------------------|--------------|---|---|---|-------|-----|
| - | - | - | - | ©19-- BY AMP INCORPORATED ALL RIGHTS RESERVED. AMP PRODUCTS COVERED BY PATENTS AND/OR PATENTS PENDING | DESSIN CLIENT UNIQUEMENT POUR REFERENCE | | | |
| - | - | - | - | DESSINE LE 14-04-88 | MATIERE - | AMP AMP DE FRANCE 95301 PONTOISE | | |
| - | - | - | - | PAR DB | FINITION - | CLASSE BNC SERIES | | |
| - | - | - | - | VERIFIE LE | DIRENS. FIL ISOLANT | TYPE DUAL CRIMP | | |
| - | - | - | - | PAR <i>P. Perron</i> | TOLERANCES SAUF INDICATION ± 0,3 | ECHELLE 2:1 | | |
| DIST | - | - | - | PLAN FAIT EN CAO | ne pas modifier le cotage | LOC F A N° C- 134287 | REV A | |
| - | A | REF. MARQUE AJOUTEE | NT. N° 01/84 | CONN COAXIAL-FICHE DROITE | | | | 1/1 |