

Two-Stage Hysteretic LED Driver with Internal MOSFETs

General Description

The RT8479C is a two-stage controller with dual MOSFETs and consists of a Boost converter (first stage) and a Buck converter (second stage). The advantage of two-stage topology is highly compatible with ET (Electronic Transformer) and extremely high Power Factor performance in MR16 / AR111 lighting market fields applications.

The first stage is a Boost converter for constant voltage output with inductor peak current over-current protection. The second stage is a Buck converter for constant output current by typical constant peak current regulation.

The RT8479C is equipped with dual output gate drivers for internal power MOSFETs.

The RT8479C is available in the SOP-8 (Exposed Pad) package.

Applications

- MR16 Lighting
- Signage and Decorative LED Lighting
- Architectural Lighting
- High Power LED Lighting
- Low Voltage Industrial Lighting
- Indicator and Emergency Lighting
- Automotive LED Lighting

Features

- Two-Stage Topology (Boost + Buck)
- Dual MOSFETs Inside
- Wide Input Voltage Range : 4.5V to 36V
- Excellent Power Factor
- Programmable Boost Output Voltage
- Independent Dual Stage Function
- Programmable LED Current with $\pm 5\%$ LED Current Accuracy
- Input Under-Voltage Lockout Detection
- Thermal Shutdown Protection

Ordering Information

RT8479C □ □

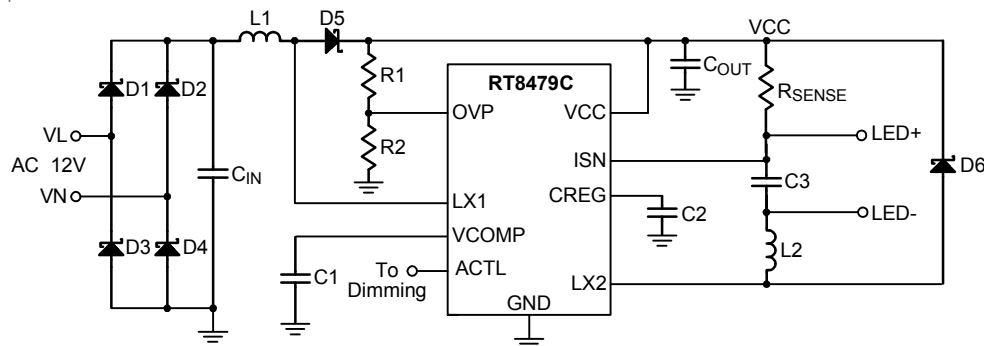
- Package Type
SP : SOP-8 (Exposed Pad-Option 2)
- Lead Plating System
G : Green (Halogen Free and Pb Free)

Note :

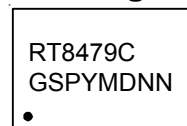
Richtek products are :

- ▶ RoHS compliant and compatible with the current requirements of IPC/JEDEC J-STD-020.
- ▶ Suitable for use in SnPb or Pb-free soldering processes.

Simplified Application Circuit



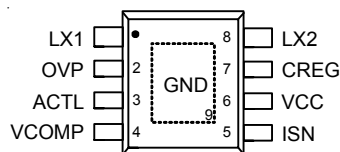
Marking Information



RT8479CGSP : Product Number
YMDNN : Date Code

Pin Configurations

(TOP VIEW)

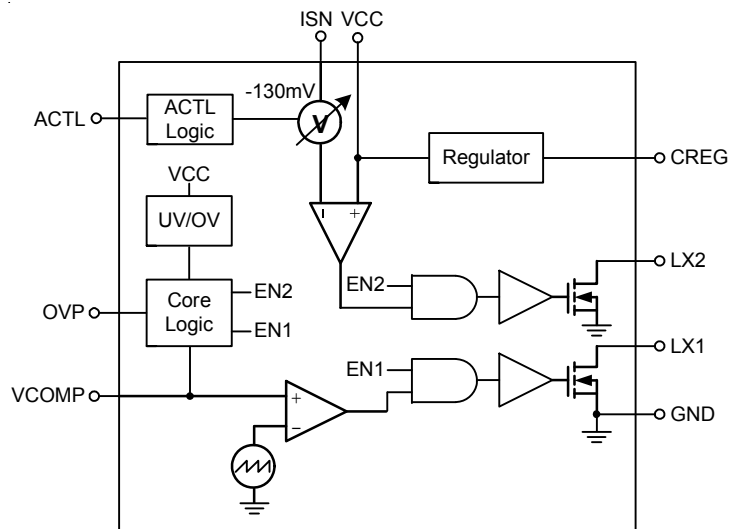


SOP-8 (Exposed Pad)

Functional Pin Description

Pin No.	Pin Name	Pin Function
1	LX1	Switch Node. The first stage internal MOSFET Drain.
2	OVP	Over-Voltage Protection Sense Input.
3	ACTL	Analog / PWM Dimming Control Input. Connect to CREG if not used.
4	VCOMP	Compensation Node. A compensation network between VCOMP and GND is needed.
5	ISN	LED Negative Current Sense Input.
6	VCC	Supply Voltage Input. For good bypass, place a ceramic capacitor near the VCC pin.
7	CREG	Internal Regulator Output. Place an 1 μ F capacitor between the CREG and GND pins.
8	LX2	Switch Node. The second stage internal MOSFET Drain.
9 (Exposed Pad)	GND	Ground. The exposed pad must be soldered to a large PCB and connected to GND for maximum power dissipation.

Function Block Diagram



Operation

The RT8479C VCC is supplied from the first stage Boost output.

The first stage is a constant output voltage Boost topology and senses the peak inductor current for over-current protection with excellent Power Factor.

The second stage is a constant output current Buck topology. The current sense voltage threshold between the VCC and ISN pins is only 130mV to reduce power loss.

Absolute Maximum Ratings (Note 1)

- Supply Voltage, VCC to GND ----- -0.3V to 45V
- ACTL, CREG, OVP, VCOMP to GND ----- -0.3V to 6V
- LX1, LX2 to GND ----- -0.3V to 40V
- VCC to ISN ----- -0.3V to 3V
- Power Dissipation, P_D @ $T_A = 25^\circ\text{C}$
 SOP-8 (Exposed Pad) ----- 3.44W
- Package Thermal Resistance (Note 2)
 SOP-8 (Exposed Pad), θ_{JA} ----- 29°C/W
 SOP-8 (Exposed Pad), θ_{JC} ----- 2°C/W
- Junction Temperature ----- 150°C
- Lead Temperature (Soldering, 10 sec.) ----- 260°C
- Storage Temperature Range ----- -65°C to 150°C
- ESD Susceptibility (Note 3)
 HBM (Human Body Model) ----- 2kV
 MM (Machine Model) ----- 200V

Recommended Operating Conditions (Note 4)

- Supply Input Voltage, VCC ----- 4.5V to 40V
- Junction Temperature Range ----- -40°C to 125°C
- Ambient Temperature Range ----- -40°C to 85°C

Electrical Characteristics

($V_{CC} = 10V_{DC}$, No Load, $C_{LOAD} = 1nF$, $T_A = 25^\circ\text{C}$, unless otherwise specified)

Parameter	Symbol	Test Conditions	Min	Typ	Max	Unit
Supply Voltage						
CREG UVLO_ ON	V_{UVLO_ON}	OVP = 0V	--	4.2	--	V
CREG UVLO_ OFF	V_{UVLO_OFF}	OVP = 0V	--	3.9	--	V
Supply Current						
VCC Shutdown Current	I_{SHDN}	$V_{CC} = 3.5V$	--	10	--	μA
VCC Quiescent Current	I_Q	$V_{CC} = 10V$	--	1.5	--	mA
Internal Reference Voltage	V_{CREG}		--	5	--	V
Internal Reference Voltage ($I_{CREG} = -20\text{mA}$)		$I_{CREG} = -20\text{mA}$	--	4.9	--	V
Stage 1 Max On-Time			--	5	--	μs
Stage 1 OVP	High-Level	V_{OVP_H}	1.85	1.94	2.04	V
	Low-Level	V_{OVP_L}	1.52	1.6	1.68	
OVP Pin Leakage Current	I_{OVP}		--	1	--	μA
ACTL Turn On Threshold	V_{ACTL_ON}		--	240	--	mV
ACTL Turn Off Threshold	V_{ACTL_OFF}		--	60	--	mV

Parameter	Symbol	Test Conditions	Min	Typ	Max	Unit
ACTL Sense Threshold High		Sense threshold percentage at $V_{ACTL} = 2.7V$	94	97	100	%
ACTL Input Bias Current			--	--	1	μA
ISN Threshold	V_{ISN}	$V_{ACTL} = 3V$	123.5	130	136.5	mV
Stage 2 Peak to Peak Sense Voltage		$(dV1 + dV2) / 2$	--	15	--	%
LX1 Internal Switch $R_{DS(ON)}$	$R_{DS(ON)_1}$	Sink = 100mA	--	0.15	--	Ω
LX2 Internal Switch $R_{DS(ON)}$	$R_{DS(ON)_2}$	Sink = 100mA	--	0.2	--	Ω

Note 1. Stresses beyond those listed "Absolute Maximum Ratings" may cause permanent damage to the device. These are stress ratings only, and functional operation of the device at these or any other conditions beyond those indicated in the operational sections of the specifications is not implied. Exposure to absolute maximum rating conditions may affect device reliability.

Note 2. θ_{JA} is measured at $T_A = 25^\circ C$ on a high effective thermal conductivity four-layer test board per JEDEC 51-7. θ_{JC} is measured at the exposed pad of the package.

Note 3. Devices are ESD sensitive. Handling precaution is recommended.

Note 4. The device is not guaranteed to function outside its operating conditions.

Typical Application Circuit

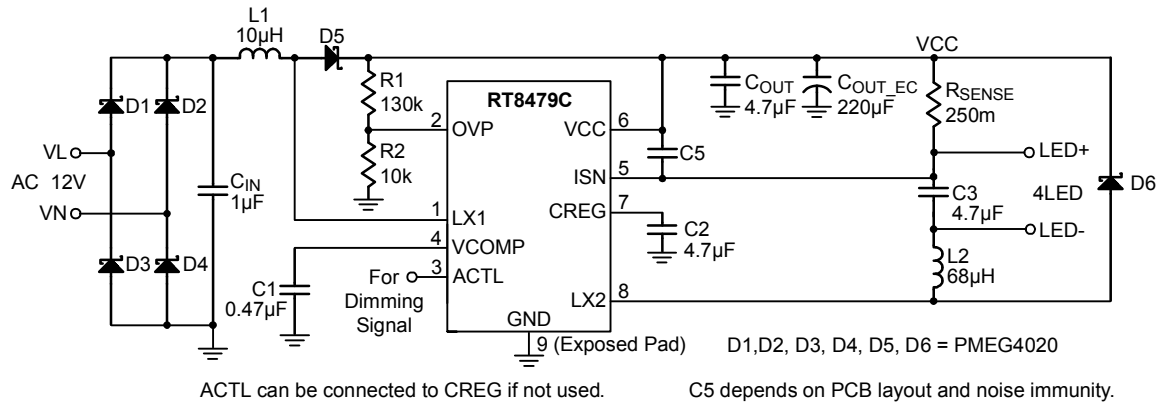
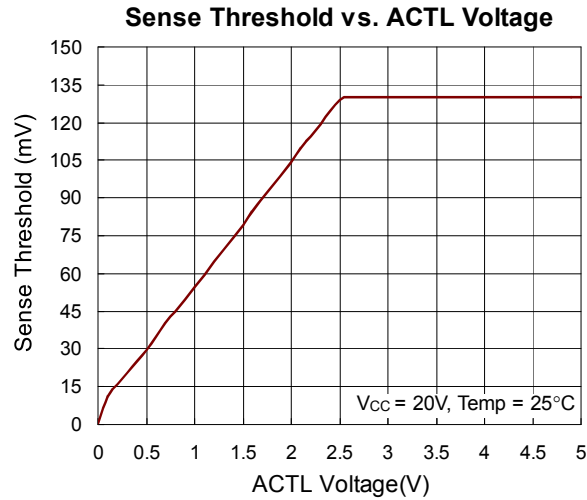
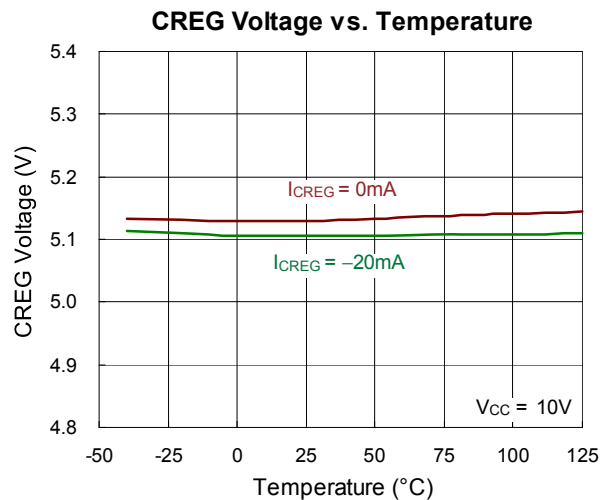
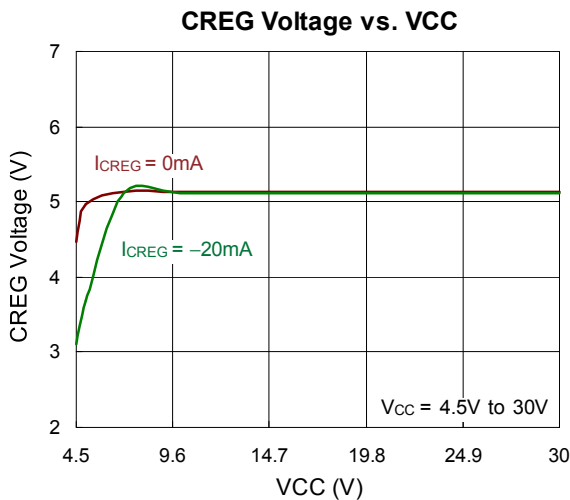
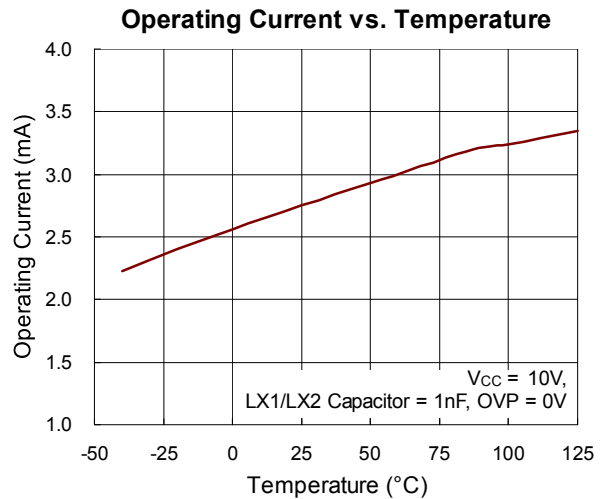
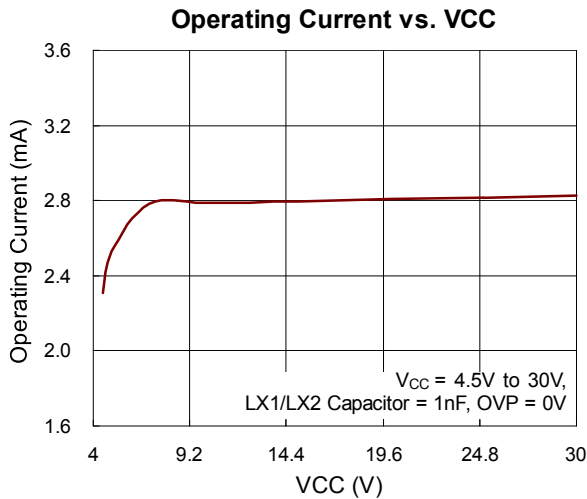
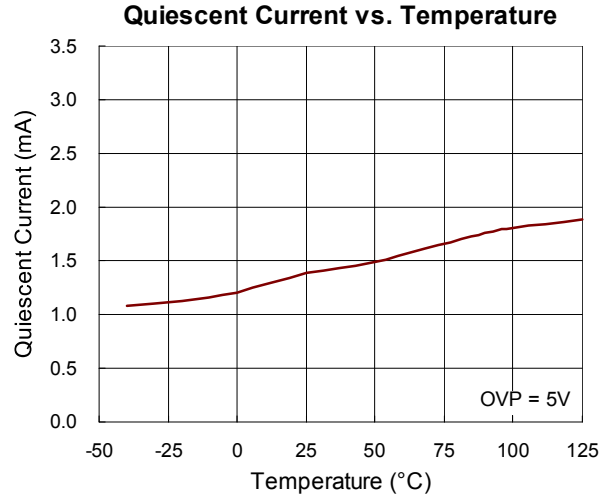
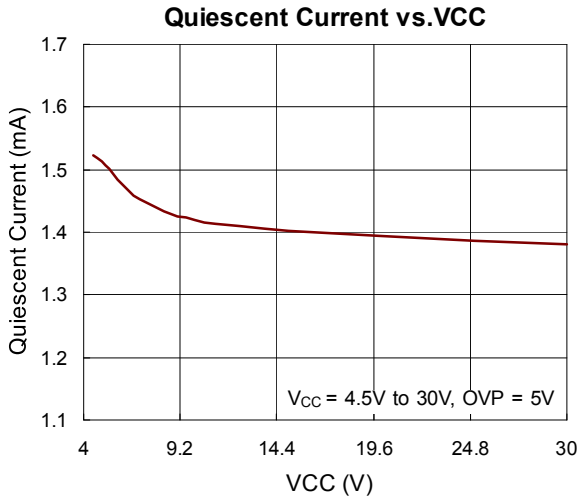
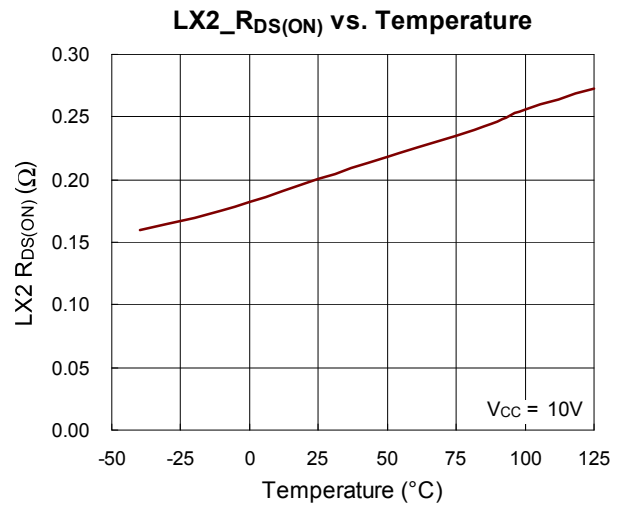
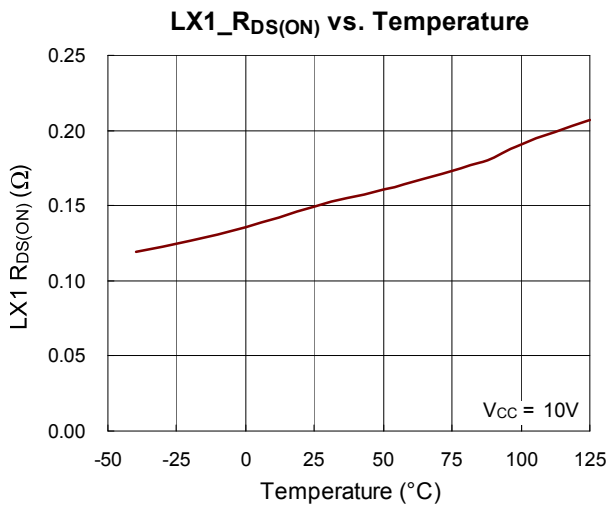
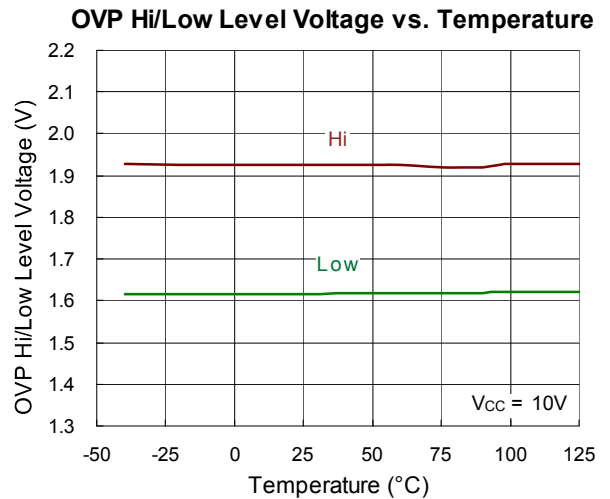
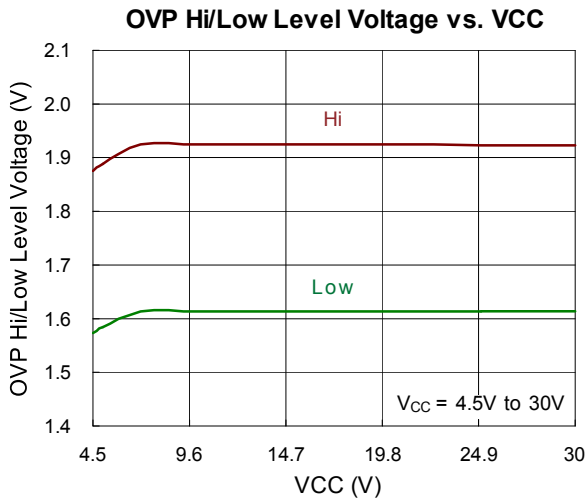
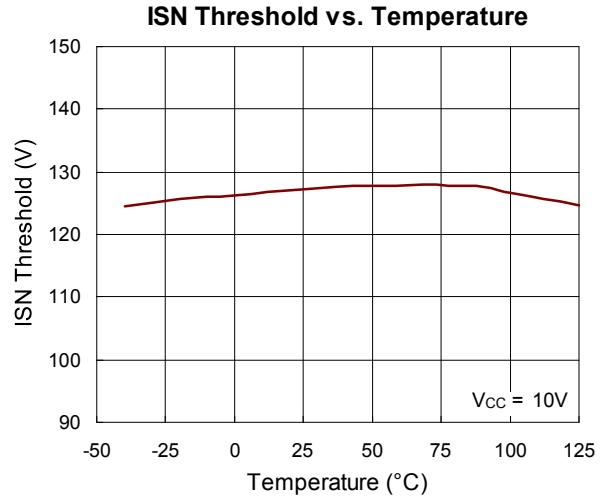
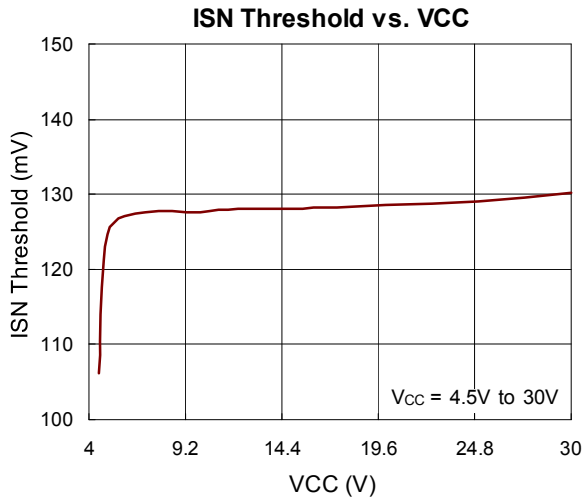


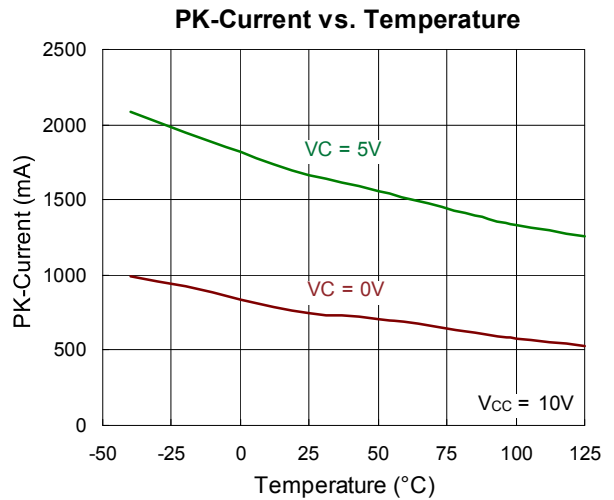
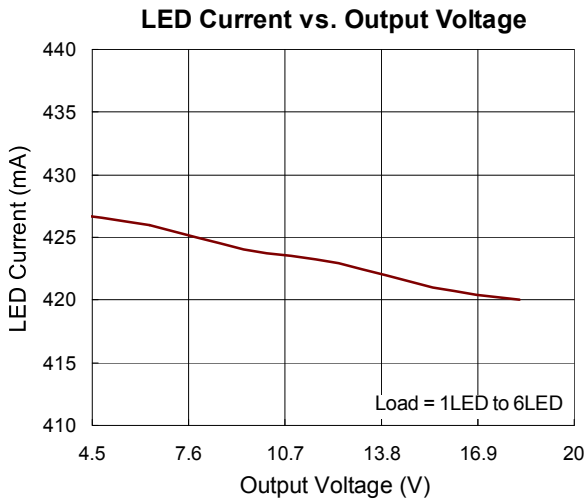
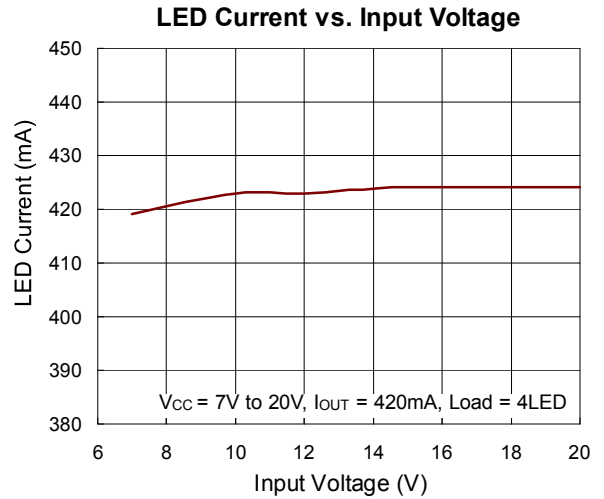
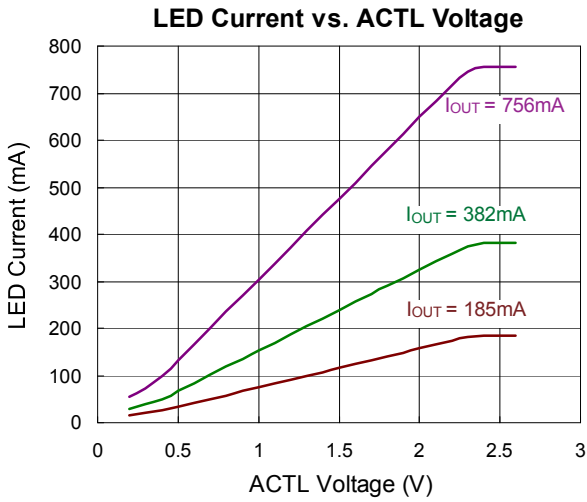
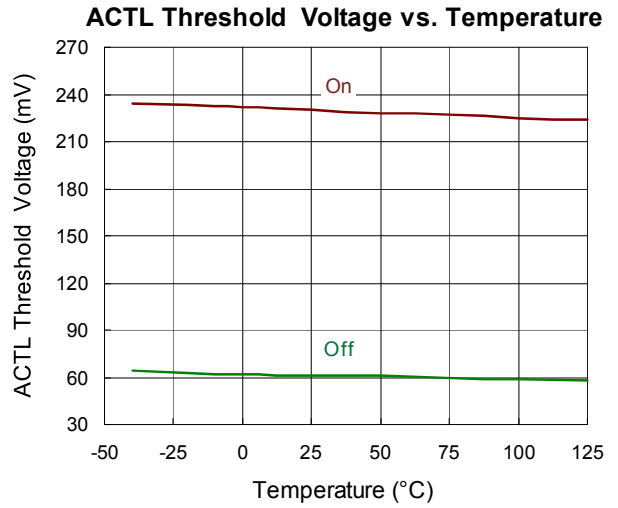
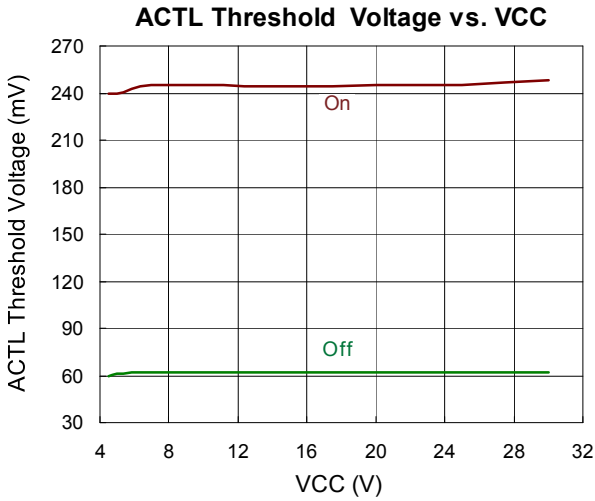
Figure 1. Typical MR16 LED Lamp for 5W Application



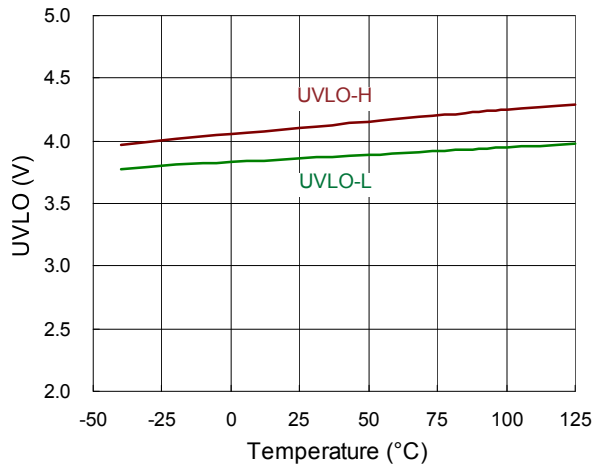
Typical Operating Characteristics



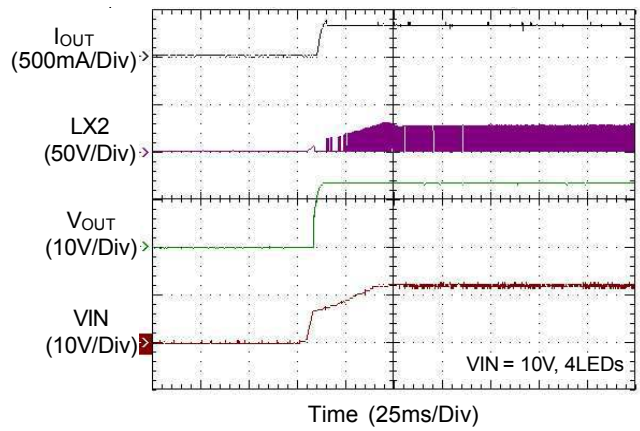




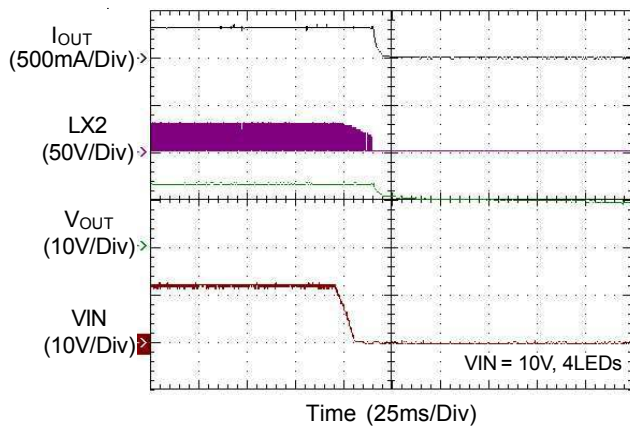
CREG UVLO vs. Temperature



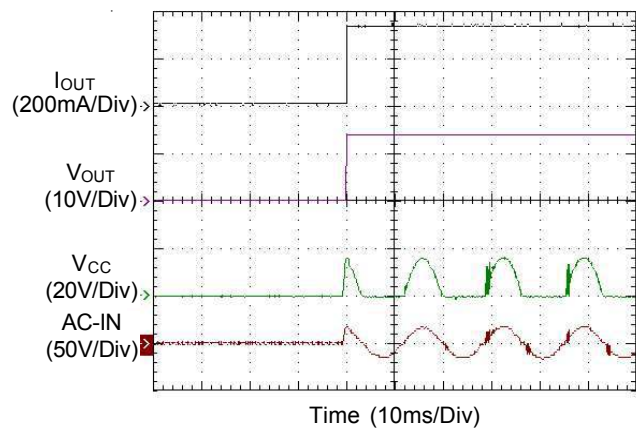
Power On from VIN



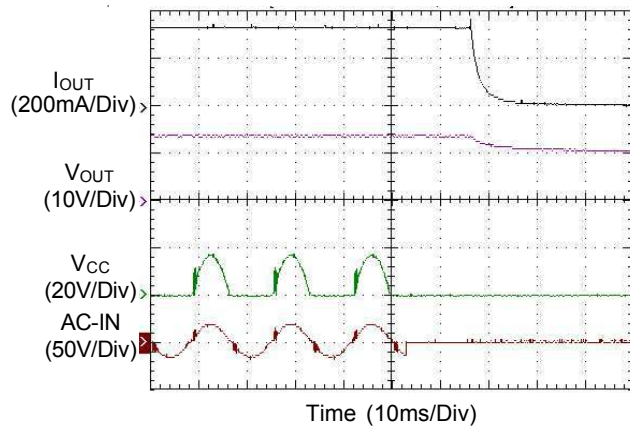
Power Off from VIN



Power On from AC-IN



Power Off from AC-IN



Application Information

The RT8479C consists of a constant output current Buck controller and a fixed off-time controlled Boost controller.

The Boost controller is based on a peak current, fixed off-time control architecture and designed to operate up to 1MHz to use a very small inductor for space constrained applications. A high-side current sense resistor is used to set the output current of the Buck controller. A 1% sense resistor performs a ±5% LED current accuracy for the best performance.

Under-Voltage Lockout (UVLO)

The RT8479C includes an under-voltage lockout function with 100mV hysteresis. The internal MOSFET turns off when VCC falls below 4.2V (typ.).

CREG Regulator

The CREG pin requires a capacitor for stable operation and to store the charge for the large GATE switching currents. Choose a 10V rated low ESR, X7R or X5R, ceramic capacitor for best performance. A 4.7µF capacitor will be adequate for many applications. Place the capacitor close to the IC to minimize the trace length to the CREG pin and to the IC ground.

An internal current limit on the CREG output protects the RT8479C from excessive on-chip power dissipation.

The CREG pin has set the output to 4.3V (typ.) to protect the internal FETs from excessive power dissipation caused by not being fully enhanced. If the CREG pin is used to drive extra circuits beside RT8479C, the extra loads should be limited to less than 10mA.

Internal MOSFET

There are two drivers, LX1 and LX2, in the RT8479C.

The driver consists of a CMOS buffer designed to drive the internal power MOSFET.

It features great sink capabilities to optimize switch on and off performance without additional external components. Whenever the IC supply voltage is lower than the under voltage threshold, the internal MOSFET is turned off.

Average Output Current Setting

The output current that flows through the LED string is set by an external resistor, R_{SENSE}, which is connected between the VCC and ISN terminal. The relationship between output current, I_{OUT}, and R_{SENSE} is shown below:

$$I_{OUT} = 130mV / R_{SENSE}$$

LED Current Ripple Reduction

Higher LED current ripple will shorten the LED life time and increase heat accumulation of LED. To reduce the LED current ripple, an output capacitor in parallel with the LED should be added. The typical value of output capacitor is 4.7µF.

VCC Voltage Setting

The VCC voltage setting is equipped with an Over-Voltage Protection (OVP) function. When the voltage at the OVP pin exceeds threshold approximately 1.9V, the power switch is turned off. The power switch can be turned on again once the voltage at the OVP pin drops below 1.6V.

For Boost applications, the output voltage can be set by the following equation :

$$V_{CC(MAX)} = 1.9 \times (1 + R4 / R5)$$

R4 and R5 are the voltage divider resistors from VOUT to GND with the divider center node connected to the OVP pin. For MR16 LED lamp application, the minimum voltage of V_{CC} should maintain above 25V for stable operation.

Step-Down Converter Inductor Selection

The RT8479C implemented a simple high efficiency, continuous mode inductive step-down converter. The inductance L2 in Buck converter is determined by the following factors : inductor ripple current, switching frequency, VOUT/VIN ratio, internal MOSFET, topology specifications, and component parameter. The inductance L2 is calculated according to the following equation :

$$L2 \geq [V_{CC(MAX)} - V_{OUT} - V_{ISN} - (R_{DS2(ON)} \times I_{OUT})] \times D / [f_{sw} \times \Delta I_{OUT}]$$

where

fsw is switching frequency (Hz).

$R_{DS2(ON)}$ is the low-side switch on-resistance of external MOSFET (M2). The typical value is 0.35Ω .

D is the duty cycle = V_{OUT} / V_{IN}

I_{OUT} is the required LED current (A)

ΔI_{OUT} is the inductor peak-peak ripple current (internally set to $0.3 \times I_{OUT}$)

V_{CC} is the supply input voltage (V)

V_{OUT} is the total LED forward voltage (V)

V_{ISN} is the voltage cross current sense resistor (V)

L2 is the inductance (H)

The selected inductor must have saturation current higher than the peak output LED current and continuous current rating above the required average output LED current. In general, the inductor saturation current should be 1.5 times the LED current. In order to minimize output current ripple, higher values of inductance are recommended at higher supply voltages. Because high values of inductance has high line resistance, it will cause lower efficiency.

Step-Up Converter Inductor Selection

The RT8479C uses a constant off-time control to provide high efficiency step-up converter.

Following the constant off-time mechanism, the inductance L1 is calculated according to the following equation :

$$L1 > t_{OFF} \times (V_{CC(MAX)} - V_{IN(MIN)} + V_F) / I_{LIM}$$

where

t_{OFF} is Off-Time. The typical value is $1.5\mu s$.

I_{LIM} is the input current. The typical value is 2A for MR16 application.

V_{CC} is the supply input voltage (V)

V_{IN} is the input voltage after bridge diodes (V)

V_F is the forward voltage (V)

L1 is the inductance (H)

$$D = 1 - (V_{IN} / V_{OUT})$$

$$f_{sw} = (1 - D) / t_{OFF}$$

where

D is the operation duty

f_{sw} is the switching frequency of Boost controller.

Check the I_{LIM} setting satisfied the output LED current request by the following equation :

$$(I_{OUT} + \Delta I_{OUT}) < [2 \times L1 \times I_{LIM} + t_{OFF} \times (V_{IN} - V_{OUT} - V_F)] \times V_{IN} / [2 \times L1 \times (V_{CC})]$$

Diode Selection

To obtain better efficiency, the Schottky diode is recommended for its low reverse leakage current, low recovery time and low forward voltage. With its low power dissipation, the Schottky diode outperforms other silicon diodes and increases overall efficiency.

Input Capacitor selection

Input capacitor has to supply peak current to the inductor and flatten the current ripple on the input. The low ESR condition is required to avoid increasing power loss. The ceramic capacitor is recommended due to its excellent high frequency characteristic and low ESR, which is suitable for the RT8479C. For maximum stability over the entire operating temperature range, capacitors with better dielectric are suggested.

Thermal Protection

A thermal protection feature is to protect the RT8479C from excessive heat damage. When the junction temperature exceeds $150^\circ C$, the thermal protection will turn off the LX terminal. When the junction temperature drops below $125^\circ C$, the RT8479C will turn on the LX terminal and return to normal operation.

Analog Dimming Control

The ACTL terminal is driven by an external voltage, V_{ACTL} , to adjust the output current to an average value set by R_{SENSE} . The voltage range for V_{ACTL} to adjust the output current is from 0.24V to 2.5V. If V_{ACTL} becomes larger than 2.5V, the output current value will just be determined by the external/resistor, R_{SENSE} .

$$I_{OUT\ avg} = \frac{0.13V}{R_{SENSE}} \times \frac{V_{ACTL} - 0.24}{2.5}$$

ACTL Control

The ACTL pin is the dimming function pin with the DC level proportional to the output LED current until ACTL clamp voltage that is the max output current (100%).

Thermal Considerations

For continuous operation, do not exceed absolute maximum junction temperature. The maximum power dissipation depends on the thermal resistance of the IC package, PCB layout, rate of surrounding airflow, and difference between junction and ambient temperature. The maximum power dissipation can be calculated by the following formula :

$$P_{D(MAX)} = (T_{J(MAX)} - T_A) / \theta_{JA}$$

where $T_{J(MAX)}$ is the maximum junction temperature, T_A is the ambient temperature, and θ_{JA} is the junction to ambient thermal resistance.

For recommended operating condition specifications, the maximum junction temperature is 125°C. The junction to ambient thermal resistance, θ_{JA} , is layout dependent. For SOP-8 (Exposed Pad) package, the thermal resistance, θ_{JA} , is 29°C/W on a standard JEDEC 51-7 four-layer thermal test board. The maximum power dissipation at $T_A = 25^\circ\text{C}$ can be calculated by the following formula :

$$P_{D(MAX)} = (125^\circ\text{C} - 25^\circ\text{C}) / (29^\circ\text{C/W}) = 3.44\text{W for SOP-8 (Exposed Pad) package}$$

The maximum power dissipation depends on the operating ambient temperature for fixed $T_{J(MAX)}$ and thermal resistance, θ_{JA} . The derating curve in Figure 2 allows the designer to see the effect of rising ambient temperature on the maximum power dissipation.

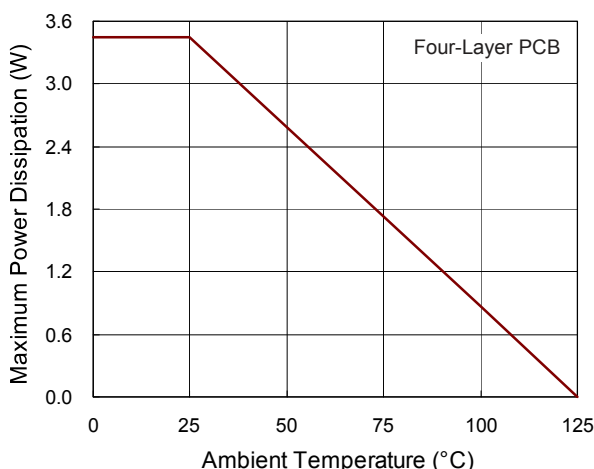


Figure 2. Derating Curve of Maximum Power Dissipation

For 5W MR16 LED Lamp application in Figure 1, the typical PCB size is 2x2 mm² with two-layer layout plane.

Under 25°C room temperature, the case temperature of RT8479C is around 65°C. If RT8479C is operated in higher output power or smaller PCB size, the thermal plane for heat dissipation should be concerned seriously.

Layout Consideration

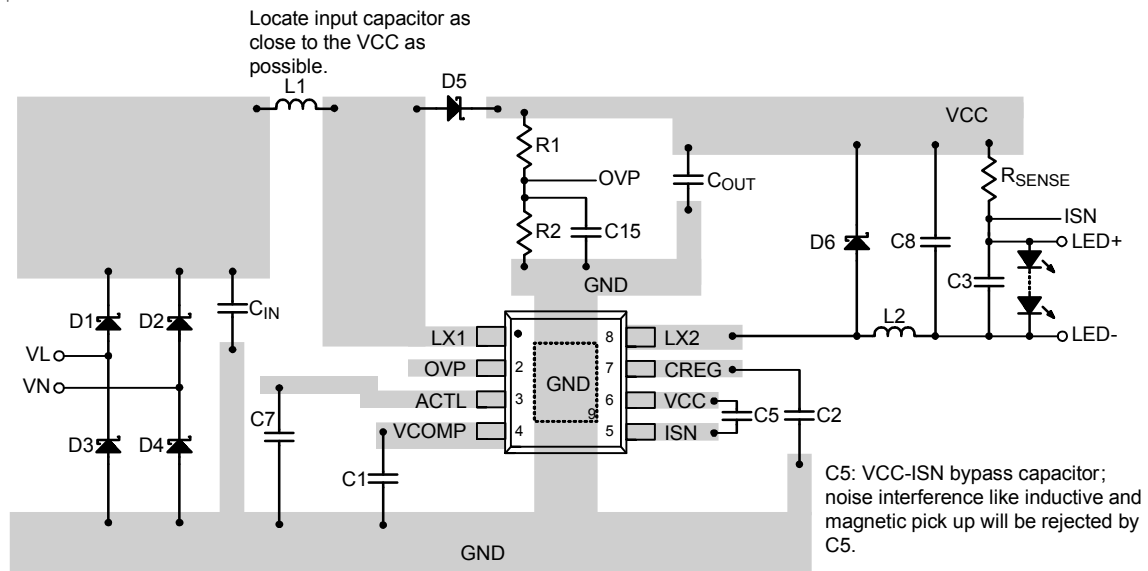
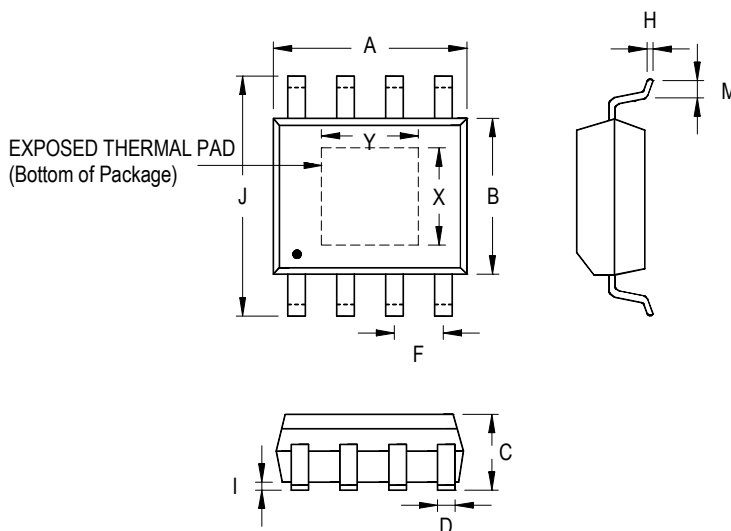


Figure 3. PCB Layout Guide

Outline Dimension



Symbol	Dimensions In Millimeters		Dimensions In Inches		
	Min	Max	Min	Max	
A	4.801	5.004	0.189	0.197	
B	3.810	4.000	0.150	0.157	
C	1.346	1.753	0.053	0.069	
D	0.330	0.510	0.013	0.020	
F	1.194	1.346	0.047	0.053	
H	0.170	0.254	0.007	0.010	
I	0.000	0.152	0.000	0.006	
J	5.791	6.200	0.228	0.244	
M	0.406	1.270	0.016	0.050	
Option 1	X	2.000	2.300	0.079	0.091
	Y	2.000	2.300	0.079	0.091
Option 2	X	2.100	2.500	0.083	0.098
	Y	3.000	3.500	0.118	0.138

8-Lead SOP (Exposed Pad) Plastic Package

Richtek Technology Corporation

14F, No. 8, Tai Yuen 1st Street, Chupei City
 Hsinchu, Taiwan, R.O.C.
 Tel: (8863)5526789

Richtek products are sold by description only. Richtek reserves the right to change the circuitry and/or specifications without notice at any time. Customers should obtain the latest relevant information and data sheets before placing orders and should verify that such information is current and complete. Richtek cannot assume responsibility for use of any circuitry other than circuitry entirely embodied in a Richtek product. Information furnished by Richtek is believed to be accurate and reliable. However, no responsibility is assumed by Richtek or its subsidiaries for its use; nor for any infringements of patents or other rights of third parties which may result from its use. No license is granted by implication or otherwise under any patent or patent rights of Richtek or its subsidiaries.