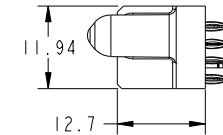
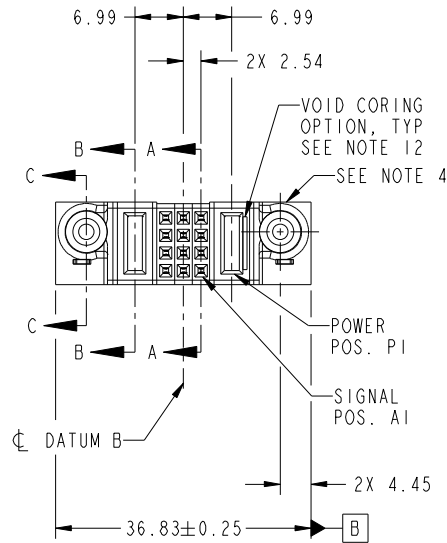


Tous droits strictement reserves. Reproduction ou communication a des tiers interdite sous quelque forme que ce soit sans autorisation écrite du propriétaire. Propriete de c FCI. Droits de reproduction FCI.



All rights strictly reserved. Reproduction or issue to third parties in any form whatever is not permitted without written authority from the proprietor. Property of FCI. Copyright FCI.

PRODUCT NO.	ROWS	PWR		SIG		PWR		
		E2	P2	3	2	1	P1	E1
51750-097-- NOTE: 3	D C B A							



CODE	DIM "M" MATING LENGTH	CONTACT TYPE
PF	[2.34]	POWER
PC	[1.07]	POWER
F	[N/A]	SIGNAL
HA	[N/A]	HOLD-DOWN

mat'l code				SEE NOTES		tolerances unless otherwise specified		CUSTOMER		FCI	
ltr	ecn no.	dr	date	linear		0.X ±0.5	COPY		www.fciconnect.com		
A	DG10-0037	WD	01/27/10	angles		0.XX ±0.25	projection		title		
						0.XXX ±0.1	MIM		IP + 12S + IP VERTICAL PRESS-FIT RECEPT		
				dr	Warren Du	12/25/09	scale		product family		code
				enr	Warren Du	12/25/09	1:1		PwrBlade		213
				chr	PM ZHENG	12/25/09			size		sheet
				appd	Joseph Hsia	12/25/09			dwg no		1 of 4
sheet index	revision sheet	A	A	A	A				A		
		1	2	3	4				51750-097		

cage code 22526

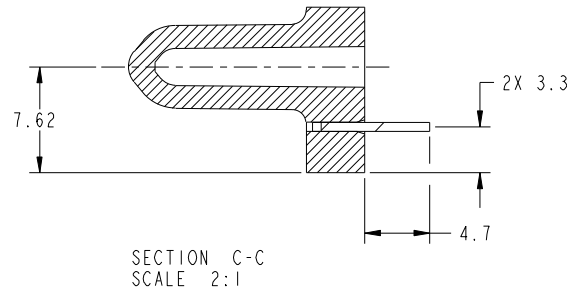
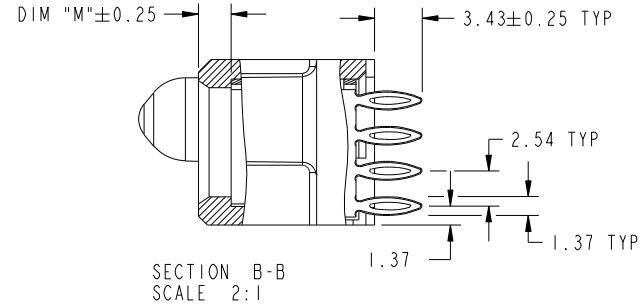
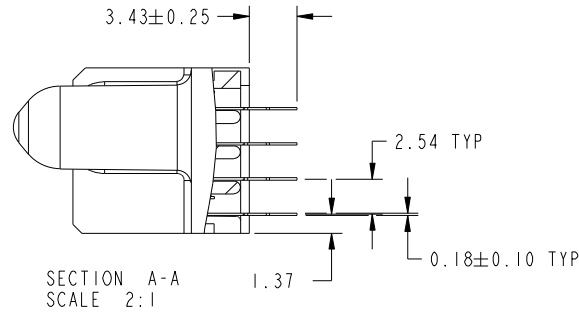
Pro/E

Tous droits strictement reserves. Reproduction ou communication a des tiers interdite sous quelque forme que ce soit sans autorisation écrite du propriétaire. Propriete de c FCI. Droits de reproduction FCI.



All rights strictly reserved. Reproduction or issue to third parties in any form whatever is not permitted without written authority from the proprietor. Property of FCI. Copyright FCI.

PRODUCT NUMBER
51750-097_
NOTE: 3



mat'l code				tolerances unless otherwise specified		CUSTOMER		 www.fciconnect.com	
ltr	ecn no.	dr	date	linear	0.X ± 0.5	COPY		 title IP + 12S + IP VERTICAL PRESS-FIT RECEPT	product family PwrBlade code 213 size dwg no 51750-097 sheet 2 of 4
A					0.XX ± 0.25	 MIM			
					0.XXX ± 0.1	 scale 1:1			
				angles	0° ± 2°				
		dr	Warren Du	12/25/09					
		enr	Warren Du	12/25/09					
		chr	PM ZHENG	12/25/09					
		appd	Joseph Hsia	12/25/09					
sheet index	revision sheet								

cage code 22526

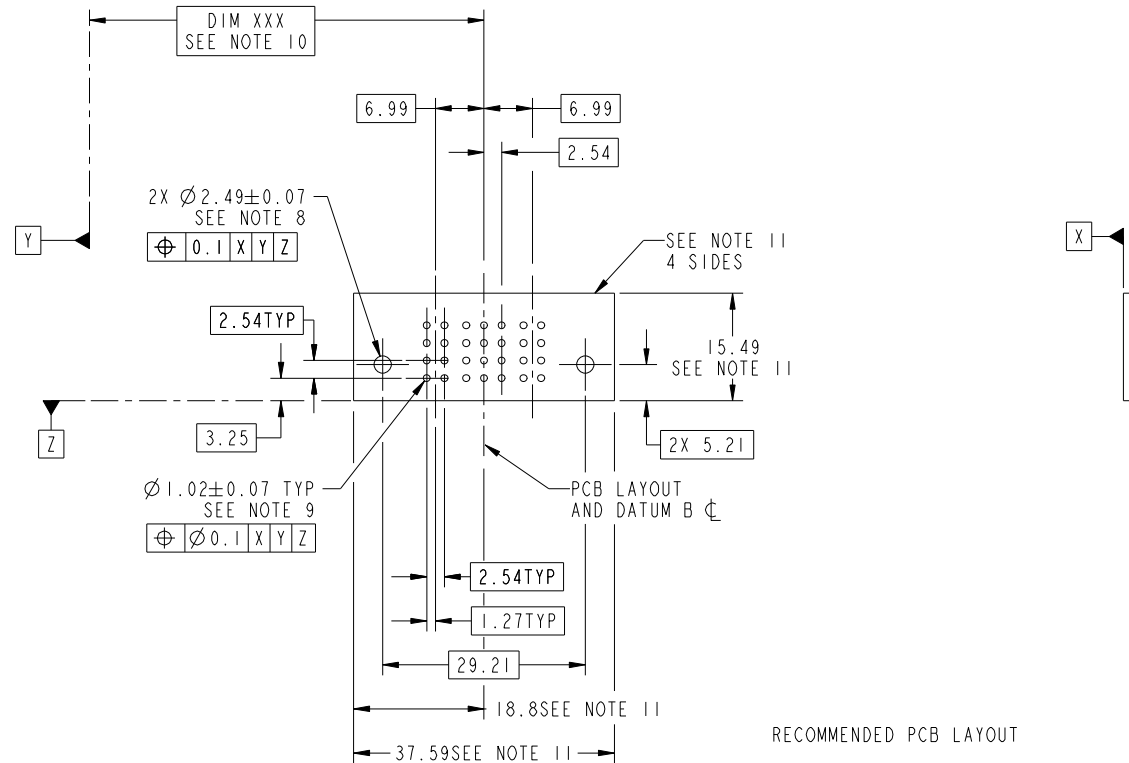
Pro/E

Tous droits strictement reserves. Reproduction ou communication a des tiers interdite sous quelque forme que ce soit sans autorisation ecrite du proprietaire. Propriete de c FCI. Droits de reproduction FCI.



All rights strictly reserved. Reproduction or issue to third parties in any form whatever is not permitted without written authority from the proprietor. Property of FCI. Copyright FCI.

PRODUCT NUMBER
51750-097_
NOTE: 3



mat'l code				tolerances unless otherwise specified		CUSTOMER		 www.fciconnect.com	
ltr	ecn no.	dr	date	linear	0.X ± 0.5	COPY		title	
A					0.XX ± 0.25	projection		IP + 12S + IP	
				angles	0.XXX ± 0.1			VERTICAL PRESS-FIT RECEPT	
					0° ± 2°			product family PwrBlade code	
		dr	Warren Du	12/25/09		size		213	
		enr	Warren Du	12/25/09		dwg no		3 of 4	
		chr	PM ZHENG	12/25/09		scale		sheet	
		appd	Joseph Hsia	12/25/09		1:1		3 of 4	
sheet index		revision sheet							

cage code 22526

Pro/E

Tous droits strictement reserves. Reproduction ou communication a des tiers interdite sous quelque forme que ce soit sans autorisation écrite du propriétaire. Propriete de c FCI. Droits de reproduction FCI.



All rights strictly reserved. Reproduction or issue to third parties in any form whatever is not permitted without written authority from the proprietor. Property of FCI. Copyright FCI.

PRODUCT NUMBER
51750-097_
NOTE: 3

NOTES:

1. DIMENSIONS AND TOLERANCES ARE IN ACCORDANCE WITH ASME Y14.5M, 1994 UNLESS OTHERWISE SPECIFIED.

CONNECTOR NOTES:

- 2 HOUSING MATERIAL: UL 94 V-0 GLASS FILLED HIGH-TEMP THERMOPLASTIC
POWER CONTACT MATERIAL: COPPER ALLOY
SIGNAL PIN MATERIAL: COPPER ALLOY
 - 3. SEE ITEM 7 & 8 IN PRINT 10064183 FOR PLATING SPEC OF 51750-097 AND 51750-097LF RESPECTIVELY.
 - 4 MANUFACTURER'S NAME, DATE CODE AND OPTIONAL P/N TO APPEAR ON THIS SURFACE. THE P/N CAN BE OMITTED IF THERE IS NOT ENOUGH SPACE ON THIS SURFACE.
 - 5. PRODUCT SPECIFICATION GS-12-149.
APPLICATION SPECIFICATION BUS-20-067.
 - 6. PACKAGED IN TRAYS.
- PCB NOTES:
- 7. ALL HOLE DIAMETERS ARE FINISHED HOLE SIZE.
 - 8 MOUNTING HOLES, WHERE APPLICABLE, ARE UNPLATED.
 - 9 $\varnothing 1.151 \pm 0.025$ DRILLED HOLES PLATED WITH
0.008 MIN SnPb OR Sn OVER 0.03
TO 0.08 Cu PLATING TO ACHIEVE
 $\varnothing 1.02 \pm 0.07$ HOLE.
 - 10 "DIM XXX" TO BE DETERMINED BY THE CUSTOMER.
 - 11 CONNECTOR KEEP-OUT ZONE.
 - 12. THE VOID CORING IN BETWEEN POWER MODULES, SIGNAL MODULES AND END MODULES ARE OPTIONAL AND THE SHAPE MAY BE DIFFERENT FOR OPTIMIZE THE MOLDING PROCESS. THE VOID CORING WILL NOT EFFECT TO PRODUCT FUNCTION.

mat'l code				tolerances unless otherwise specified		CUSTOMER		FCI	
ltr	ecn no.	dr	date	linear	0.X ± 0.5	COPY		www.fciconnect.com	
A					0.XX ± 0.25	projection		title IP + 12S + 1P VERTICAL PRESS-FIT RECEPT	
				angles	0.XXX ± 0.1			product family PwrBlade code 213	
				dr	Warren Du 12/25/09	MIM		size dwg no 4 of 4	
				enrg	Warren Du 12/25/09			sheet 4 of 4	
				chr	PM ZHENG 12/25/09	scale 1:1		A 51750-097	
				appd	Joseph Hsia 12/25/09				
sheet index	revision sheet								

cage code 22526