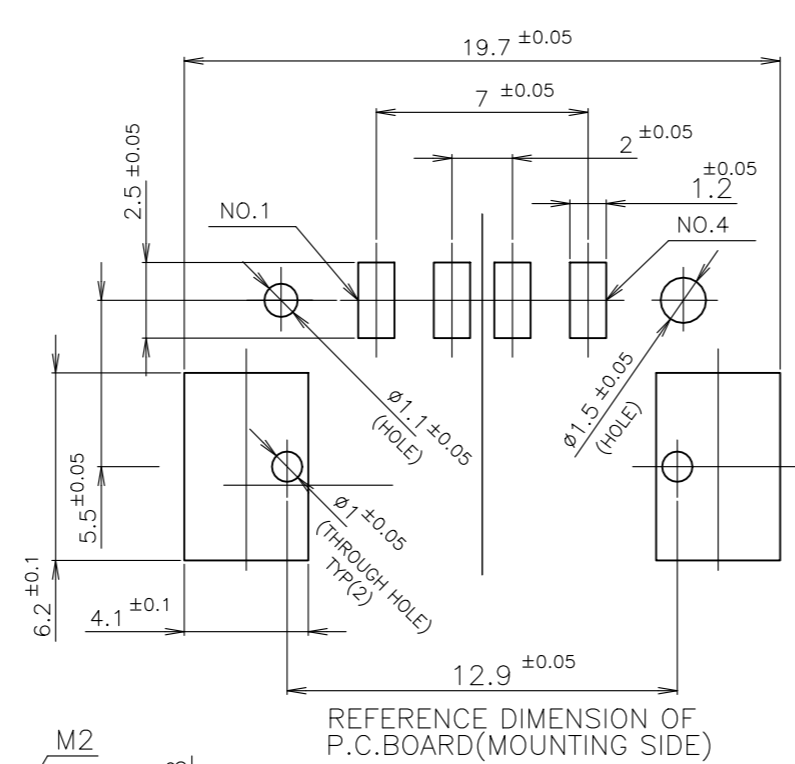
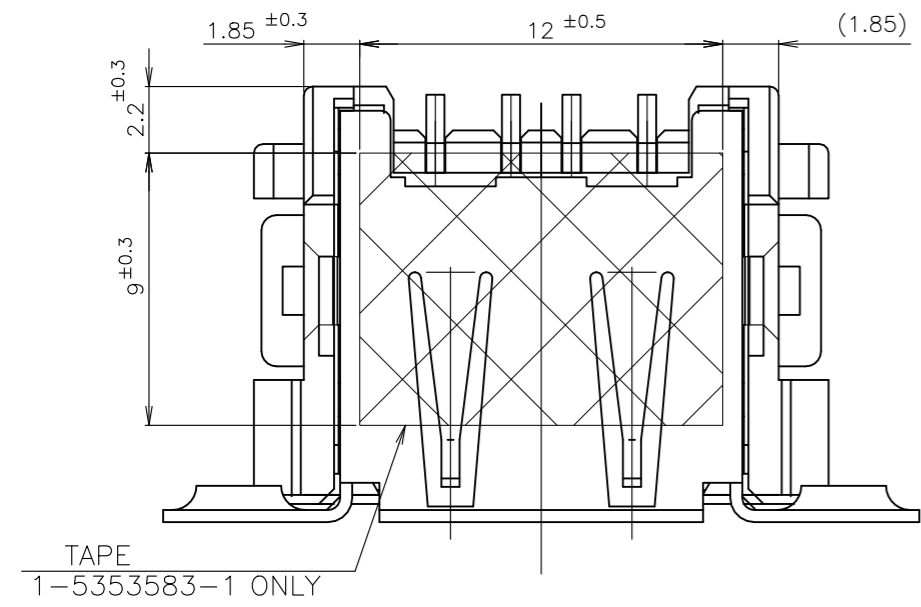


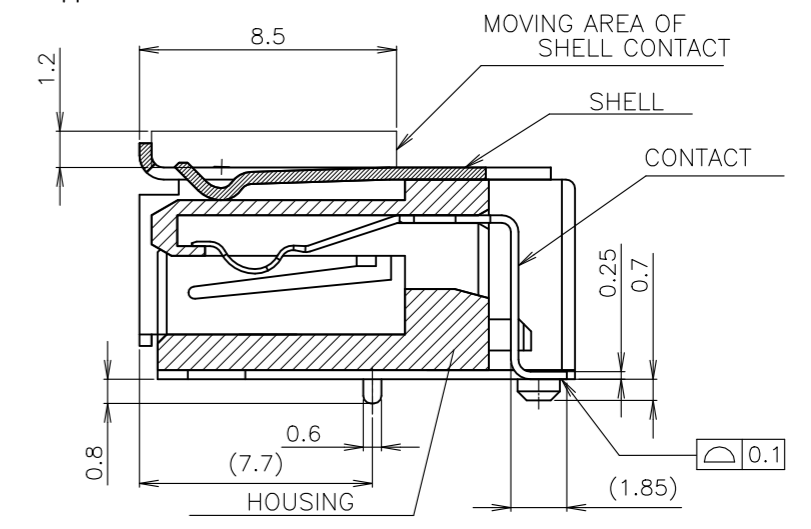
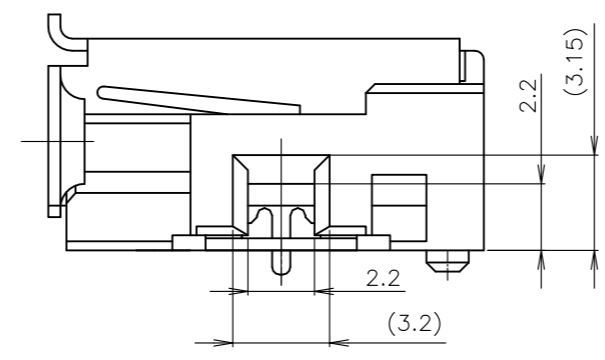
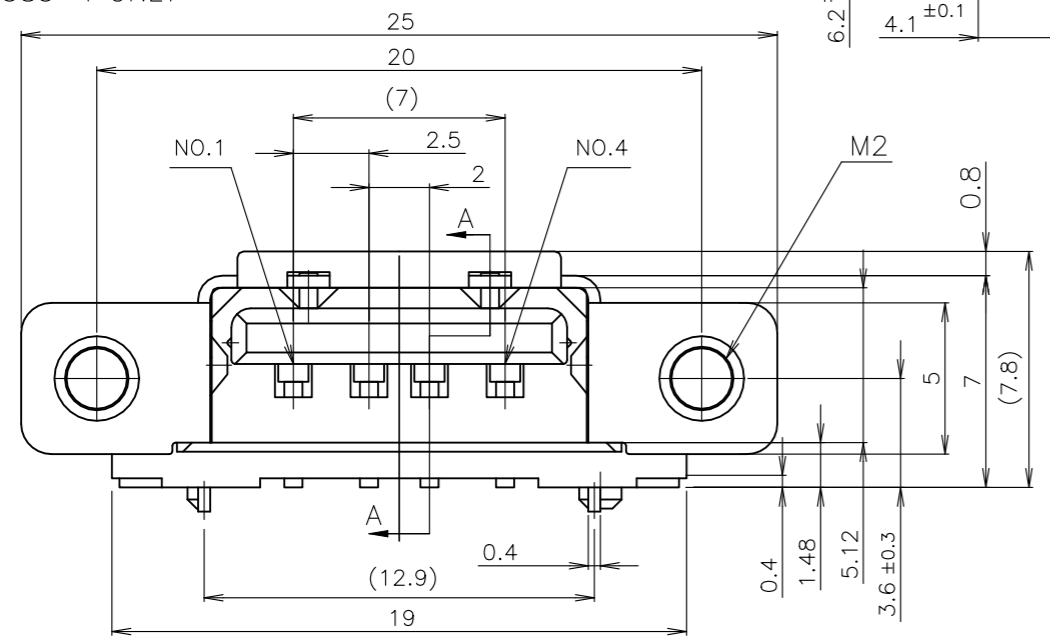
REVISIONS

P	LTR	DESCRIPTION	DATE	DWN	APVD
B		REVISED PER ECN-21-118813	23SEP2021	AK	SZ



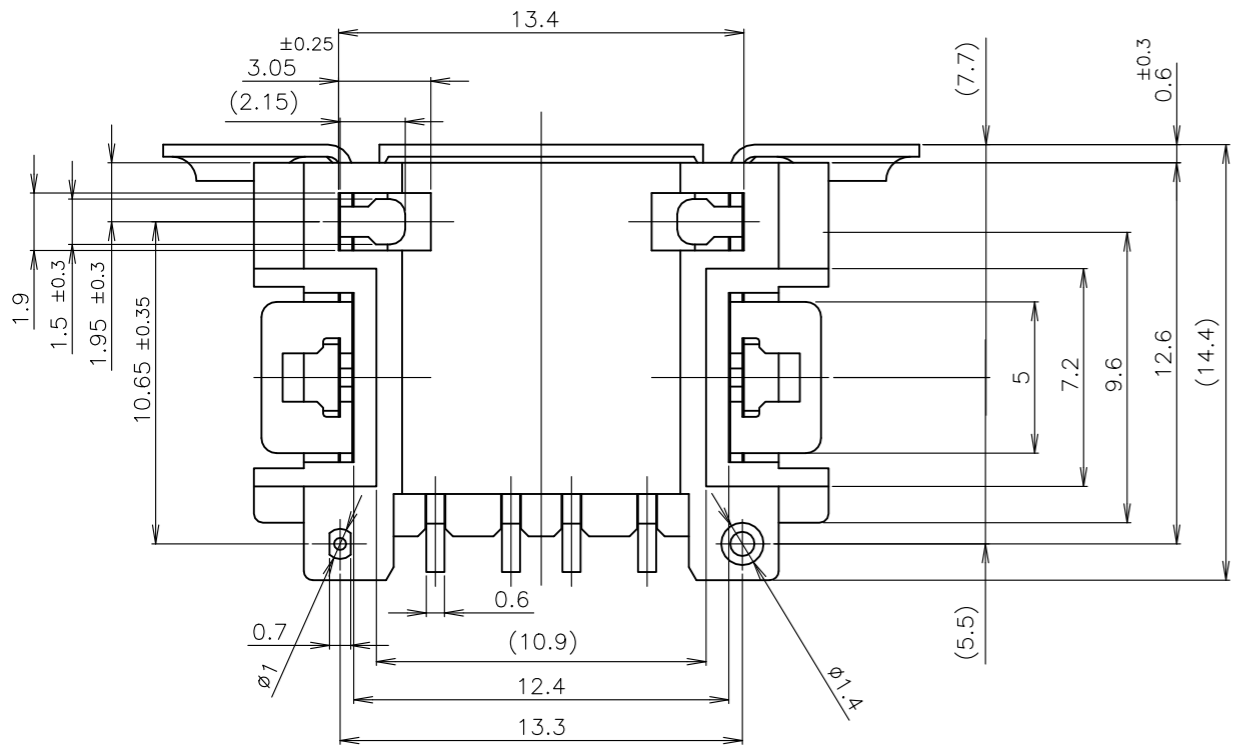
NOTES

- 1 MATERIAL & FINISH
CONTACT: COPPER ALLOY
Au PL. ON Pd-Ni PL. AT CONTACT AREA OVER Ni PL.
MATTE TIN PL. AT TINE AREA OVER Ni PL.
HOUSING: THERMO-PLASTICS, UL94V-0
SHELL : COPPER ALLOY, TIN PL.
- 2 GENERAL TOLERANCE
10 ≥ ±0.2
30 ≥ >10 ±0.25
100 ≥ >30 ±0.3
ANGLES ±5°
- 3 MATERIAL/PARTS WHICH ARE CONTAINED THE PROHIBITION
SUBSTANCE FOR ENVIRONMENTAL RELATED SUBSTANCE CONTROL
STANDARD EN-022 (ENVIRONMENT RELATED SUBSTANCE)
MUST NOT USE IN PRODUCT AND MANUFACTURING PROCESS
- 4 CADMIUM CONTENT: 5ppm UNDER



SECTION A-A

5353583-1,2



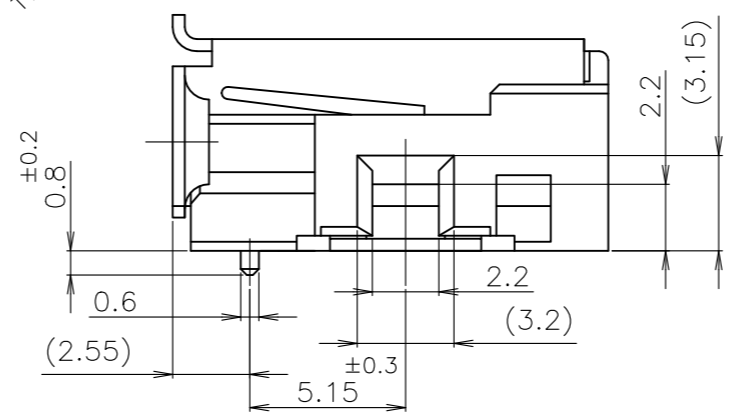
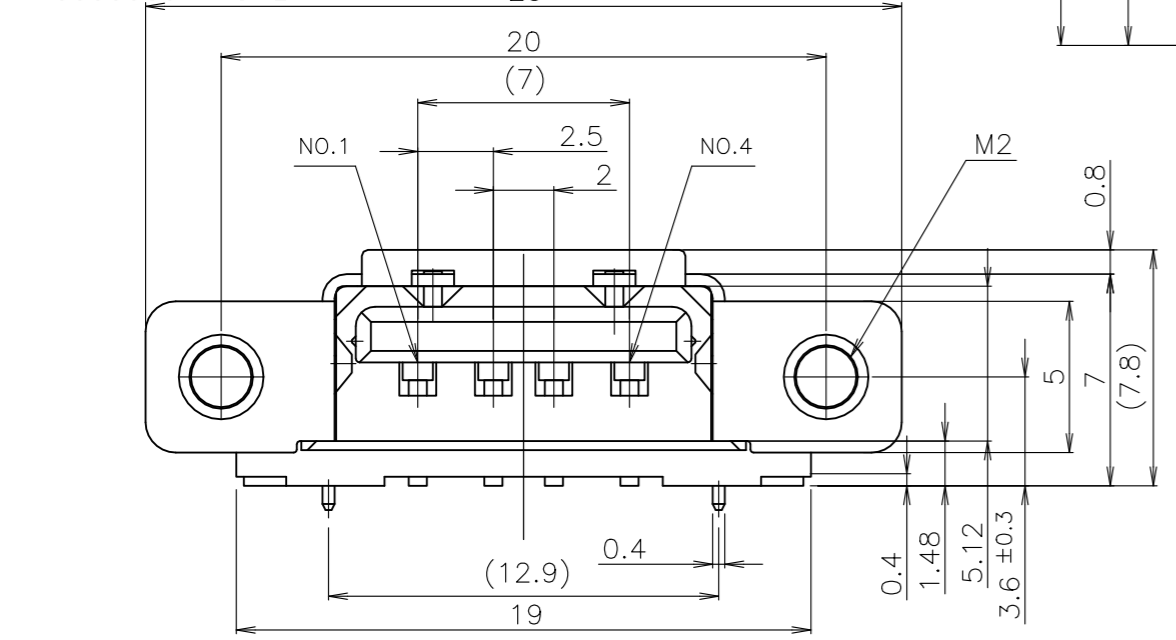
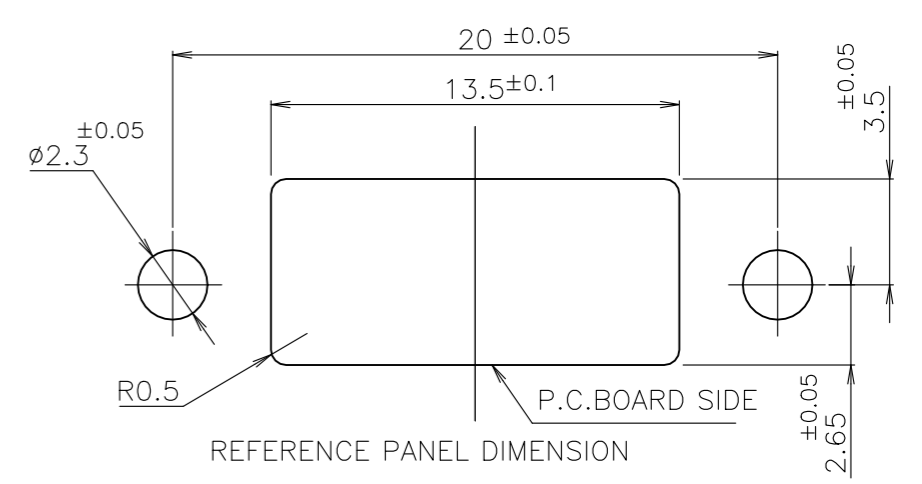
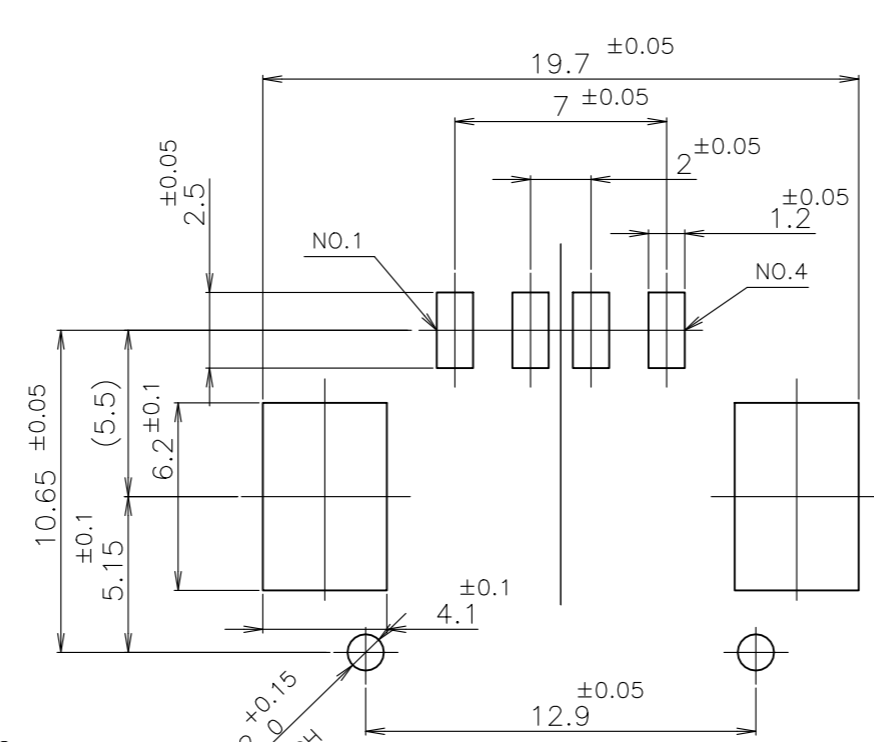
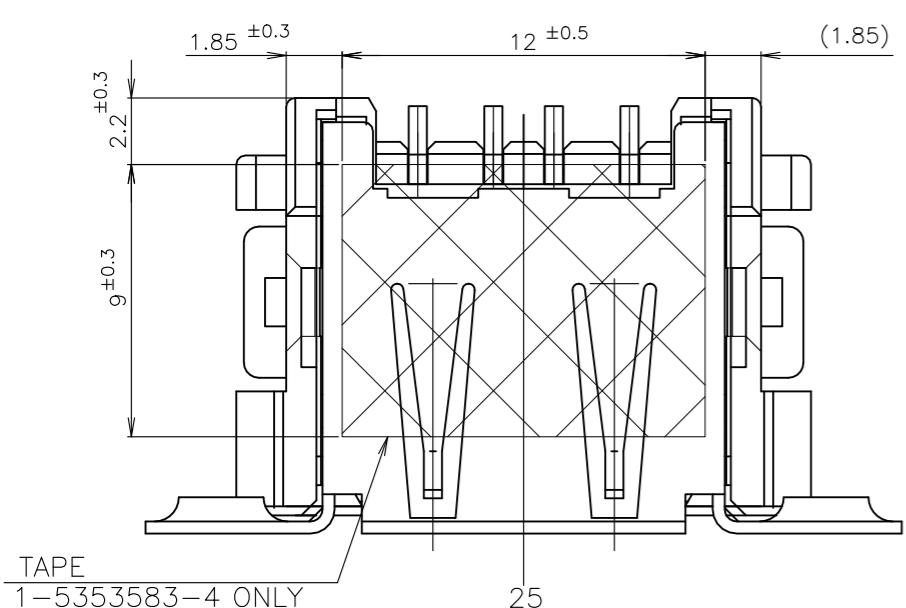
OBSELETE	WITH TAPE	BLACK	1-5353583-4
OBSELETE	WITH OUT TAPE	BLACK	5353583-4
	PRELIMINARY NOT FOR PRODUCTION	WHITE	5353583-3
	PRELIMINARY NOT FOR PRODUCTION	BLACK	5353583-2
	WITH TAPE	WHITE	1-5353583-1
OBSELETE	WITH OUT TAPE	WHITE	5353583-1
	REMARKS	HOUSING COLOR	PART NO.

THIS DRAWING IS A CONTROLLED DOCUMENT.

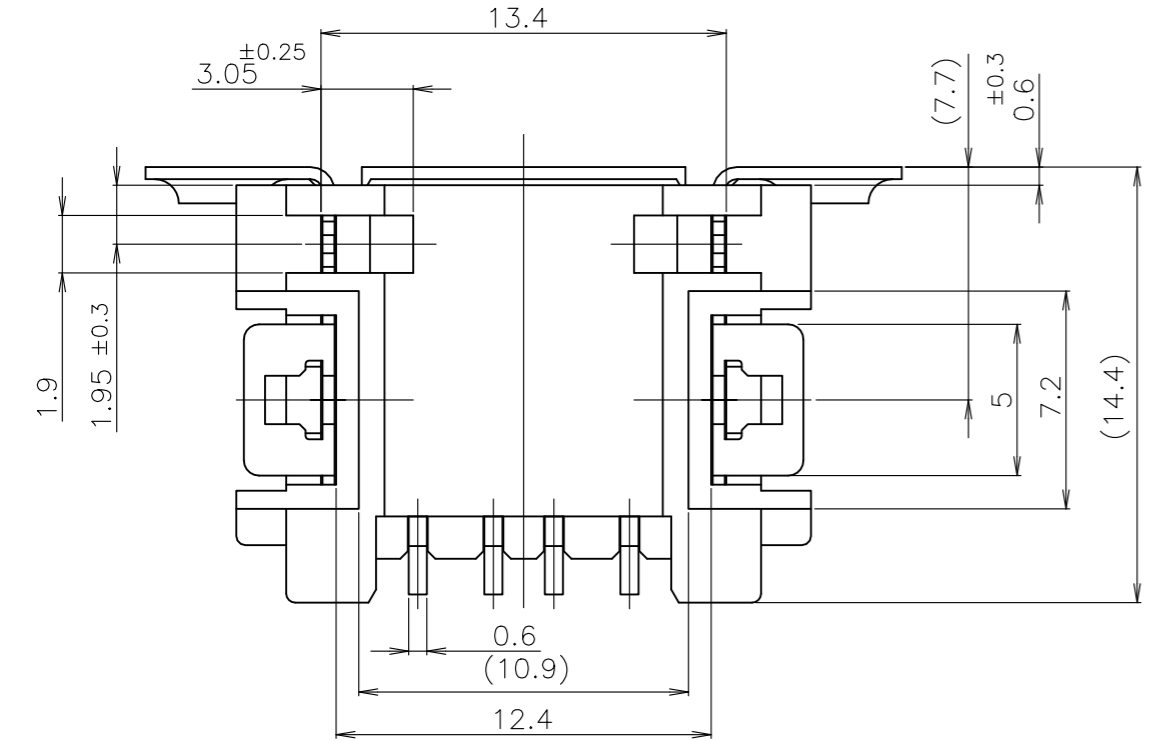
DIMENSIONS: MM	TOLERANCES UNLESS OTHERWISE SPECIFIED:	DWN J.JIANG 23MAR04	TE Connectivity Ltd.
Ø	0 PLC ±	CHK S.YAO 23MAR04	
	1 PLC ±	APVD T.SASAKI 23MAR04	
	2 PLC ±	NAME	
	3 PLC ±	PRODUCT SPEC	RECEPTACLE ASS'Y R/A SMT STANDARD TYPE USB CONNECTOR
	4 PLC ±	APPLICATION SPEC	SIZE CAGE CODE DRAWING NO RESTRICTED TO
	ANGLES ±	WEIGHT	A3 00779 C-5353583
MATERIAL	FINISH	CUSTOMER DRAWING	SCALE 4:1 SHEET 1 OF 2 REV B

© - TE Connectivity. All Rights Reserved.

REVISIONS					
P	LTR	DESCRIPTION	DATE	DWN	APVD
-	-	SEE SHEET 1	-	-	-



- MATERIAL & FINISH**
 CONTACT: COPPER ALLOY
 Au PL. ON Pd-Ni PL. AT CONTACT AREA OVER Ni PL.
 MATTE TIN PL. AT TINE AREA OVER Ni PL.
 HOUSING: THERMO-PLASTICS, UL94V-0
 SHELL : COPPER ALLOY, TIN PL.
- 2 GENERAL TOLERANCE**
 10 ≥ : ± 0.2
 30 ≥ > 10 : ± 0.25
 100 ≥ > 30 : ± 0.3
 ANGLES : ± 5°
- 3. MATERIAL/PARTS WHICH ARE CONTAINED THE PROHIBITION SUBSTANCE FOR ENVIRONMENTAL RELATED SUBSTANCE CONTROL STANDARD EN-022 (ENVIRONMENT RELATED SUBSTANCE) MUST NOT USE IN PRODUCT AND MANUFACTURING PROCESS**
- 4. CADMIUM CONTENT: 5ppm UNDER**



5353583-3,4

THIS DRAWING IS A CONTROLLED DOCUMENT.		DWN	STE TE Connectivity Ltd.		
DIMENSIONS: MM		CHK			
TOLERANCES UNLESS OTHERWISE SPECIFIED:		APVD	NAME		
0 PLC	±	PRODUCT SPEC	RECEPTACLE ASS'Y R/A SMT STANDARD TYPE USB CONNECTOR		
1 PLC	±	APPLICATION SPEC	SIZE	CAGE CODE	DRAWING NO
2 PLC	±		A3	00779	C-5353583
3 PLC	±		RESTRICTED TO		
4 PLC	±		CUSTOMER DRAWING		
ANGLES	±	WEIGHT	SCALE	SHEET	REV
FINISH	±		4:1	2 OF 2	B