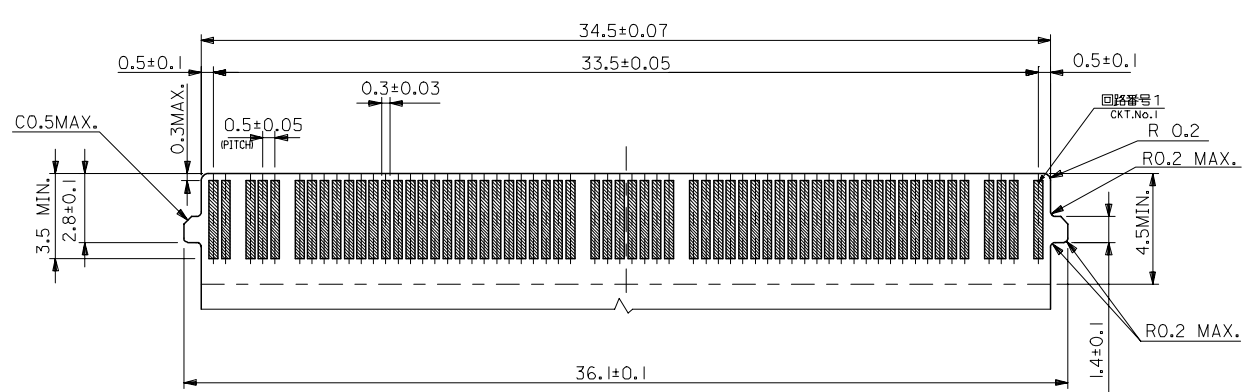
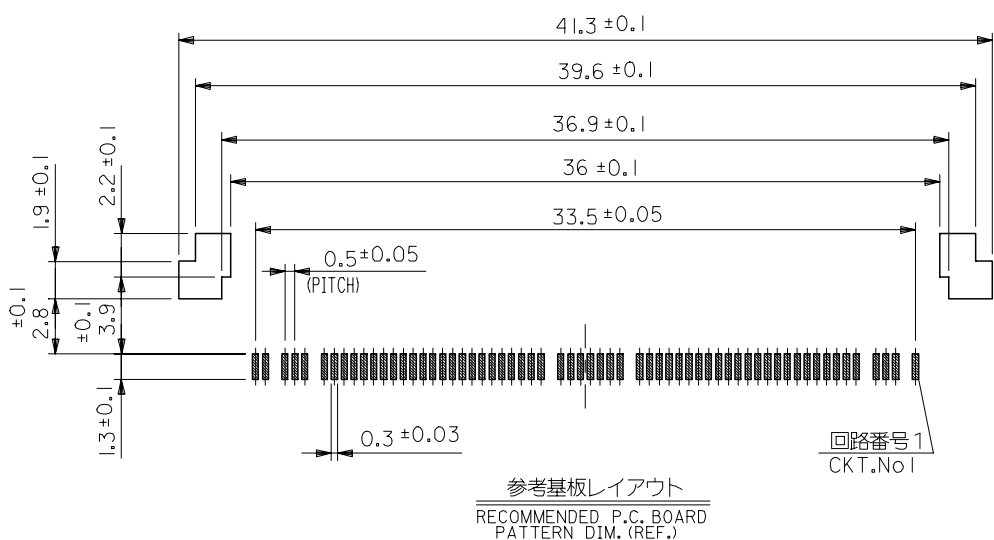


500518-**-19	500518-6819	68
MODEL NO.	MATERIAL NO.	CIRCUITS
SCALE 5:1	DESIGN UNITS METRIC	THIRD ANGLE PROJECTION

RELEASED EC NO: J2006-1303 DRWN: NABE1 2005/11/25 CHKD: KTOYODA 2005/11/28 APPR: NUKITA 2005/11/30	GENERAL TOLERANCES (UNLESS SPECIFIED)		DIMENSION STYLE MM ONLY		SCALE 5:1	DESIGN UNITS METRIC	THIRD ANGLE PROJECTION
	10 UNDER	±0.2	DRAWN BY M. NABE1	DATE '05/10/20	TITLE 0.5 FPC CONN E/O R/A HSG ASS'Y -LEAD FREE-		
	10 OVER 30 UNDER	±0.25	CHECKED BY K. TOYODA	DATE '05/10/20			
	30 OVER	±0.3	APPROVED BY N. UKITA	DATE '05/10/20	MOLEX INCORPORATED		
	ANGULAR	±3 °	MATERIAL NO.	DOCUMENT NO. SD-500518-001			
0	DRAFT WHERE APPLICABLE MUST REMAIN WITHIN DIMENSIONS		SEE CHART		THIS DRAWING CONTAINS INFORMATION THAT IS PROPRIETARY TO MOLEX INCORPORATED AND SHOULD NOT BE USED WITHOUT WRITTEN PERMISSION		

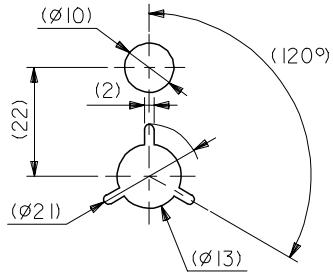
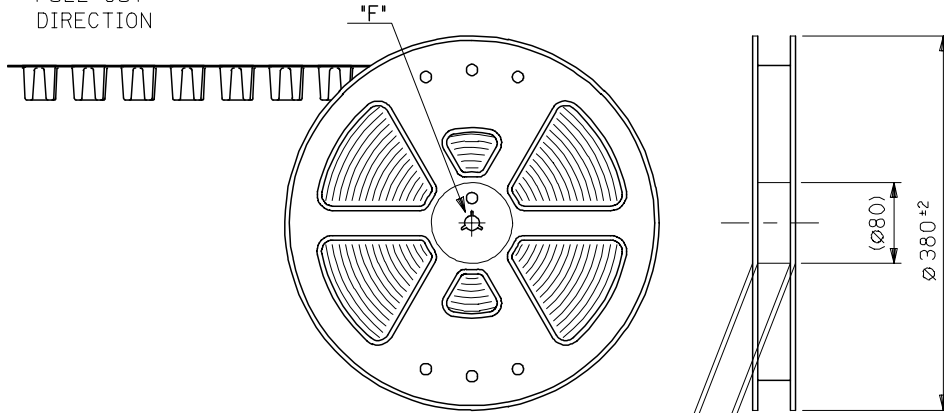


- 注記  
NOTE
- 材質  
MATERIAL  
ハウジング: グラス入り耐熱樹脂 UL94V-0, GRASS FULLED HEAT-RESISTED RESIN, UL94V-0  
ハウジング: GRASS FULLED HEAT-RESISTED RESIN, UL94V-0  
アクチュエータ: グラス入り耐熱樹脂 UL94V-0, GRASS FULLED HEAT-RESISTED RESIN, UL94V-0  
アクチュエータ: GRASS FULLED HEAT-RESISTED RESIN, UL94V-0  
ターミナル: 銅合金 COPPER ALLOY  
ターミナル: COPPER ALLOY  
ネイル: 銅合金 COPPER ALLOY  
ネイル: COPPER ALLOY
  - めっき仕様  
PLATING  
ターミナル: 錫ビスマスめっき TIN-BISMUTH  
ターミナル: TIN-BISMUTH  
下地ニッケルめっき UNDER-PLATING NICKEL (NI)  
下地ニッケルめっき UNDER-PLATING NICKEL (NI)  
ネイル: 錫めっき TIN  
ネイル: TIN  
下地ニッケルめっき UNDER-PLATING NICKEL (NI)  
下地ニッケルめっき UNDER-PLATING NICKEL (NI)
  - 適用電線  
APPLICABLE CABLE  
厚さ 0.1mm の FPC ケーブル  
FPC CABLE OF 0.1mm IN THICKNESS
  - ターミナル及びネイルの平坦度は 0.1 MAX. とする。  
TERMINAL AND NAIL COPLANARITY TO BE 0.1 MAX.
  - ターミナルは、回路番号 2, 6, 30, 38, 62, 66 を抜く。  
TERMINAL VOID CKT.No. 2, 6, 30, 38, 62, 66.

△ 適合 FPC 推奨寸法  
APPLICABLE FPC  
RECOMMENDED DIMENSION  
(仕上がり厚さ: 0.1 ± 0.03)  
(THICKNESS: 0.1 ± 0.03)

RELEASED EC NO: J2006-1303 DRW: MABE1 2005/11/25 CHK: KTOYODA 2005/11/28 APP: NUKITA 2005/11/30	DESCRIPTION	GENERAL TOLERANCES (UNLESS SPECIFIED)		DIMENSION STYLE MM ONLY		SCALE ---	500518-xx19	MODEL NO.
		10 UNDER	± 0.2	DRAWN BY M. NABE1	DATE '05/10/20	TITLE 0.5 FPC CONN E/O R/A HSG ASS'Y -LEAD FREE-	DESIGN UNITS METRIC	THIRD ANGLE PROJECTION
		10 OVER 30 UNDER	± 0.25	CHECKED BY K. TOYODA	DATE '05/10/20	MOLEX INCORPORATED		
		30 OVER	± 0.3	APPROVED BY N. UKITA	DATE '05/10/20			
		ANGULAR	± 3 °	MATERIAL NO. SEE CHART	DOCUMENT NO. SD-500518-001	SHEET NO. 2 OF 2		
		DRAFT WHERE APPLICABLE MUST REMAIN WITHIN DIMENSIONS		SIZE A3	THIS DRAWING CONTAINS INFORMATION THAT IS PROPRIETARY TO MOLEX INCORPORATED AND SHOULD NOT BE USED WITHOUT WRITTEN PERMISSION			

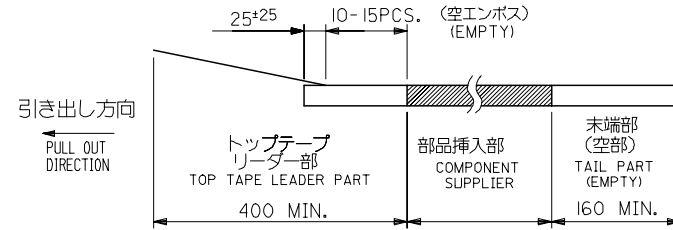
引き出し方向  
PULL OUT  
DIRECTION



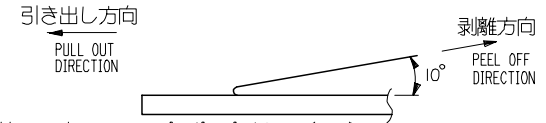
DETAIL "F"

- NOTES
- 梱包数量：800個/リール  
NUMBER OF CONNECTORS : 800PCS/REEL
  - リードテープ長さ  
LEAD TAPE LENGTH

トップテープ 未接着部  
TOP TAPE NON-BONDED PART



- トップテープの剥離強度：0.6±0.35N (60±35gf)  
 <剥離速度：300mm/min (参考)> (剥離方向は下図参照)  
 PEELING OFF FORCE OF TOP TAPE : 0.6±0.35N (60±35gf)  
 (PEELING DIRECTION AS SHOWN IN FOLLOWING FIG.)  
 PEELING OFF SPEED : 300mm/min. (REF.)



- 材料  
 キャリアテープ：ポリプロピレン (PP)  
 トップテープ：PET、PE、PEF  
 リール：ポリスチレン (PS) <リサイクル材を含む>  
 MATERIAL CARRIER TAPE : POLYPROPYLENE  
 TOP TAPE : PET, PE, PEF  
 REEL : POLYSTYRENE (PS) <RECYCLE MATERIAL CONTAINED>

- 欠損無きこと。  
THERE MUST NOT BE LOSS.
- コネクタ番号：500518-6819  
CONNECTOR No. : 500518-6819

500518-xx70	500518-6870	6.8
MODEL NO.	製品番号	極数
	MATERIAL NO.	CKT.

RELEASED EC NO: J2006-3308 DRWN: AOYAGI 2006/04/24 CHKD: TANAKA 2006/04/24 APPR: NUKITA 2006/04/25	GENERAL TOLERANCES (UNLESS SPECIFIED)		DIMENSION STYLE MM ONLY		SCALE 5:1	DESIGN UNITS METRIC	THIRD ANGLE PROJECTION	
	10 UNDER	±0.2	DRAWN BY M. NABEI	DATE '05/10/20	TITLE 0.5MM FPC CONN E/O R/A EMBSTP PKG -LEAD FREE-			
	10 OVER 30 UNDER	±0.25	CHECKED BY K. TOYODA	DATE '05/10/20				
	30 OVER	±0.3	APPROVED BY N. UKITA	DATE '05/10/20	MOLEX INCORPORATED			
ANGULAR	±3 °	MATERIAL NO. SEE CHART		DOCUMENT NO. SD-500518-002		SHEET NO. 1 OF 2		
DRAFT WHERE APPLICABLE MUST REMAIN WITHIN DIMENSIONS		SIZE A3		THIS DRAWING CONTAINS INFORMATION THAT IS PROPRIETARY TO MOLEX INCORPORATED AND SHOULD NOT BE USED WITHOUT WRITTEN PERMISSION				

10 9 8 7 6 5 4 3 2 1

F

E

D

C

B

A

F

E

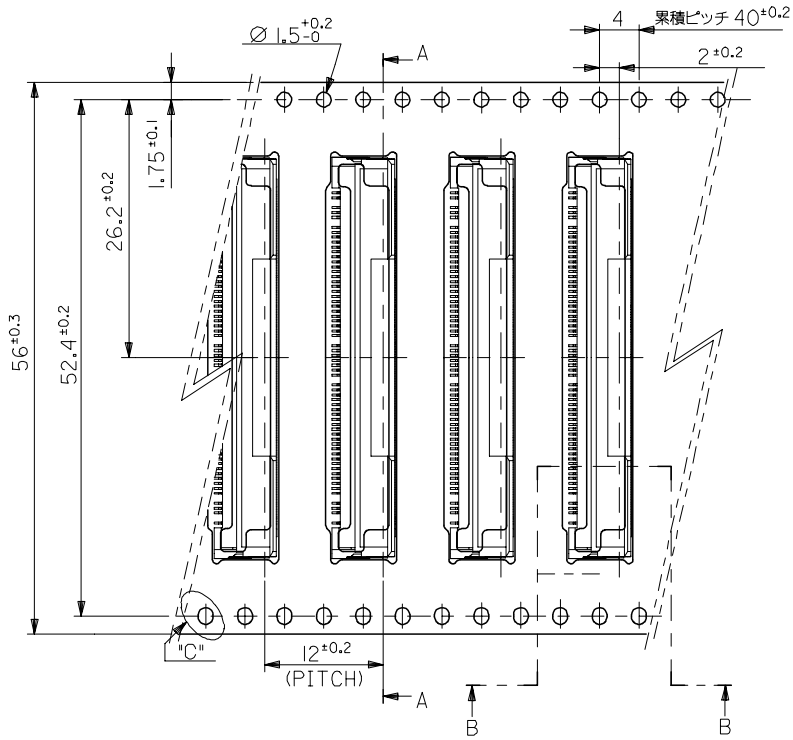
D

C

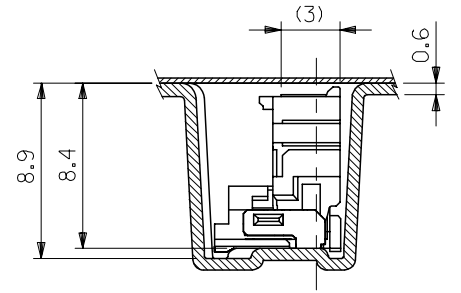
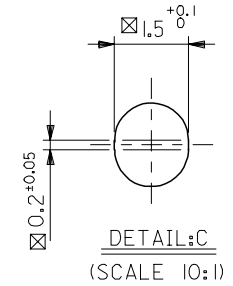
B

A

引き出し方向  
PULL OUT DIRECTION



SECT:A-A



SECT:B-B  
(SCALE 4:1)

RELEASED EC NO: J2006-3308 DRWN: AYOYAGI 2006/04/24 CHKD: TANAKA 2006/04/24 APPR: NUKITA 2006/04/25	GENERAL TOLERANCES (UNLESS SPECIFIED)		DIMENSION STYLE MM ONLY		SCALE 2:1	DESIGN UNITS METRIC	MODEL NO. 500518-**-70		THIRD ANGLE PROJECTION	
	10 UNDER ±0.2	10 OVER 30 UNDER ±0.25	30 OVER ±0.3	ANGULAR ±3 °	DRAWN BY M. NABEI	DATE '05/10/20	TITLE 0.5MM FPC CONN E/O R/A EMBSTP PKG -LEAD FREE-			
	DRAFT WHERE APPLICABLE MUST REMAIN WITHIN DIMENSIONS			SEE CHART	APPROVED BY N. UKITA	DATE '05/10/20	MOLEX INCORPORATED		DOCUMENT NO. SD-500518-002	SHEET NO. 2 OF 2
	THIS DRAWING CONTAINS INFORMATION THAT IS PROPRIETARY TO MOLEX INCORPORATED AND SHOULD NOT BE USED WITHOUT WRITTEN PERMISSION				MATERIAL NO.		SIZE A3			

9

8

7

6

5

4

3

2