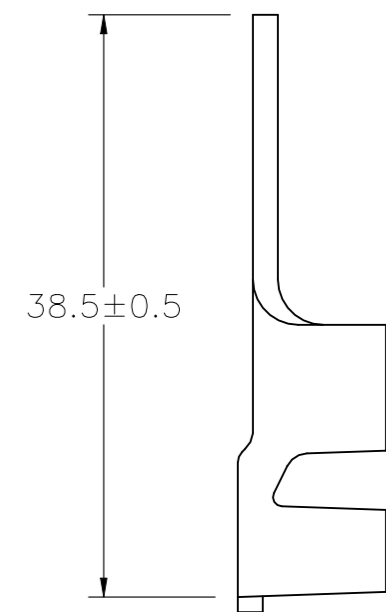
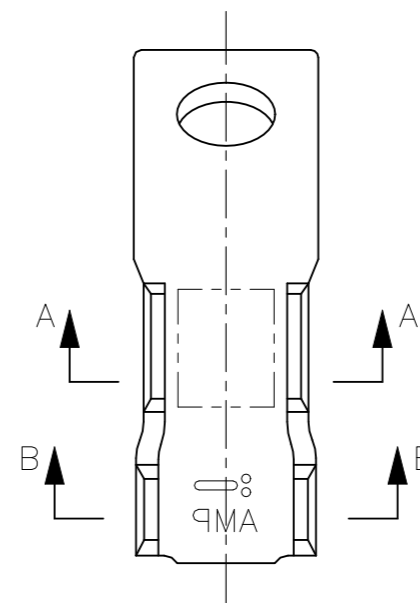
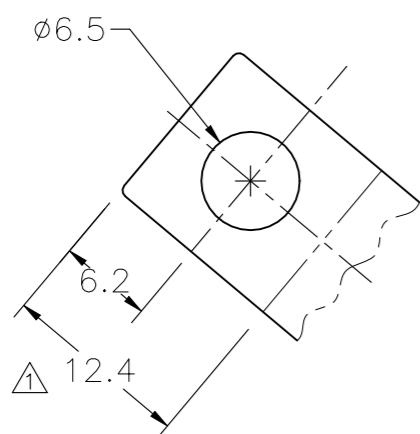
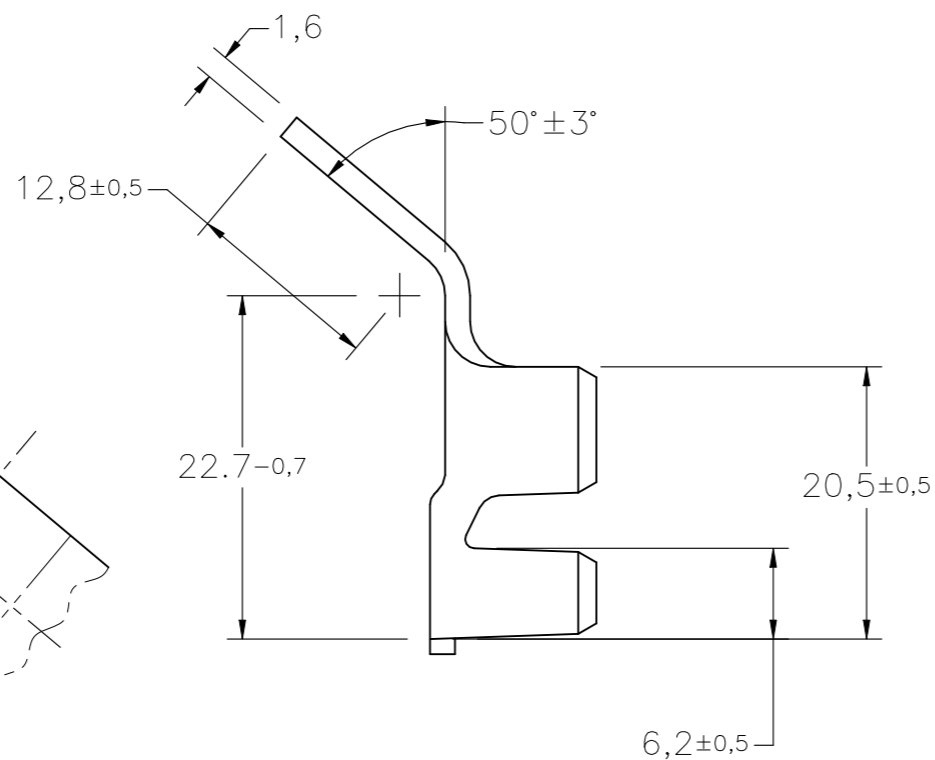
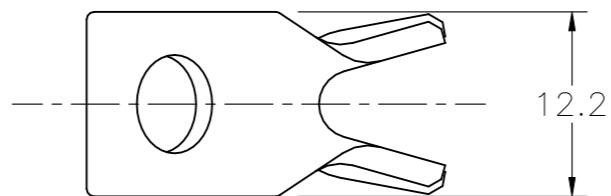


CAD
AutoCAD
DO NOT REVISE
EXCEPT BY CAD

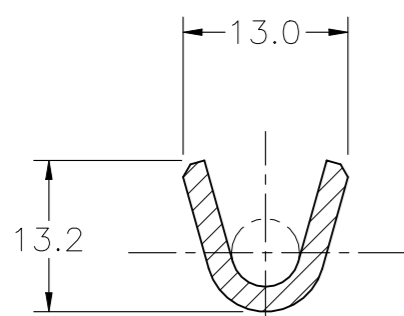
REVISIONS					
P	LTR	DESCRIPTION	DATE	DWN	APVD
	F1	REVISED PER ECN-22-166554	19OCT2022	AP	AB



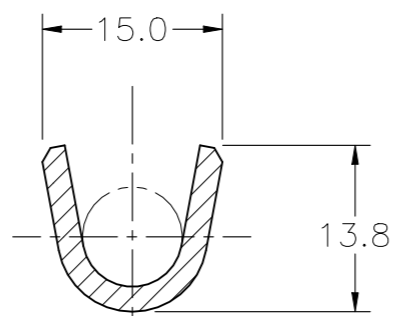
Ⓣ APENAS PARA -2
FOR -2 ONLY

Ⓣ - ÁREA PLANA MIN.

Ⓣ - FLAT AREA MIN.



SECTION A-A



SECTION B-B

OBSOLETE	ESTANHADO / TIN PLATED	LATÃO / BRASS	1380258-2
Ⓣ	ESTANHADO / TIN PLATED	LATÃO / BRASS	1380258-1

WIRE RANGE (mm ²)	16,0 - 20,0	INSUL. RANGE (Ø mm)	8,8 - 9,0	FINISH	MATERIAL	PART NUMBER
THIS DRAWING IS A CONTROLLED DOCUMENT.				DWN	M.R.BRIZ 03JUL01	
				CHK	P.L.FARIA 03JUL01	
				APVD	J.MARSON 03JUL01	
				PRODUCT SPEC	NAME	
				APPLICATION SPEC	-	
				SIZE	CAGE CODE	DRAWING NO
				WEIGHT	A300779	C-1380258
MATERIAL				RESTRICTED TO		
SEE TABLE				-		
FINISH				SCALE		
SEE TABLE				2:1		
CUSTOMER DRAWING				SHEET		
				1 OF 1		
				REV		
				F1		



TERMINAL RING TONGUE