

Voltage Detector (Reset) IC Series for Automotive Application

Free Time Delay Setting CMOS Voltage Detector (Reset) IC

BD52xxNVX-2C Series BD5320NVX-2C

General Description

ROHM's Free Time Delay Setting CMOS Voltage Detector ICs are highly accurate, with ultra-low current consumption feature that uses CMOS process. Delay time setting can be control by an external capacitor. The lineup includes N-channel open drain output (BD52xxNVX-2C) and CMOS output (BD5320NVX-2C). The devices are available for specific detection voltage is 1.4 V, 1.6 V, 2.0 V, 2.6 V to 3.1 V (0.1 V step).

The time delay has $\pm 50\%$ accuracy in the overall operating temperature range of $-40\text{ }^{\circ}\text{C}$ to $125\text{ }^{\circ}\text{C}$.

Features

- AEC-Q100 Qualified (Note 1)
- Nano Energy™
- Delay Time Setting Controlled by External Capacitor
- Two output types (Nch open drain and CMOS output)
- Miniature Surface-mount Package

(Note 1) Grade 1

Typical Application Circuit

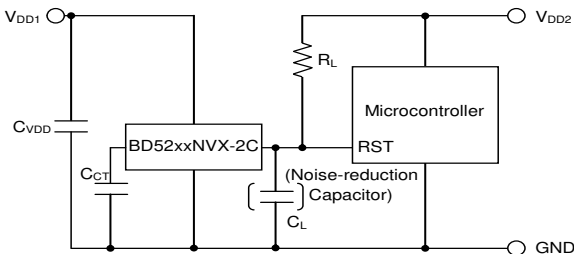
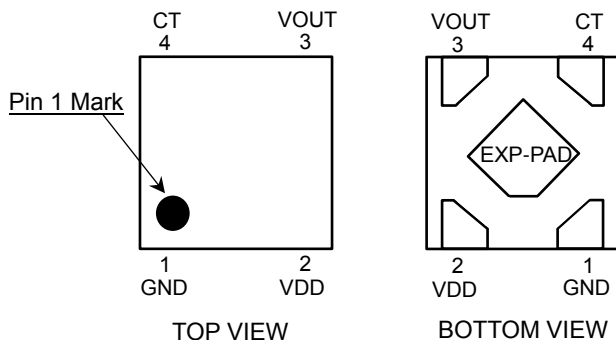


Figure 1. Open Drain Output Type
BD52xxNVX-2C Series

Pin Configuration

SSON004R1010



Key Specifications

- Detection Voltage: 1.4 V, 1.6 V, 2.0 V, 2.6 V, 2.7 V, 2.8 V, 2.9 V, 3.0 V, 3.1 V (Typ)
- Ultra-Low Current Consumption: 270 nA (Typ)
- Time Delay Accuracy: $\pm 50\%$ ($-40\text{ }^{\circ}\text{C}$ to $+125\text{ }^{\circ}\text{C}$, CT pin capacitor $\geq 1\text{ nF}$)

Special Characteristics

- Detection Voltage Accuracy: $\pm 3.0\% \pm 12\text{ mV}$ ($V_{\text{DET}}=1.4\text{ V}, 1.6\text{ V}$)
 $\pm 2.5\%$ ($V_{\text{DET}}=2.0\text{ V}, 2.6\text{ V to } 3.1\text{ V}$)

Package

SSON004R1010:

W(Typ) x D(Typ) x H(Max)
1.00 mm x 1.00 mm x 0.60 mm



Application

All automotive devices that requires voltage detection

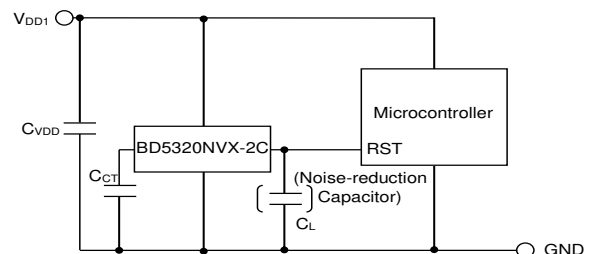


Figure 2. CMOS Output Type
BD5320NVX-2C

Pin Description

SSON004R1010		
PIN No.	PIN NAME	Function
1	GND	GND
2	VDD	Power supply voltage
3	VOUT	Output pin
4	CT	Capacitor connection pin for output delay time setting
-	EXP-PAD	Same potential with substrate voltage (V_{DD}), it is recommended to connect to V_{DD} or can be left open

Nano Energy™ is a trademark or a registered trademark of ROHM Co., Ltd.

○Product structure : Silicon integrated circuit ○This product has no designed protection against radioactive rays.

www.rohm.com

© 2018 ROHM Co., Ltd. All rights reserved.
TSZ22111 • 14 • 001

Block Diagram

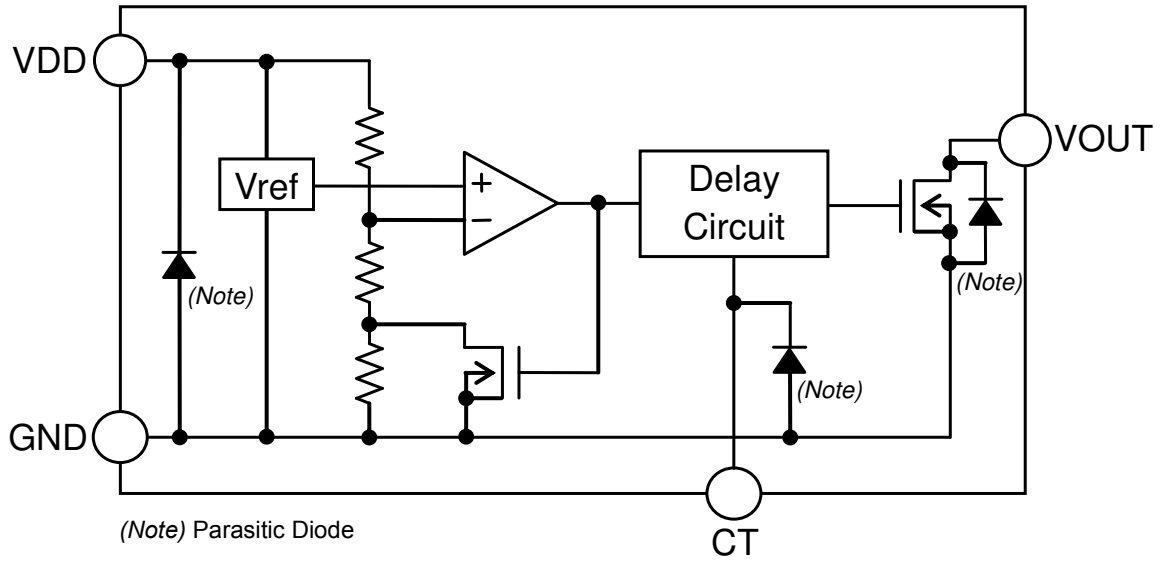


Figure 3. BD52xxNVX-2C Series

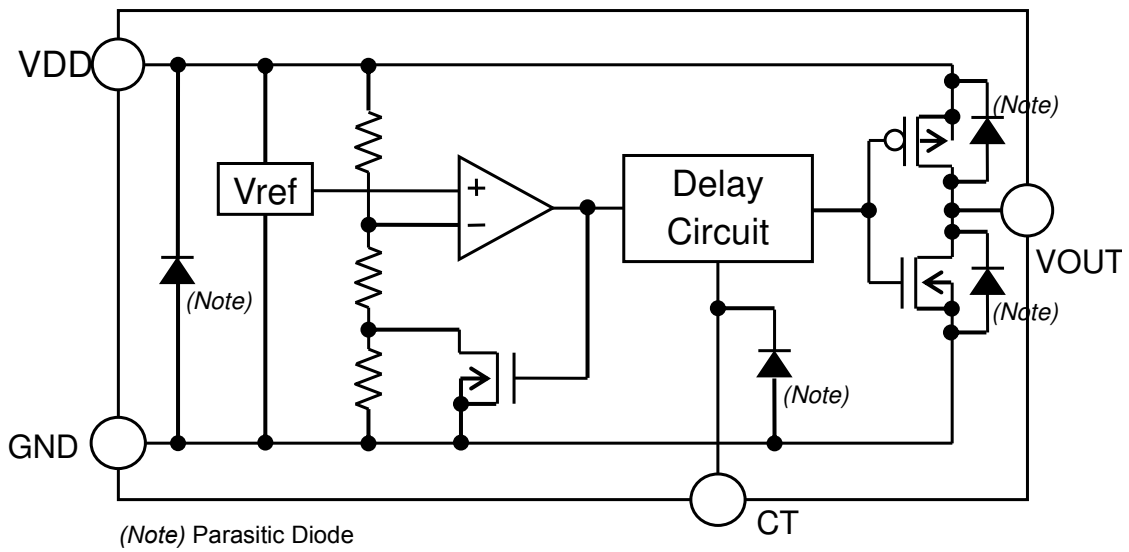
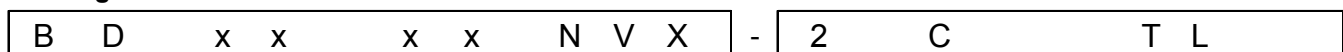


Figure 4. BD5320NVX-2C

Ordering Information



Output Type
52 : Open Drain
53 : CMOS

Detection Voltage
14 : 1.4 V
16 : 1.6 V
20 : 2.0 V
26 : 2.6 V
↓ 0.1 V step
31 : 3.1 V

Package
NVX : SSON004R1010

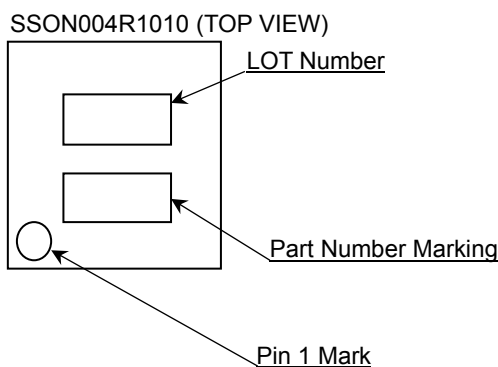
Product Rank
C : for Automotive

Packing and Forming Specification
TL : Embossed tape and reel

Lineup

Output Type	Open Drain		CMOS	
Detection Voltage	Marking	Part Number	Marking	Part Number
3.1 V	6l	BD5231NVX	-	-
3.0 V	5l	BD5230NVX	-	-
2.9 V	4l	BD5229NVX	-	-
2.8 V	3l	BD5228NVX	-	-
2.7 V	2l	BD5227NVX	-	-
2.6 V	1l	BD5226NVX	-	-
2.0 V	-	-	nl	BD5320NVX
1.6 V	g	BD5216NVX	-	-
1.4 V	e	BD5214NVX	-	-

Marking Diagram



Absolute Maximum Ratings (Ta=25 °C)

Parameter	Symbol	Limit	Unit
Power Supply Voltage	V _{DD} - GND	-0.3 to +7	V
Output Voltage	Nch Open Drain Output CMOS Output	V _{OUT}	GND-0.3 to +7
			GND-0.3 to V _{DD} +0.3
Output Current	I _o	70	mA
Maximum Junction Temperature	T _{jmax}	+150	°C
Storage Temperature Range	T _{stg}	-55 to +150	°C

Caution 1: Operating the IC over the absolute maximum ratings may damage the IC. The damage can either be a short circuit between pins or an open circuit between pins and the internal circuitry. Therefore, it is important to consider circuit protection measures, such as adding a fuse, in case the IC is operated over the absolute maximum ratings.

Caution 2: Should by any chance the maximum junction temperature rating be exceeded the rise in temperature of the chip may result in deterioration of the properties of the chip. In case of exceeding this absolute maximum rating, design a PCB with thermal resistance taken into consideration by increasing board size and copper area so as not to exceed the maximum junction temperature rating.

Thermal Resistance(Note 1)

Parameter	Symbol	Thermal Resistance (Typ)		Unit
		1s ^(Note 3)	2s2p ^(Note 4)	
SSON004R1010				
Junction to Ambient	θ _{JA}	450.2	97.1	°C/W
Junction to Top Characterization Parameter ^(Note 2)	Ψ _{JT}	99	22	°C/W

(Note 1) Based on JESD51-2A(Still-Air).

(Note 2) The thermal characterization parameter to report the difference between junction temperature and the temperature at the top center of the outside surface of the component package.

(Note 3) Using a PCB board based on JESD51-3.

(Note 4) Using a PCB board based on JESD51-5, 7.

Layer Number of Measurement Board	Material	Board Size
Single	FR-4	114.3 mm x 76.2 mm x 1.57 mmt

Top	
Copper Pattern	Thickness
Footprints and Traces	70 μm

Layer Number of Measurement Board	Material	Board Size	Thermal Via ^(Note 5)	
			Pitch	Diameter
4 Layers	FR-4	114.3 mm x 76.2 mm x 1.6 mmt	1.20 mm	Φ0.30 mm

Top		2 Internal Layers		Bottom	
Copper Pattern	Thickness	Copper Pattern	Thickness	Copper Pattern	Thickness
Footprints and Traces	70 μm	74.2 mm x 74.2 mm	35 μm	74.2 mm x 74.2 mm	70 μm

(Note 5) This thermal via connects with the copper pattern of layers 1,2, and 4. The placement and dimensions obey a land pattern.

Function Explanation

1. Nano Energy™

Nano Energy™ is a combination of technologies which realizes ultra low quiescent current operation.

Recommended Operating Conditions

Parameter	Symbol	Min	Typ	Max	Unit
Operating Temperature	Topr	-40	+25	+125	°C

Electrical Characteristics (Unless otherwise specified Ta=-40 °C to +125 °C, VDD=0.8 V to 6.0 V)

Parameter	Symbol	Condition	Limit			Unit
			Min	Typ	Max	
Detection Voltage	V _{DET}	V _{DET} =1.4 V, 1.6 V, V _{DD} =H→L, R _L =100 kΩ (Note 2)	V _{DET} (T) ×0.97 -0.012	V _{DET} (T) (Note 1)	V _{DET} (T) ×1.03 +0.012	V
		V _{DET} =2.0 V~3.1 V, V _{DD} =H→L, R _L =100 kΩ (Note 2)	V _{DET} (T) ×0.975	V _{DET} (T) (Note 1)	V _{DET} (T) ×1.025	
Hysteresis Voltage	Δ V _{DET}	V _{DD} =L→H→L, R _L =100 kΩ	V _{DET} ×0.035	V _{DET} ×0.05	V _{DET} ×0.065	V
Circuit Current when ON	I _{DD1}	V _{DD} =V _{DET} -0.2 V	-	0.23	1.50	μA
Circuit Current when OFF	I _{DD2}	V _{DD} =V _{DET} +0.5 V	-	0.27	1.60	μA
Minimum Operating Voltage	V _{OPL}	V _{OL} ≤0.4 V, R _L =100 kΩ (Note 2)	0.80	-	-	V
"Low" Output Voltage(Nch)	V _{OL}	V _{DD} =0.8 V, I _{SINK} =0.17 mA, V _{DET} =1.4 V, 1.6 V	-	-	0.4	V
		V _{DD} =1.2 V, I _{SINK} =1.0 mA, V _{DET} =2.0 V to 3.1 V	-	-	0.4	
		V _{DD} =2.4 V, I _{SINK} =2.0 mA, V _{DET} =2.6 V to 3.1 V	-	-	0.4	
"High" Output Voltage(Pch)	V _{OH}	V _{DD} =4.8 V, I _{SOURCE} =2.0 mA, V _{DET} =2.0 V	V _{DD} -0.4	-	-	V
		V _{DD} =6.0 V, I _{SOURCE} =2.5 mA, V _{DET} =2.0 V	V _{DD} -0.4	-	-	
Output Leak Current	I _{leak}	V _{DD} =V _{DS} =6 V	-	-	1.0	μA
Delay Time(L→H)	t _{PLH}	V _{OUT} =GND→50 %, C _{CT} =0.01 μF (Note 3) (Note 4)	27.7	55.5	83.2	ms

(Note 1) V_{DET}(T): Standard Detection Voltage (1.4 V, 1.6 V, 2.0 V, 2.6 V, 2.7 V, 2.8 V, 2.9 V, 3.0 V, 3.1 V)

(Note 2) R_L: Pull-up resistor connected between V_{OUT} and power supply

(Note 3) t_{PLH}: V_{DD}=(V_{DET}(T)-0.5 V) → (V_{DET}(T)+0.5 V) for V_{DET}=1.4 V, 1.6 V, 2.0 V, 2.6 V, 2.7 V, 2.8 V, 2.9 V, 3.0 V, 3.1 V

(Note 4) C_T delay capacitor range: open to 4.7 μF

Typical Performance Curves

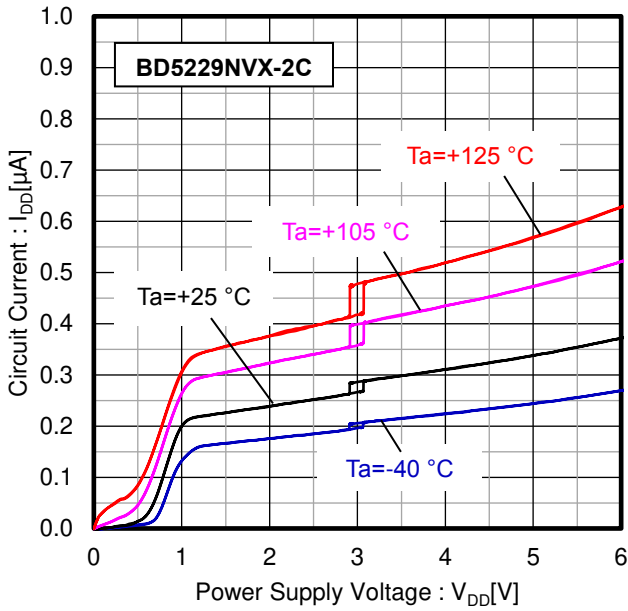


Figure 5. Circuit Current vs Power Supply Voltage

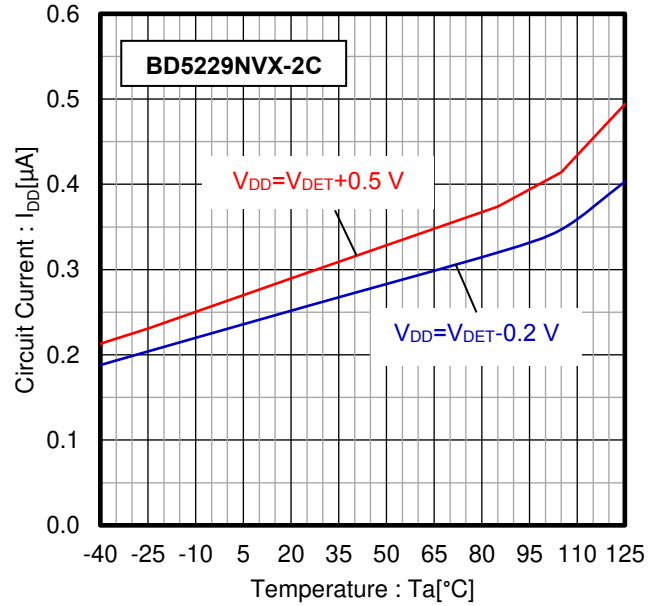


Figure 6. Circuit Current vs Temperature

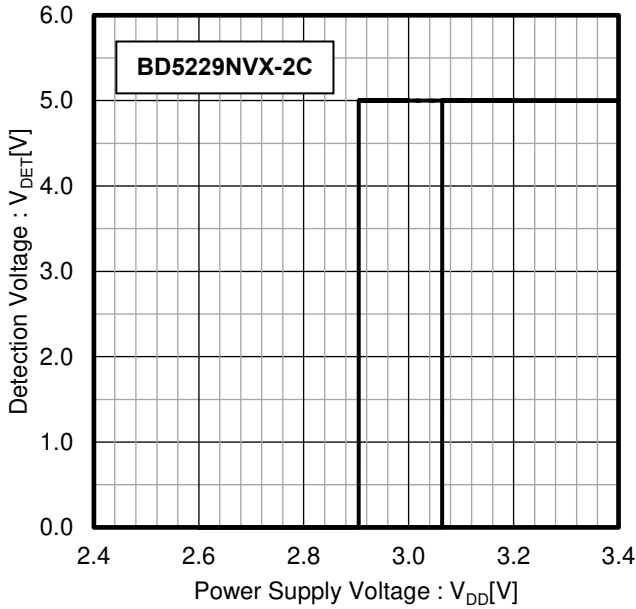


Figure 7. Detection Voltage vs Power Supply Voltage

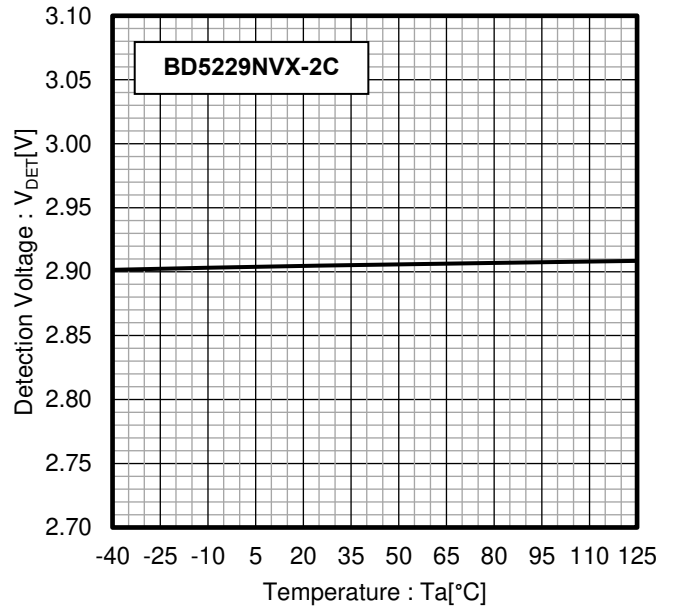


Figure 8. Detection Voltage vs Temperature

Typical Performance Curves - continued

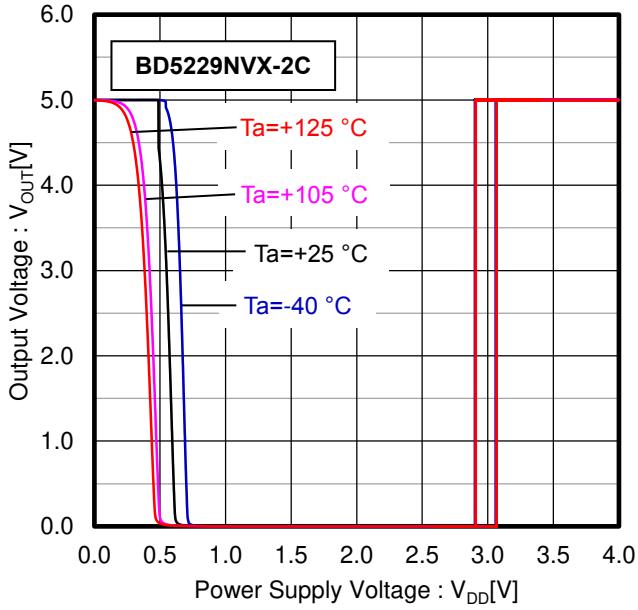


Figure 9. I/O Characteristics
(VOUT Pull-up to 5 V, RL=100 kΩ)

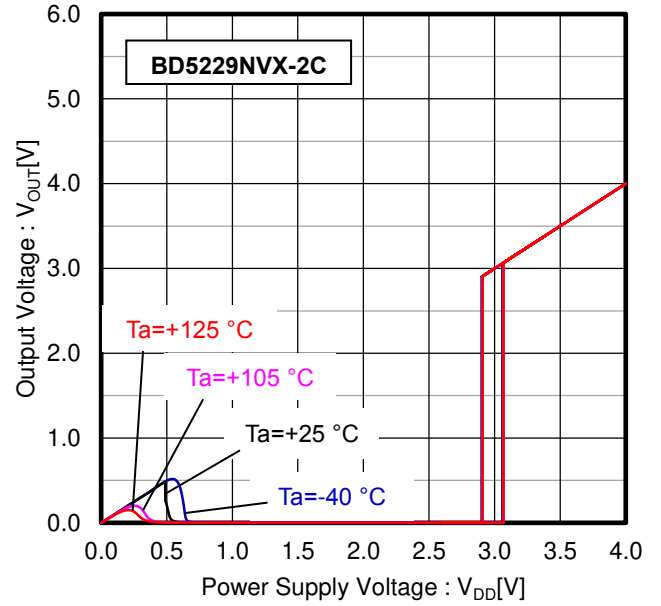


Figure 10. I/O Characteristics
(VOUT Pull-up to VDD, RL=100 kΩ)

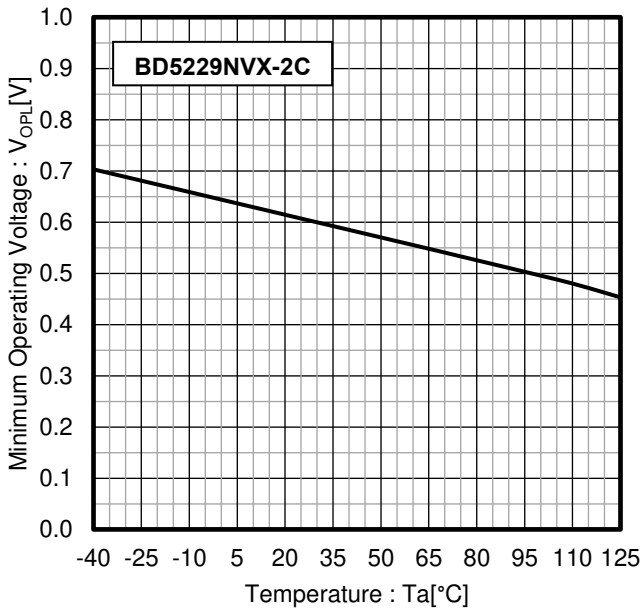


Figure 11. Minimum Operating Voltage vs Temperature
(VOUT Pull-up to 5 V, RL=100 kΩ)

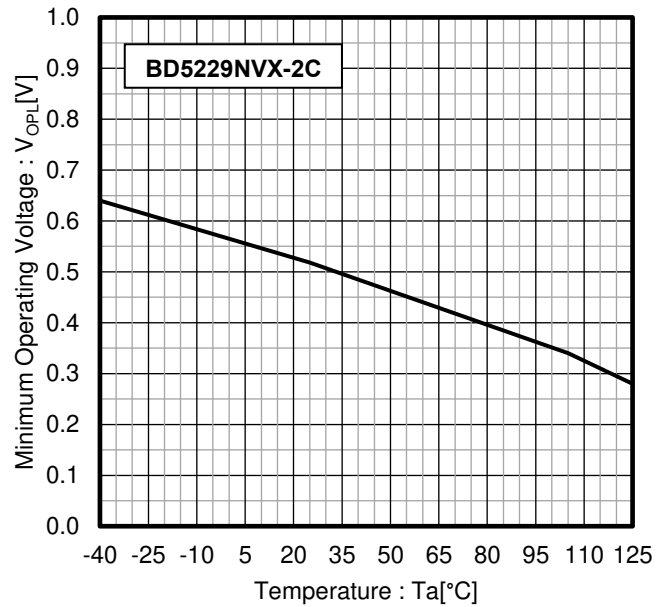


Figure 12. Minimum Operating Voltage vs Temperature
(VOUT Pull-up to VDD, RL=100 kΩ)

Typical Performance Curves - continued

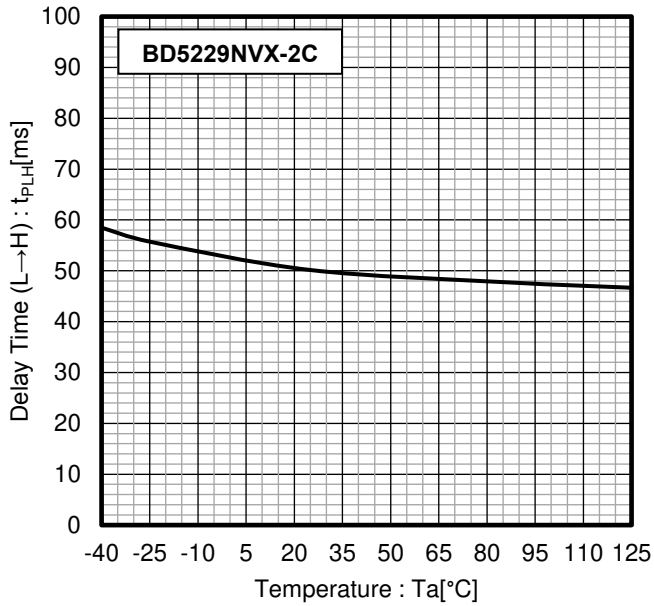


Figure 13. Output Delay Time (L→H) vs Temperature (CCT=10 nF)

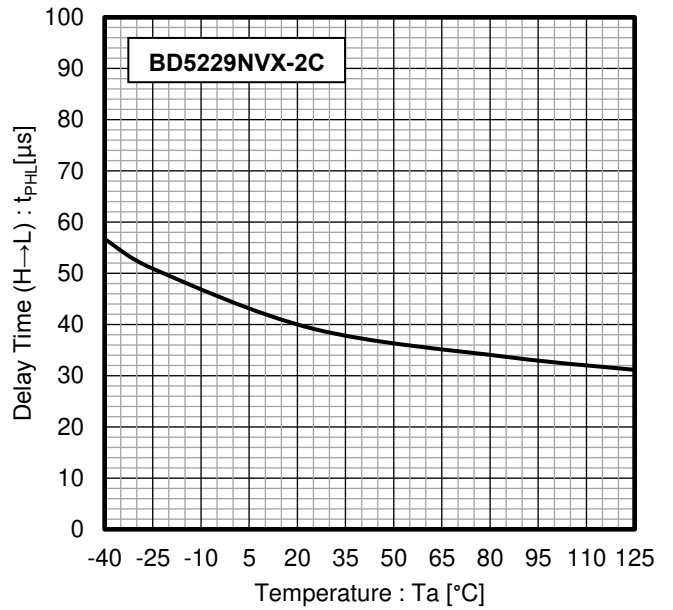


Figure 14. Output Delay Time (H→L) vs Temperature

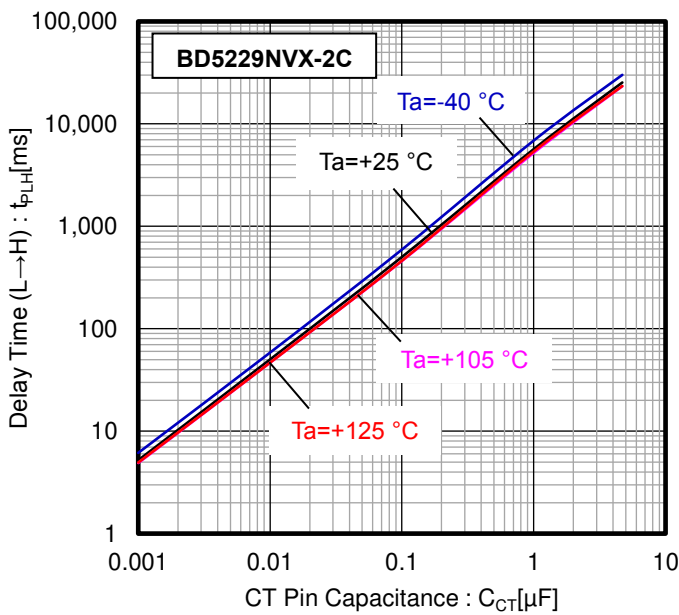


Figure 15. Output Delay Time (L→H) vs CT Pin Capacitance

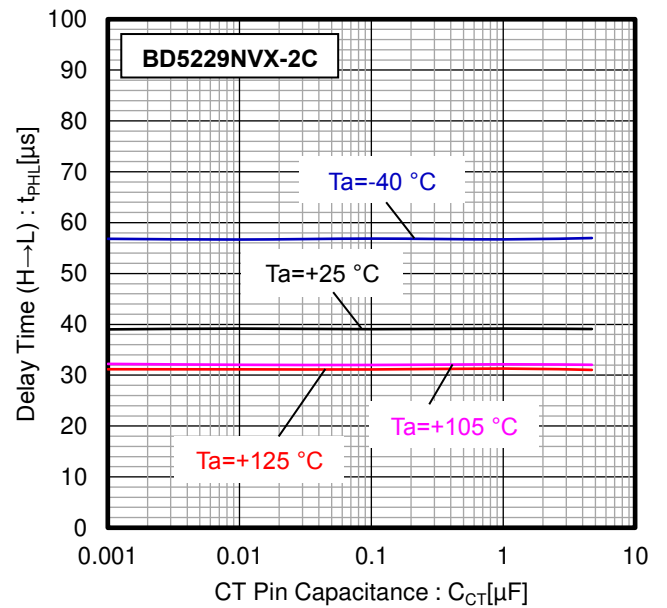


Figure 16. Output Delay Time (H→L) vs CT Pin Capacitance

Typical Performance Curves - continued

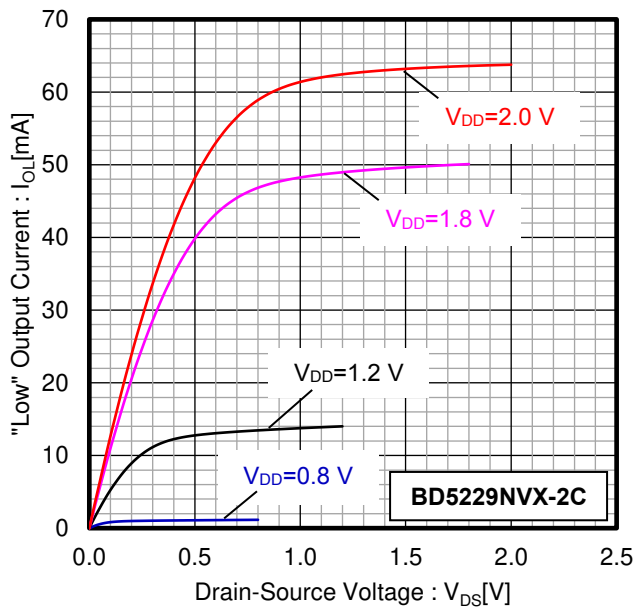


Figure 17. "Low" Output Current vs Drain-Source Voltage

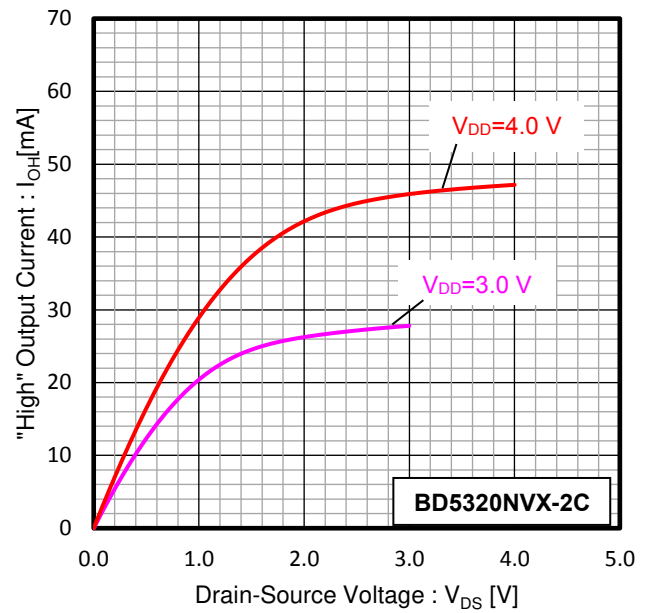


Figure 18. "High" Output Current vs Drain-Source Voltage

Application Information

Operation Description

The detection and release voltage are used as threshold voltages. When the voltage applied to the V_{DD} reaches the applicable threshold voltage, the V_{OUT} level switches from either “H”→“L” or from “L”→“H”. BD52xxNVX-2C series and BD5320NVX-2C have delay time function, which set t_{PLH} (output “L”→“H”) using an external capacitor connected in CT pin (C_{CT}).

Because the BD52xxNVX-2C series uses an open drain output type, it is necessary to connect a pull up resistor to V_{DD} or another power supply. [In this case, the output (V_{OUT}) “H” voltage becomes V_{DD} or the voltage of the other power supply].

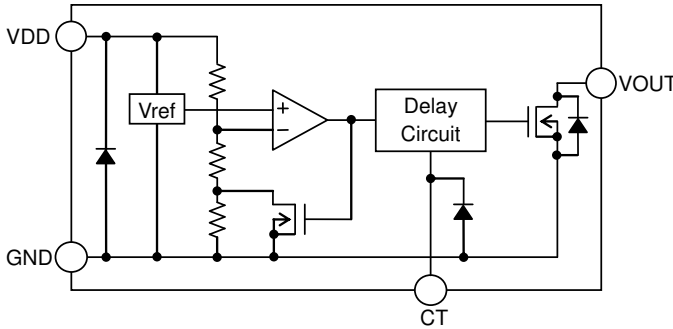


Figure 19. (BD52xxNVX-2C type internal block diagram)

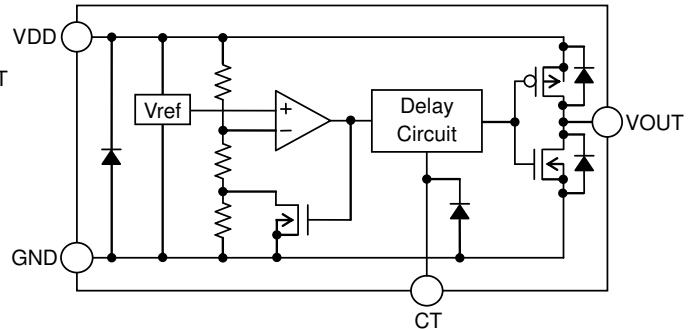


Figure 20. (BD5320NVX-2C type internal block diagram)

Setting of Detector Delay Time

Delay time L→H (t_{PLH}) is the time when V_{OUT} rises to 1/2 of V_{DD} after V_{DD} rises up and beyond the release voltage (V_{DET}+ΔV_{DET}).

Delay time L→H (t_{PLH}) is determined by CT capacitor and can be calculated from the following formula. When CT capacitor ≥ 1nF, t_{CTO} has less effect and t_{PLH} computation is shown on Example No.2. The result has ±50 % tolerance within the operating temperature range of -40 °C to +125 °C.

Formula: (Ta=25 °C)

$$t_{PLH} = C_{CT} \times Delay\ Coefficient + t_{CTO} \quad [s]$$

where:

C_{CT} is the CT pin external capacitor

Delay Coefficient is equal to 5.55 × 10⁶

t_{CTO} is the delay time when CT=open (Note 1)

Temperature	Delay Time (t _{CTO})		
	Min	Typ	Max
Ta = -40 °C to +125 °C	15 μs	50 μs	150 μs

(Note 1) t_{CTO} is design guarantee only

Example No.1:

CT capacitor = 100 pF

$$t_{PLH_min} = (100 \times 10^{-12} \times 5.55 \times 10^6) \times 0.5 + 15 \times 10^{-6} = 292 \mu s$$

$$t_{PLH_typ} = (100 \times 10^{-12} \times 5.55 \times 10^6) \times 1.0 + 50 \times 10^{-6} = 605 \mu s$$

$$t_{PLH_max} = (100 \times 10^{-12} \times 5.55 \times 10^6) \times 1.5 + 150 \times 10^{-6} = 983 \mu s$$

Example No.2:

CT capacitor = 1 nF

$$t_{PLH_typ} = 1 \times 10^{-9} \times 5.55 \times 10^6 = 5.55 ms$$

Application Information - continued

Timing Waveform

The following shows the relationship between the input voltage V_{DD} and the output voltage V_{OUT} when the power supply voltage V_{DD} is sweep up and sweep down.

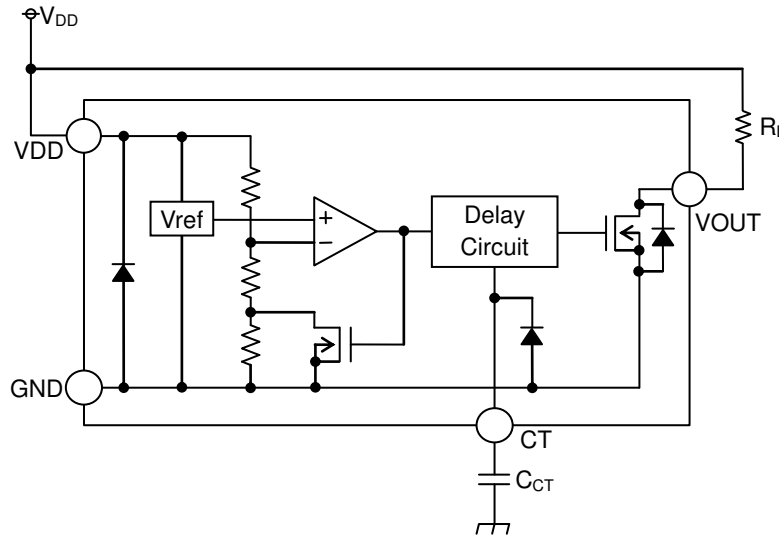


Figure 21. BD52xxNVX-2C Set-up

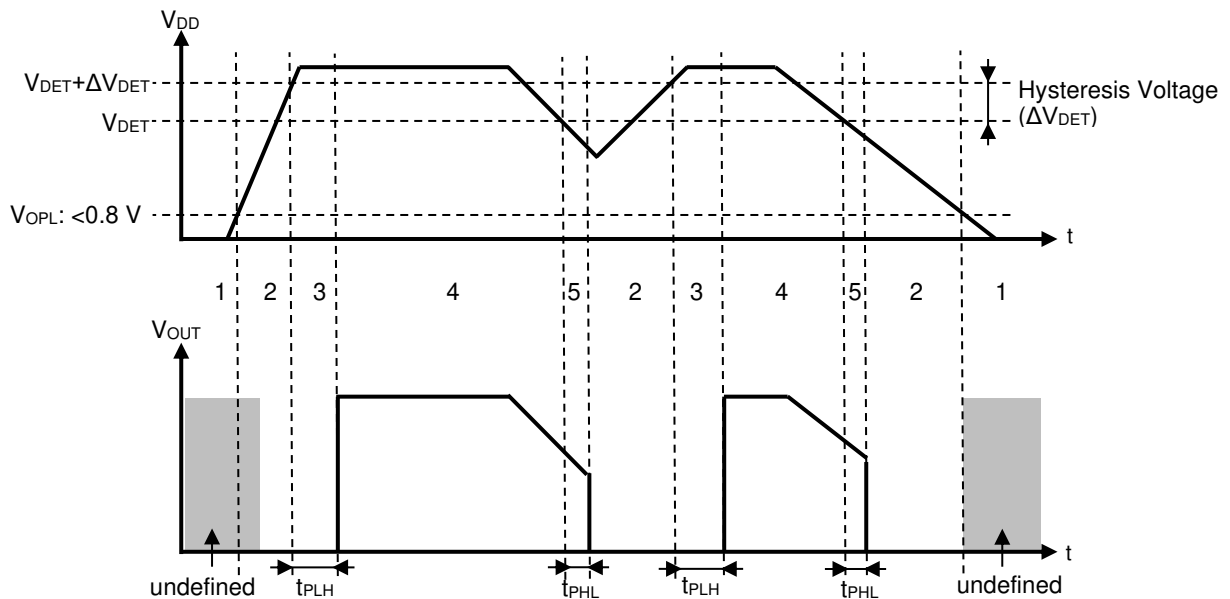


Figure 22. Timing Diagram

Operating Conditions Explanation

- 1 When the power supply turns on, the Output Voltage (V_{OUT}) becomes unstable until V_{DD} exceeds the Minimum Operating Voltage (V_{OPL}).
- 2 V_{OUT} changes to "L". However, this change depends on the V_{OUT} rise time when the power supply starts up, so thorough confirmation is required.
- 3 When V_{DD} exceeds the release voltage ($V_{DET} + \Delta V_{DET}$), delay time (t_{PLH}) set by the capacitor at CT pin (C_{CT}) happens, then V_{OUT} switches from "L" to "H".
- 4 V_{OUT} remains "H".
- 5 When V_{DD} drops below Detection Voltage (V_{DET}), delay time (t_{PHL}) happens, then V_{OUT} switches from "H" to "L".

The potential difference between the detection voltage and the release voltage is known as the Hysteresis Voltage width (ΔV_{DET}). The system is designed such that the output will not toggle with power supply fluctuations within this hysteresis width, preventing malfunctions due to noise.

Application Information – continued

Bypass Capacitor for Noise Rejection

To help reject noise, put more than 0.1 μF capacitor between VDD and GND pin and connect it closer to the pin as possible. Be careful when using extremely big capacitor as transient response will be affected.

External Parameters

The recommended value of CT capacitor is from open to 4.7 μF and pull-up resistance value is 50 k Ω to 1 M Ω . There are many factors (board layout, etc.) that can affect characteristics. Operating beyond the recommended values does not guarantee correct operation. Please verify and confirm using practical applications.

In addition, this IC has extremely high impedance pins. Small leak current due to the uncleanness of PCB surface might cause unexpected operations. Application values in these conditions should be selected carefully. For example, if a 10 M Ω leakage is assumed between VOUT and GND pin, consider to set the value of pull up resistor lower than 1/10 of the impedance of assumed leakage route.

Behavior when below the Operating Voltage Limit

When VDD falls below the minimum operating voltage, output will be open. When output is connected to pull-up voltage, output will be equivalent to pull-up voltage.

CT Pin Discharge

Due to the capabilities of the CT pin discharge transistor, the CT pin may not completely discharge when a short input pulse is applied, and in this case the delay time may not be controlled. Please verify the actual operation.

Application Circuits

(1) Examples of common application circuits

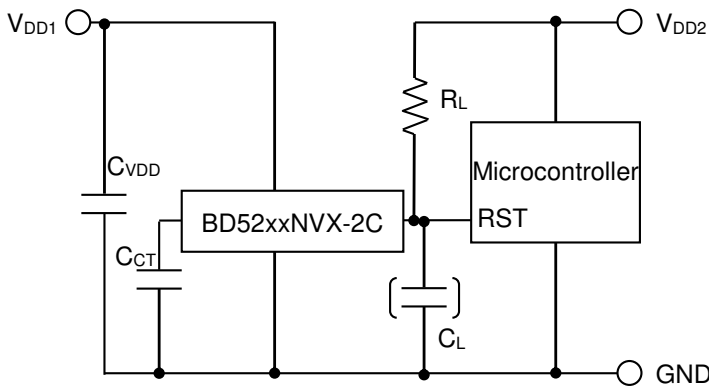


Figure 23. Open Drain Output Type

Application examples of BD52xxNVX-2C series (Open drain output type) and BD5320NVX-2C (CMOS output type) are shown below.

If the power supply of the microcontroller (VDD2) differs from the power supply of the detection (VDD1), use the load resistance RL connected to VDD2 in the output of open drain output type (BD52xxNVX-2C series) as shown in Figure 23.

Power supply of the microcontroller (VDD1) is the same as the power supply of the reset detection (VDD1): Use a CMOS output type (BD5320NVC-2C) device as shown in Figure 24, or an open-drain output type (BD52xxNVX-2C series) device with a pull-up resistor between the output and VDD1.

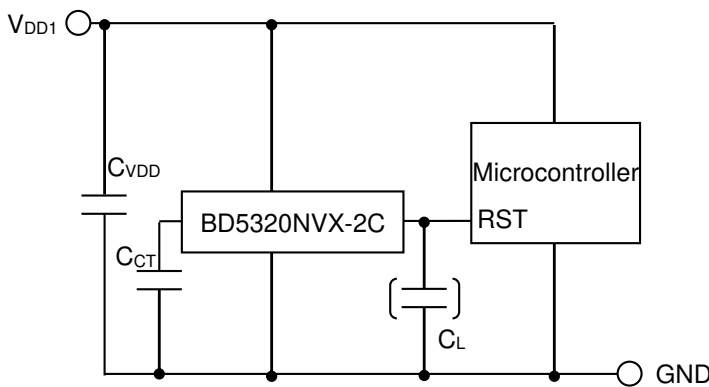


Figure 24. CMOS Output Type

When connecting a capacitor CL for noise elimination and for output time delay setting to VOUT pin (reset signal input pin of micro-controller), the waveform is dull during rising and falling of the output so use after confirmation that there is no problem.

Application Circuits – continued

(2) The following is an example of an OR connection between two types of detection voltage resets the microcontroller.

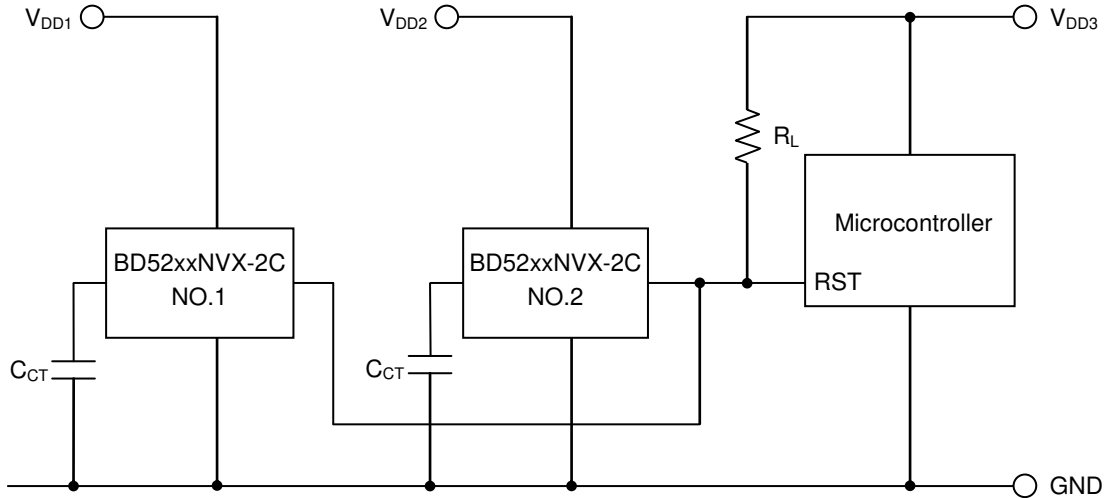


Figure 25. OR Circuit Connection Application

There are multiple power supply in the system, and in case monitoring for each independent power supply V_{DD1} and V_{DD2} and reset of micro-controller is required, an application where output “H” voltage is aligned to the microcontroller power supply V_{DD3} is possible by connecting OR application and pull-up at random voltage (V_{DD3}) such as shown in Figure 25.

(3) Examples of the power supply with resistor dividers

In applications wherein the power supply voltage of an IC comes from a resistor divider circuit, an inrush current will flow into the circuit when the output level switches from “Low” to “High” or vice versa. Inrush current is a sudden surge of current that flows from the power supply (V_{DD}) to ground (GND) as the output logic changes its state. This current flow may cause malfunction in the systems operation such as output oscillations, etc.

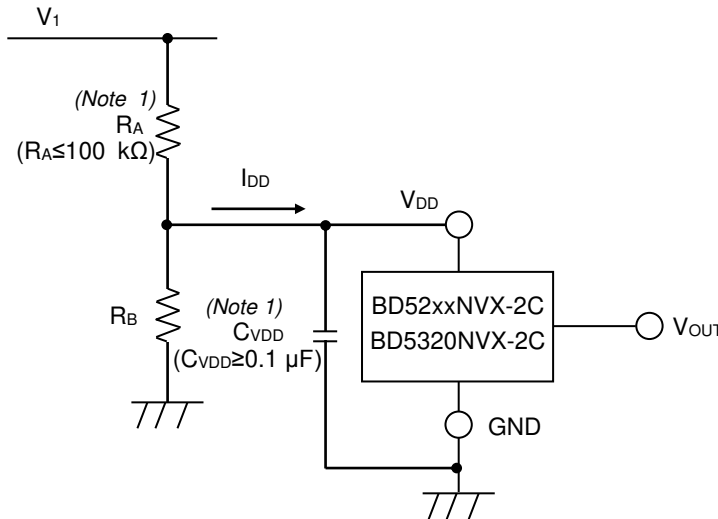


Figure 26. Resistor Divider Connection Application

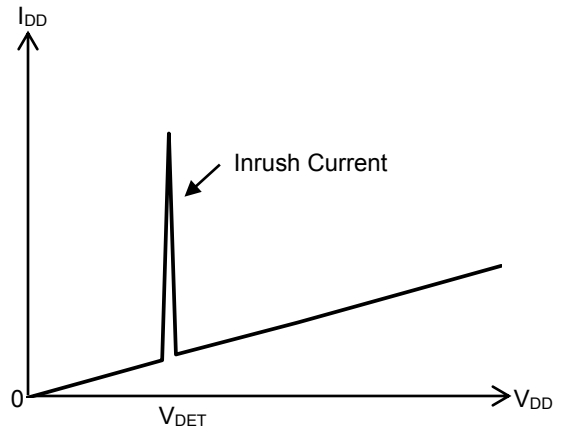


Figure 27. Current Consumption vs V_{DD} Voltage

A voltage drop [Inrush current (I_1) x [input resistor (R_A)] is caused by the inrush current, and causes the input voltage to drop when the output switches from “L”→”H”. When the input voltage drops and falls below the detection voltage, the output will switch from “H”→”L”. At this time, the inrush current stops flowing through output “L”, and the voltage drop disappears. As a result, the output switches from “L”→”H”, which again causes the inrush current to flow and the voltage to drop. This operation repeats and leads to oscillation.

In case resistor divider is not use and only use R_A , same response will happen.

(Note 1) The circuit connection mentioned above does not guarantee successful operation. Perform thorough evaluation using the actual application and set countermeasures.

Application Circuits - continued

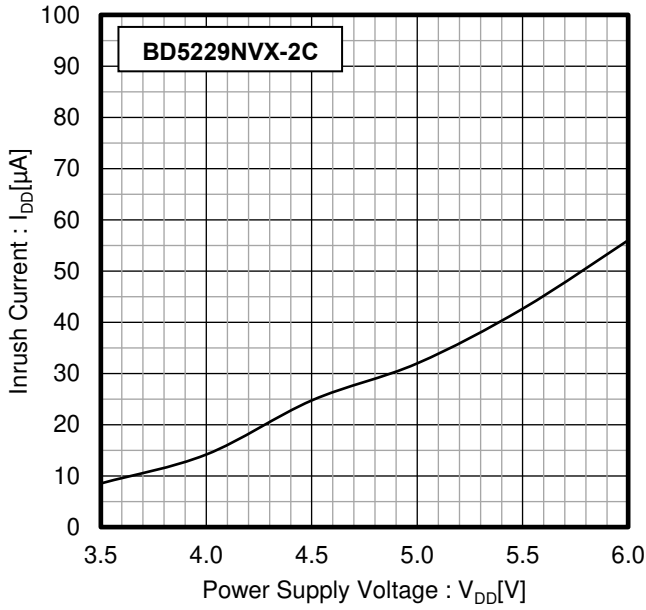


Figure 28. I_{DD} Inrush Current vs Power Supply Voltage ($T_a=25\text{ }^\circ\text{C}$)

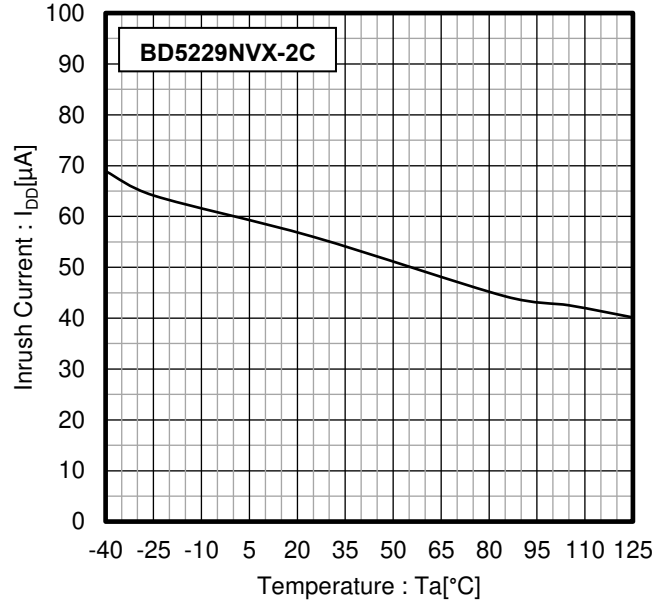


Figure 29. I_{DD} Inrush Current vs Temperature ($V_{DD}=6\text{ V}$)

Depending on the application set-up, there are times that V_{DD} voltage is always below the Release Voltage ($V_{DET}+\Delta V_{DET}$) because of the effect of inrush current as shown in Figure 30.

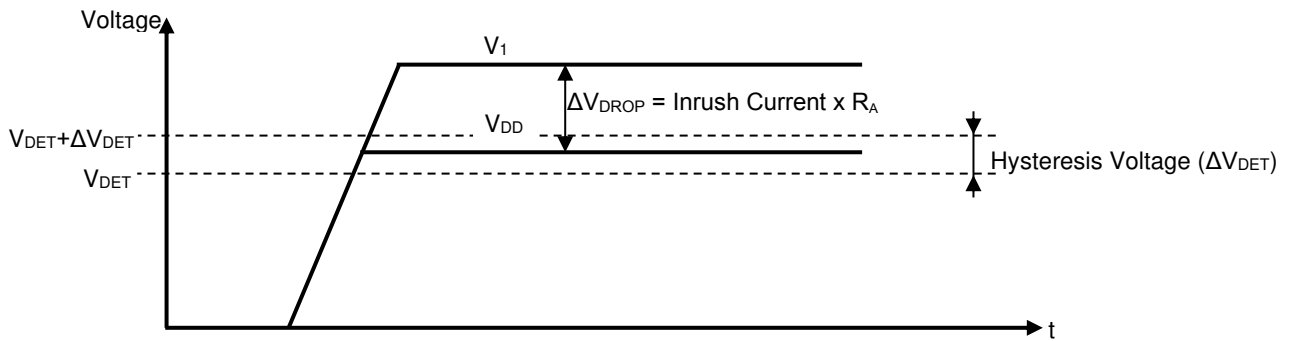


Figure 30. V_{DD} Drop Caused by Inrush Current

Considerations on Input and Output Capacitor

It is suggested to use input and output capacitors which is positioned as near as possible to the pins. The capacitor between the input pin and GND is effective when the power supply impedance increases or when the wiring is long. A large capacitor at the output improves stability and output load characteristics. Before implementation, check the state of mounting. In addition, the ceramic capacitor deviates in general and has temperature characteristics and AC bias characteristics. Furthermore, depending on the usage, the capacitance value decreases over time. It is recommended that ceramic capacitor to use is decided after gathering detailed data information by consulting brand manufacturers.

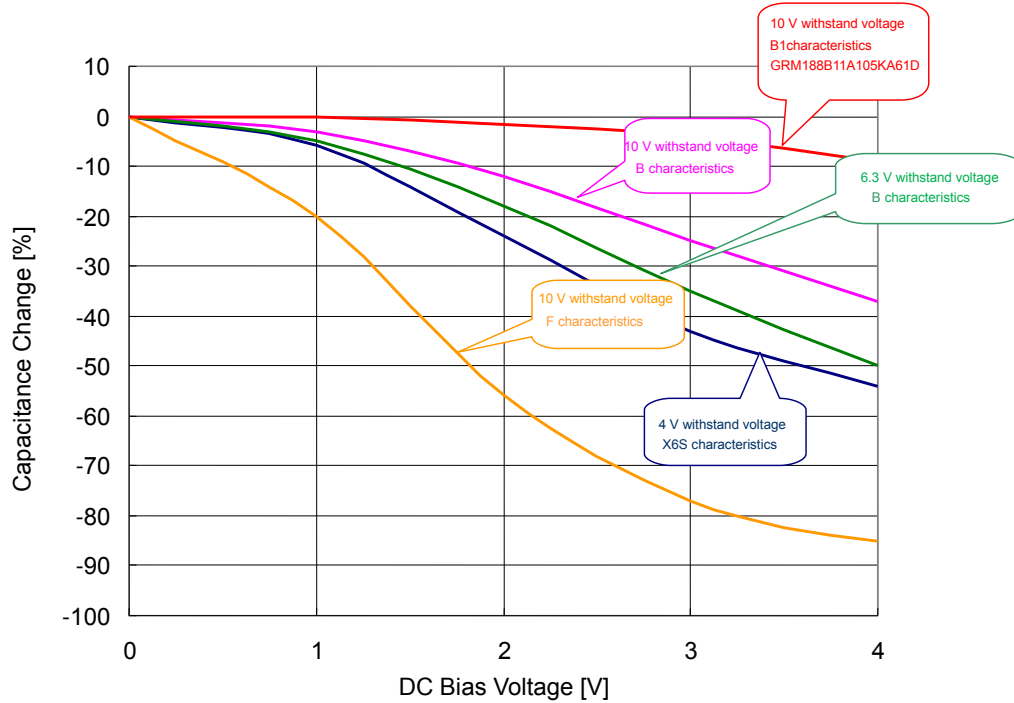


Figure 31. Ceramic Capacitance Change - DC Bias Properties (Characteristic example)

Operational Notes

1. Reverse Connection of Power Supply

Connecting the power supply in reverse polarity can damage the IC. Take precautions against reverse polarity when connecting the power supply, such as mounting an external diode between the power supply and the IC's power supply pins.

2. Power Supply Lines

Design the PCB layout pattern to provide low impedance supply lines. Furthermore, connect a capacitor to ground at all power supply pins. Consider the effect of temperature and aging on the capacitance value when using electrolytic capacitors.

3. Ground Voltage

Ensure that no pins are at a voltage below that of the ground pin at any time, even during transient condition.

4. Ground Wiring Pattern

When using both small-signal and large-current ground traces, the two ground traces should be routed separately but connected to a single ground at the reference point of the application board to avoid fluctuations in the small-signal ground caused by large currents. Also ensure that the ground traces of external components do not cause variations on the ground voltage. The ground lines must be as short and thick as possible to reduce line impedance.

5. Recommended Operating Conditions

The function and operation of the IC are guaranteed within the range specified by the recommended operating conditions. The characteristic values are guaranteed only under the conditions of each item specified by the electrical characteristics.

6. Inrush Current

When power is first supplied to the IC, it is possible that the internal logic may be unstable and inrush current may flow instantaneously due to the internal powering sequence and delays, especially if the IC has more than one power supply. Therefore, give special consideration to power coupling capacitance, power wiring, width of ground wiring, and routing of connections.

7. Testing on Application Boards

When testing the IC on an application board, connecting a capacitor directly to a low-impedance output pin may subject the IC to stress. Always discharge capacitors completely after each process or step. The IC's power supply should always be turned off completely before connecting or removing it from the test setup during the inspection process. To prevent damage from static discharge, ground the IC during assembly and use similar precautions during transport and storage.

8. Inter-pin Short and Mounting Errors

Ensure that the direction and position are correct when mounting the IC on the PCB. Incorrect mounting may result in damaging the IC. Avoid nearby pins being shorted to each other especially to ground, power supply and output pin. Inter-pin shorts could be due to many reasons such as metal particles, water droplets (in very humid environment) and unintentional solder bridge deposited in between pins during assembly to name a few.

9. Unused Input Pins

Input pins of an IC are often connected to the gate of a MOS transistor. The gate has extremely high impedance and extremely low capacitance. If left unconnected, the electric field from the outside can easily charge it. The small charge acquired in this way is enough to produce a significant effect on the conduction through the transistor and cause unexpected operation of the IC. So unless otherwise specified, unused input pins should be connected to the power supply or ground line.

10. Regarding the Input Pin of the IC

In the construction of this IC, P-N junctions are inevitably formed creating parasitic diodes or transistors. The operation of these parasitic elements can result in mutual interference among circuits, operational faults, or physical damage. Therefore, conditions which cause these parasitic elements to operate, such as applying a voltage to an input pin lower than the ground voltage should be avoided. Furthermore, do not apply a voltage to the input pins when no power supply voltage is applied to the IC. Even if the power supply voltage is applied, make sure that the input pins have voltages within the values specified in the electrical characteristics of this IC.

11. Ceramic Capacitor

When using a ceramic capacitor, determine a capacitance value considering the change of capacitance with temperature and the decrease in nominal capacitance due to DC bias and others.

Revision History

Date	Revision	Changes
23.Jan.2018	001	New Release
31.Jul.2018	002	Format Change Add Notation of "Nano Energy"
09.Sep.2021	003	Add lineup (BD5214NVX-2C, BD5216NVX-2C, BD5320NVX-2C)

Notice

Precaution on using ROHM Products

1. If you intend to use our Products in devices requiring extremely high reliability (such as medical equipment ^(Note 1), aircraft/spacecraft, nuclear power controllers, etc.) and whose malfunction or failure may cause loss of human life, bodily injury or serious damage to property ("Specific Applications"), please consult with the ROHM sales representative in advance. Unless otherwise agreed in writing by ROHM in advance, ROHM shall not be in any way responsible or liable for any damages, expenses or losses incurred by you or third parties arising from the use of any ROHM's Products for Specific Applications.

(Note1) Medical Equipment Classification of the Specific Applications

JAPAN	USA	EU	CHINA
CLASS III	CLASS III	CLASS II b	CLASS III
CLASS IV		CLASS III	

2. ROHM designs and manufactures its Products subject to strict quality control system. However, semiconductor products can fail or malfunction at a certain rate. Please be sure to implement, at your own responsibilities, adequate safety measures including but not limited to fail-safe design against the physical injury, damage to any property, which a failure or malfunction of our Products may cause. The following are examples of safety measures:
 - [a] Installation of protection circuits or other protective devices to improve system safety
 - [b] Installation of redundant circuits to reduce the impact of single or multiple circuit failure
3. Our Products are not designed under any special or extraordinary environments or conditions, as exemplified below. Accordingly, ROHM shall not be in any way responsible or liable for any damages, expenses or losses arising from the use of any ROHM's Products under any special or extraordinary environments or conditions. If you intend to use our Products under any special or extraordinary environments or conditions (as exemplified below), your independent verification and confirmation of product performance, reliability, etc. prior to use, must be necessary:
 - [a] Use of our Products in any types of liquid, including water, oils, chemicals, and organic solvents
 - [b] Use of our Products outdoors or in places where the Products are exposed to direct sunlight or dust
 - [c] Use of our Products in places where the Products are exposed to sea wind or corrosive gases, including Cl₂, H₂S, NH₃, SO₂, and NO₂
 - [d] Use of our Products in places where the Products are exposed to static electricity or electromagnetic waves
 - [e] Use of our Products in proximity to heat-producing components, plastic cords, or other flammable items
 - [f] Sealing or coating our Products with resin or other coating materials
 - [g] Use of our Products without cleaning residue of flux (Exclude cases where no-clean type fluxes is used. However, recommend sufficiently about the residue.); or Washing our Products by using water or water-soluble cleaning agents for cleaning residue after soldering
 - [h] Use of the Products in places subject to dew condensation
4. The Products are not subject to radiation-proof design.
5. Please verify and confirm characteristics of the final or mounted products in using the Products.
6. In particular, if a transient load (a large amount of load applied in a short period of time, such as pulse, is applied, confirmation of performance characteristics after on-board mounting is strongly recommended. Avoid applying power exceeding normal rated power; exceeding the power rating under steady-state loading condition may negatively affect product performance and reliability.
7. De-rate Power Dissipation depending on ambient temperature. When used in sealed area, confirm that it is the use in the range that does not exceed the maximum junction temperature.
8. Confirm that operation temperature is within the specified range described in the product specification.
9. ROHM shall not be in any way responsible or liable for failure induced under deviant condition from what is defined in this document.

Precaution for Mounting / Circuit board design

1. When a highly active halogenous (chlorine, bromine, etc.) flux is used, the residue of flux may negatively affect product performance and reliability.
2. In principle, the reflow soldering method must be used on a surface-mount products, the flow soldering method must be used on a through hole mount products. If the flow soldering method is preferred on a surface-mount products, please consult with the ROHM representative in advance.

For details, please refer to ROHM Mounting specification

Precautions Regarding Application Examples and External Circuits

1. If change is made to the constant of an external circuit, please allow a sufficient margin considering variations of the characteristics of the Products and external components, including transient characteristics, as well as static characteristics.
2. You agree that application notes, reference designs, and associated data and information contained in this document are presented only as guidance for Products use. Therefore, in case you use such information, you are solely responsible for it and you must exercise your own independent verification and judgment in the use of such information contained in this document. ROHM shall not be in any way responsible or liable for any damages, expenses or losses incurred by you or third parties arising from the use of such information.

Precaution for Electrostatic

This Product is electrostatic sensitive product, which may be damaged due to electrostatic discharge. Please take proper caution in your manufacturing process and storage so that voltage exceeding the Products maximum rating will not be applied to Products. Please take special care under dry condition (e.g. Grounding of human body / equipment / solder iron, isolation from charged objects, setting of Ionizer, friction prevention and temperature / humidity control).

Precaution for Storage / Transportation

1. Product performance and soldered connections may deteriorate if the Products are stored in the places where:
 - [a] the Products are exposed to sea winds or corrosive gases, including Cl₂, H₂S, NH₃, SO₂, and NO₂
 - [b] the temperature or humidity exceeds those recommended by ROHM
 - [c] the Products are exposed to direct sunshine or condensation
 - [d] the Products are exposed to high Electrostatic
2. Even under ROHM recommended storage condition, solderability of products out of recommended storage time period may be degraded. It is strongly recommended to confirm solderability before using Products of which storage time is exceeding the recommended storage time period.
3. Store / transport cartons in the correct direction, which is indicated on a carton with a symbol. Otherwise bent leads may occur due to excessive stress applied when dropping of a carton.
4. Use Products within the specified time after opening a humidity barrier bag. Baking is required before using Products of which storage time is exceeding the recommended storage time period.

Precaution for Product Label

A two-dimensional barcode printed on ROHM Products label is for ROHM's internal use only.

Precaution for Disposition

When disposing Products please dispose them properly using an authorized industry waste company.

Precaution for Foreign Exchange and Foreign Trade act

Since concerned goods might be fallen under listed items of export control prescribed by Foreign exchange and Foreign trade act, please consult with ROHM in case of export.

Precaution Regarding Intellectual Property Rights

1. All information and data including but not limited to application example contained in this document is for reference only. ROHM does not warrant that foregoing information or data will not infringe any intellectual property rights or any other rights of any third party regarding such information or data.
2. ROHM shall not have any obligations where the claims, actions or demands arising from the combination of the Products with other articles such as components, circuits, systems or external equipment (including software).
3. No license, expressly or implied, is granted hereby under any intellectual property rights or other rights of ROHM or any third parties with respect to the Products or the information contained in this document. Provided, however, that ROHM will not assert its intellectual property rights or other rights against you or your customers to the extent necessary to manufacture or sell products containing the Products, subject to the terms and conditions herein.

Other Precaution

1. This document may not be reprinted or reproduced, in whole or in part, without prior written consent of ROHM.
2. The Products may not be disassembled, converted, modified, reproduced or otherwise changed without prior written consent of ROHM.
3. In no event shall you use in any way whatsoever the Products and the related technical information contained in the Products or this document for any military purposes, including but not limited to, the development of mass-destruction weapons.
4. The proper names of companies or products described in this document are trademarks or registered trademarks of ROHM, its affiliated companies or third parties.

General Precaution

1. Before you use our Products, you are requested to carefully read this document and fully understand its contents. ROHM shall not be in any way responsible or liable for failure, malfunction or accident arising from the use of any ROHM's Products against warning, caution or note contained in this document.
2. All information contained in this document is current as of the issuing date and subject to change without any prior notice. Before purchasing or using ROHM's Products, please confirm the latest information with a ROHM sales representative.
3. The information contained in this document is provided on an "as is" basis and ROHM does not warrant that all information contained in this document is accurate and/or error-free. ROHM shall not be in any way responsible or liable for any damages, expenses or losses incurred by you or third parties resulting from inaccuracy or errors of or concerning such information.