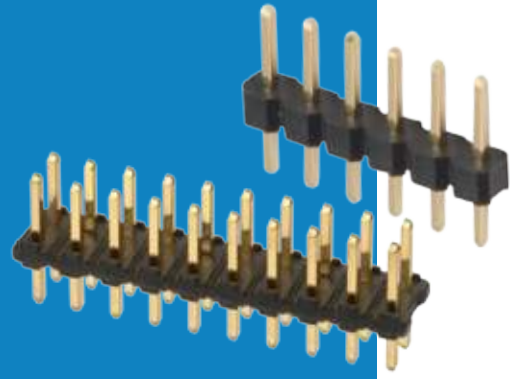


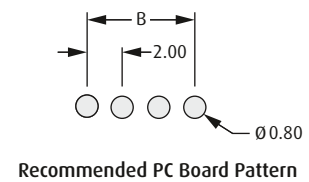
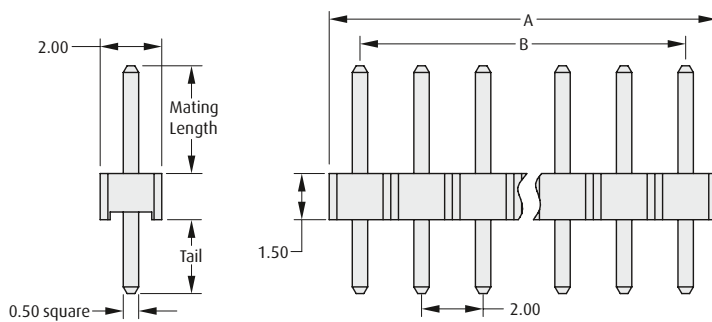
M22 Connectors

Male Vertical PC Tail

- ❖ Suitable for use with female PCB connectors and jumper sockets shown on pages 125 to 127. 4.2mm mating length also suitable for use with female crimp connectors shown on page 128.
- ❖ Pin headers can be cut into smaller sizes.
- ❖ For alternatives pin lengths, see pin header variants on page 134.



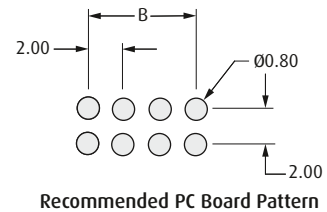
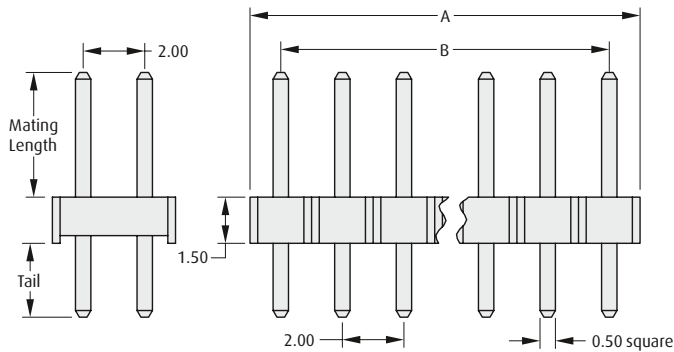
SINGLE ROW



CALCULATION

A	2.00 x No. of contacts per row
B	2.00 x (No. of contacts per row - 1)

DOUBLE ROW



HOW TO ORDER

M22 - XXX XX XX

SERIES CODE

CONNECTOR TYPE

Single	Double	Mating Length	Tail
201	202	3.50mm	3.40mm
251	252	3.50mm	2.30mm
271	272	4.20mm	2.30mm

FINISH

05	Gold	
46	Tin	

NO. OF CONTACTS PER ROW

02 to 50

All dimensions in mm.