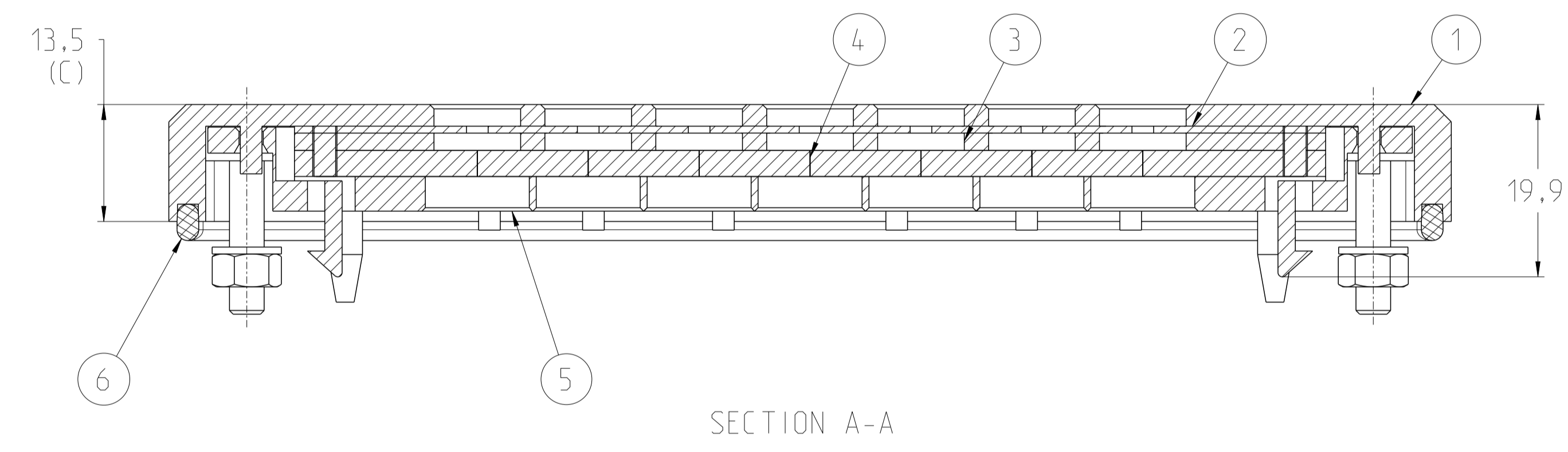
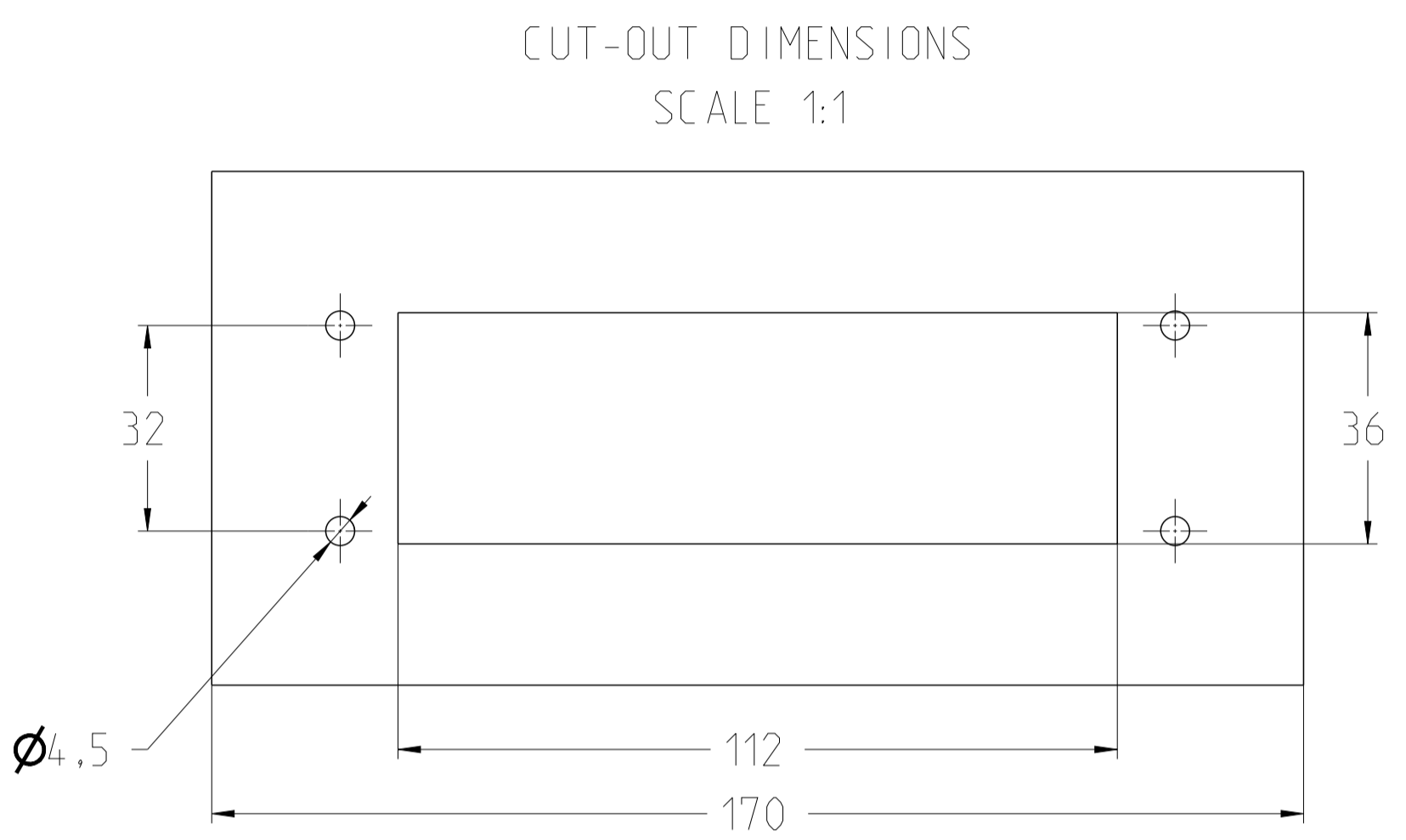
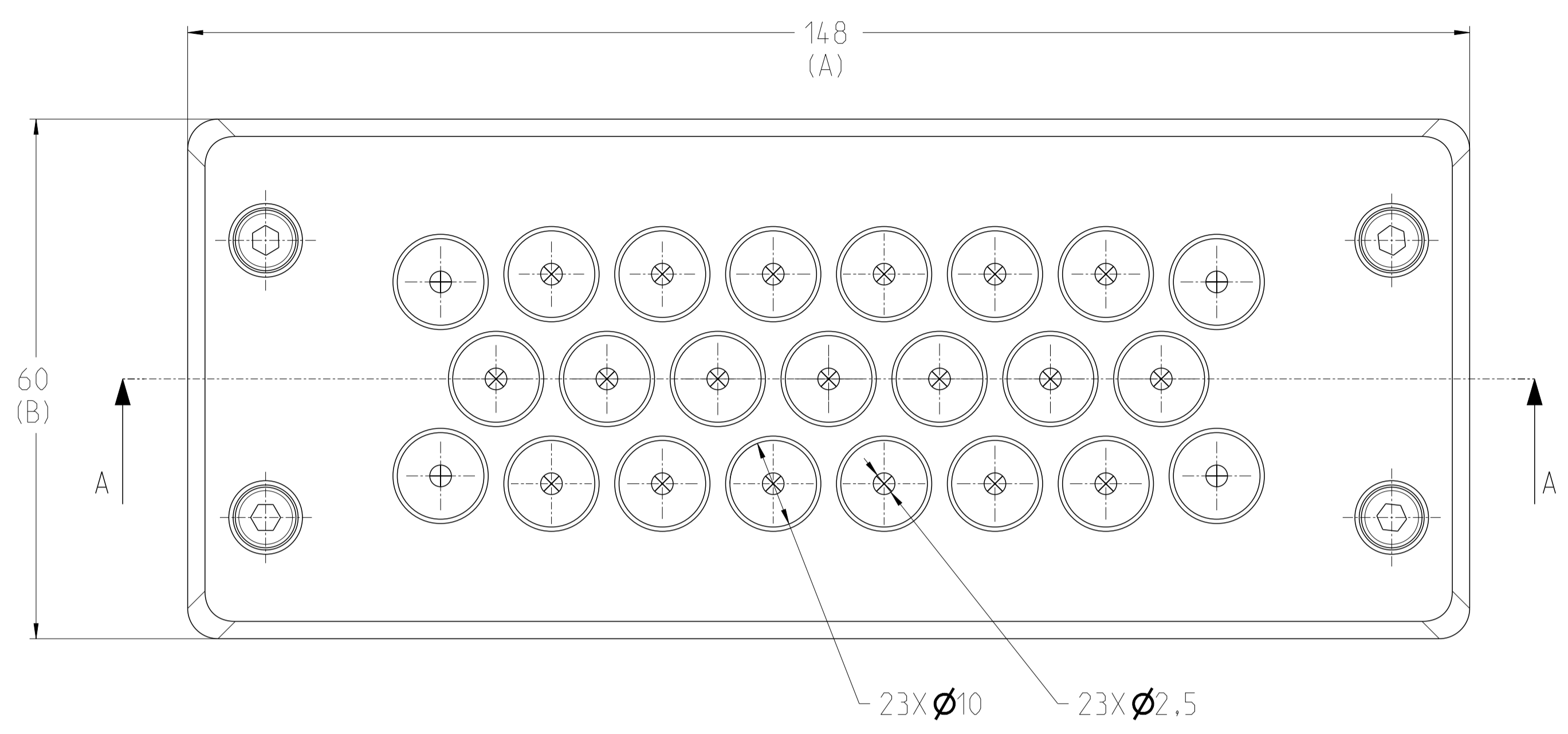
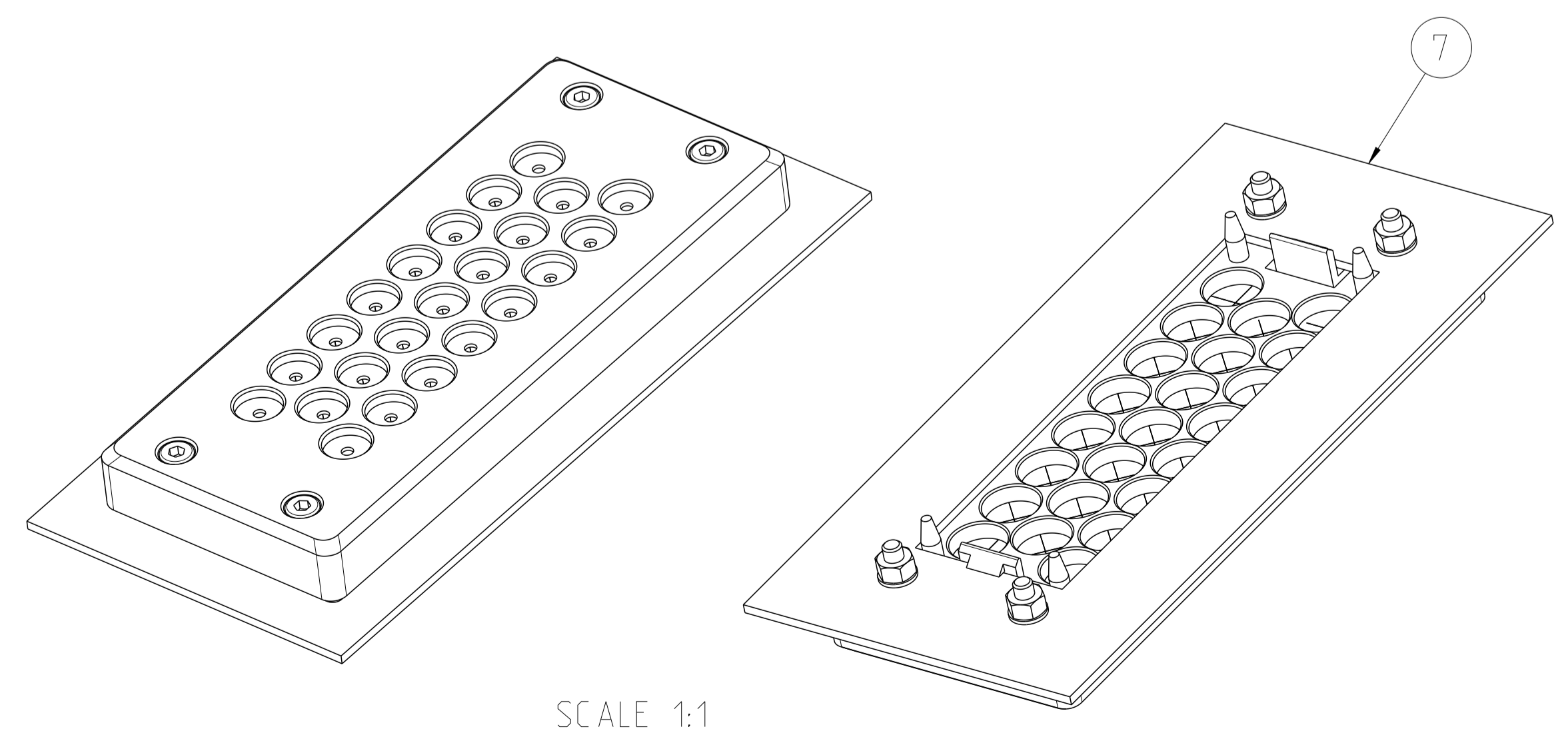


REVISIONS				
P	LTN	DESCRIPTION	DATE	APVD
A		INITIAL REVISION	15FEB2022	KR RM



TE CONNECTIVITY OBTURATED CABLE ENTRY PLATE PROPERTIES BRM 23 WAYS	
PROPERTY	SPECIFICATION
CLAMPING RANGE	$\phi$ 4mm to $\phi$ 8.5mm
CABLE ENTRIES	23ways/Single hole per way
NON USED WAYS	Automatically Obturated
ENCLOSURE WALL THICKNESS	(1 mm to 1.5 mm)
ENTRY PLATE FIXATION	Snap - Fit or 4 pcs M4x20mm screws

TCPN	TE Product Type (Entretec)	RAL NUMBER	COLOR	Width A	Height B	Depth C
1SNG603009R0000	EP-BRM-SZ23-LGR-A	7035	L.Grey	148	60	13.5
1SNG603010R0000	EP-BRM-SZ23-BL-A	9005	Black	148	60	13.5



SCALE 1:1

RPT	QTY	DOC TITLE	DRAWING NUMBER	MATERIAL	COMMENTS
7	1	ENCLOSURE	-	GENERIC	-
6	1	FRAME SEALING	-	POLYURETHANE OR SILICONE	-
5	1	BACK FRAME	-	PA 6 +(GF)	-
4	1	SEAL GEL	-	POLYURETHANE	-
3	1	RUBBER SPACER	-	CR RUBBER	-
2	1	SEALING MEMBRAN	-	BUTYL (IIR) RUBBER	-
1	1	FRONT FRAME	-	PA 6 +(GF)	-

THIS DRAWING IS A CONTROLLED DOCUMENT.		OWN: 15FEB2022	APVD: 15FEB2022	NAME: -
		CHK: Rajan, Kasli	APVD: Rafeeq, Mohd	NAME: -
		CHK: Rafeeq, Mohd	APVD: Rafeeq, Mohd	NAME: -
DIMENSIONS: mm		TOLERANCES UNLESS OTHERWISE SPECIFIED:	PRODUCT SPEC: BRM-CABLE-PLATE	APPLICATION SPEC: -
		0 PLC $\pm$	1 PLC $\pm$	2 PLC $\pm$
		3 PLC $\pm$	4 PLC $\pm$	ANGLES $\pm$
MATERIAL REF. TABLE		FINISH	WEIGHT	SIZE CAGE CODE DRAWING NO
				A   00779 ©=1SNP061314-0100
			CUSTOMER DRAWING	SCALE 5:1 SHEET 1 OF 1 REV A