

4

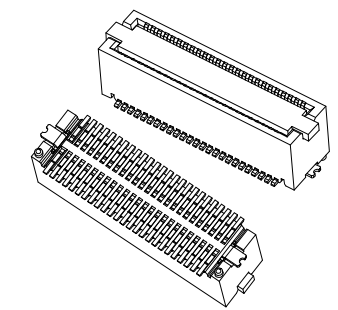
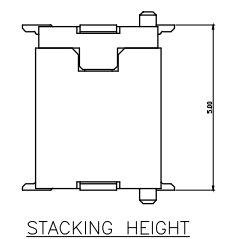
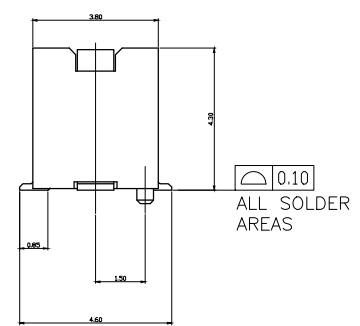
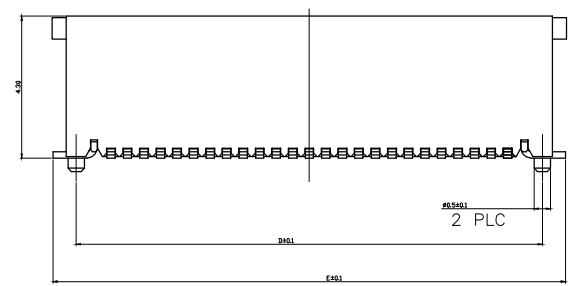
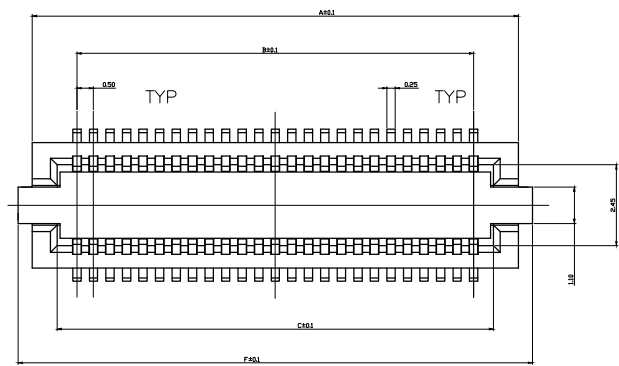
3

2

1

THIS DRAWING IS UNPUBLISHED. RELEASED FOR PUBLICATION
 COPYRIGHT BY TYCO ELECTRONICS CORPORATION. ALL RIGHTS RESERVED.

| LOC | DIST | REVISIONS | | | |
|-----|------|-------------|------|-----|------|
| P | LTR | DESCRIPTION | DATE | DWN | APVD |
| DW | — | SEE SHEET 1 | | | |



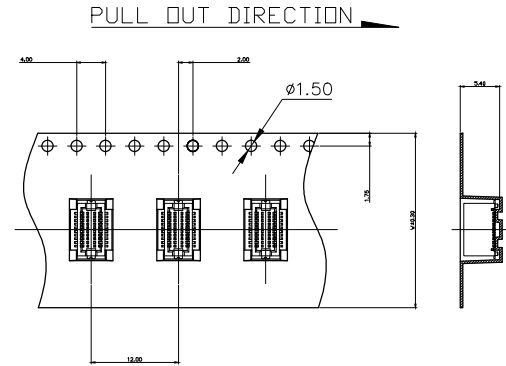
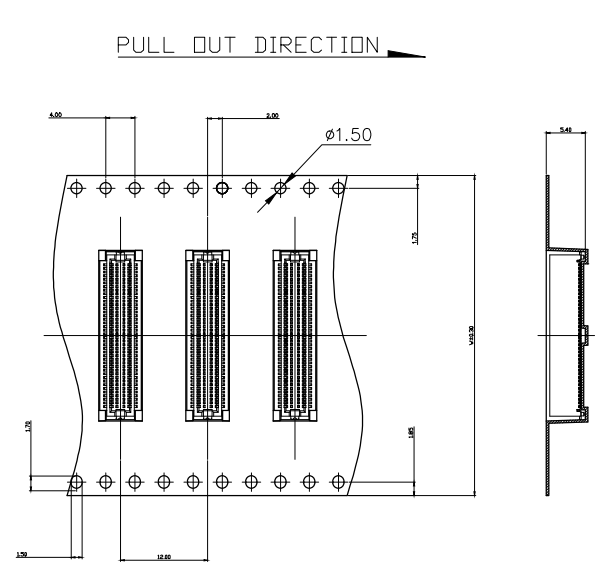
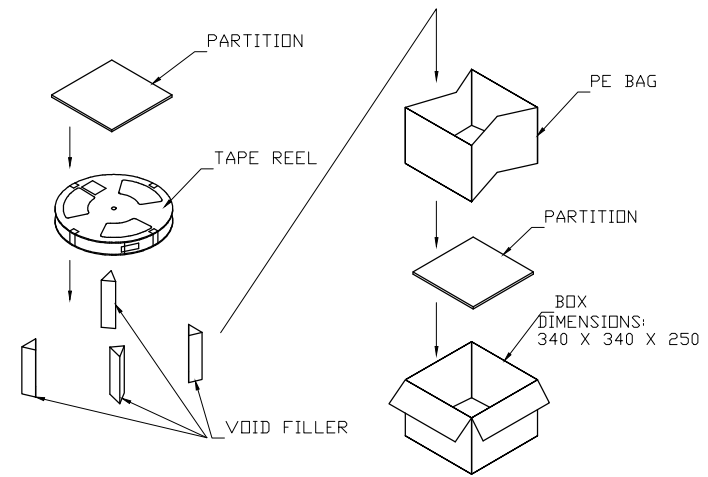
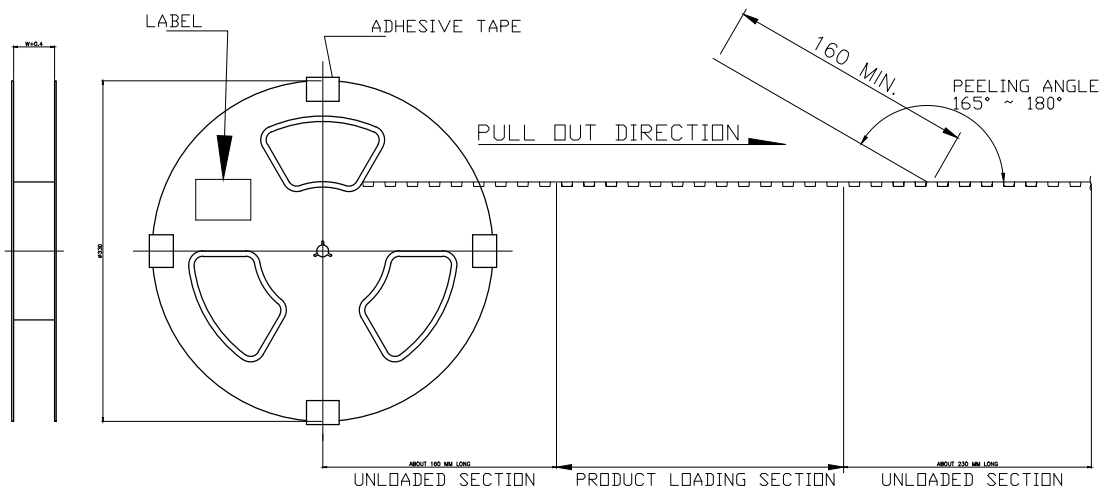
| | | | | | | | | | | | | | | |
|--------------------|--------|------------|-------|-------|-------|-------|-------|----|-------------|---|---|---|-----------------|-------------|
| WITH | 0.6g | 15.56 | 15.50 | 14.10 | 13.20 | 12.00 | 14.70 | 50 | 5-1775184-1 | | | | | |
| CAP FOR PICK/PLACE | WEIGHT | DIMENSIONS | | | | | F | E | D | C | B | A | NO. OF CONTACTS | PART NUMBER |

| | | | | | |
|--|--------------------|---|--|-----------------------------|-------------------------|
| THIS DRAWING IS A CONTROLLED DOCUMENT. | | DWN H. HUANG 31AUG2007 | STE TE Connectivity | | |
| DIMENSIONS: MM | | CHK S. HOU 31AUG2007 | | | |
| TOLERANCES UNLESS OTHERWISE SPECIFIED: | | APVD W.J. KE 31AUG2007 | NAME BOARD TO BOARD CONNECTOR, 0.5 MM PITCH, FINE-MATE, PLUG, 5H, WITH BOSSES & PEG & CAP | | |
| 0 PLC ± 0.50 1 PLC ± 0.38 2 PLC ± 0.25 3 PLC ± 0.15 4. PLC ANGLES ± - ± 5' | | PRODUCT SPEC — QUALIFICATION TEST REPORT — | SIZE A3 | CAGE CODE 00779 | DRAWING NO C-1775184 |
| MATERIAL SEE NOTE | FINISH SEE NOTE | WEIGHT SEE TABLE | RESTRICTED TO — | SCALE — SHEET 2 OF 3 REV A2 | |
| | | CUSTOMER DRAWING | | | |

THIS DRAWING IS UNPUBLISHED. RELEASED FOR PUBLICATION AUG , 2006.

© COPYRIGHT BY TYCO ELECTRONICS CORPORATION. ALL RIGHTS RESERVED.

| | | | | | | | |
|-----|------|-----------|-----|-------------|------|-----|------|
| LOC | DIST | REVISIONS | | | | | |
| DW | - | P | LTR | DESCRIPTION | DATE | DWN | APVD |
| | | | | SEE SHEET 1 | | | |



| | | | | | | |
|-----------|------------|----------|-------|----------|----------|-------------|
| 1000 | 6 | 6000 | 32 | 8.29 | 4.29 | 60 |
| | 7 | 7000 | 24 | 7.74 | 3.36 | 40 |
| | | | | 6.91 | 2.54 | 30 |
| PCS/ REEL | REELS/ BOX | QUANTITY | DIM W | G/W (KG) | N/W (KG) | NO. OF POS. |
| | | | | 6.09 | 1.71 | 20 |

| | | | | | |
|--|--|---|----------|--|----------------------------|
| THIS DRAWING IS A CONTROLLED DOCUMENT. | | DWN | H. HUANG | 31AUG2007 | STE TE Connectivity |
| | | CHK | S. HOU | 31AUG2007 | |
| | | APVD | W.J. KE | 31AUG2007 | |
| | | PRODUCT SPEC | | | |
| DIMENSIONS: MM 2 PLC | | TOLERANCES UNLESS OTHERWISE SPECIFIED: 0 PLC ± - 1 PLC ± - 2 PLC ± - 3 PLC ± - 4 PLC ± - ANGLES ± - | | NAME | |
| MATERIAL | | FINISH | | BOARD TO BOARD CONNECTOR, 0.5 MM PITCH, FINE-MATE, PLUG, 5H, WITH BOSSES & PEG & CAP | |
| SEE NOTE | | SEE NOTE | | SIZE: A3 CAGE CODE: 00779 DRAWING NO: C=1775184 RESTRICTED TO: - | |
| CUSTOMER DRAWING | | SCALE: - | | SHEET: 3 OF 3 | |
| | | | | REV: A2 | |