

4

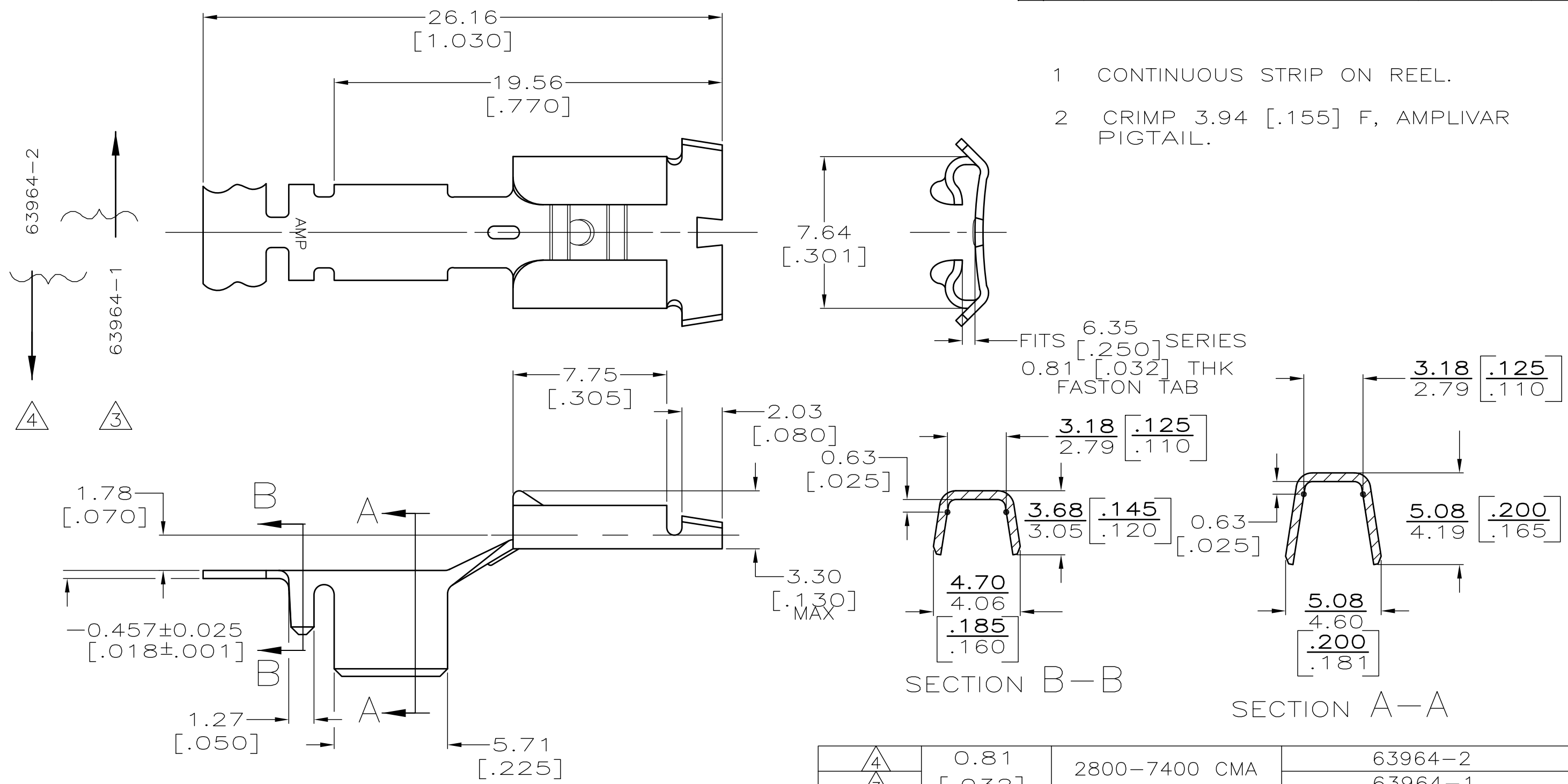
3

2

1

THIS DRAWING IS UNPUBLISHED. RELEASED FOR PUBLICATION
 © COPYRIGHT - By - ALL RIGHTS RESERVED.

LOC	DIST	REVISIONS			
P	LTR	DESCRIPTION	DATE	DWN	APVD
AF	50	C	REVISE PER ECR-13-013738	28AUG2014	GRZ JL



- 1 CONTINUOUS STRIP ON REEL.
- 2 CRIMP 3.94 [.155] F, AMPLIVAR PIGTAIL.

△4	0.81	2800-7400 CMA	63964-2
△3	0.81		63964-1
REELING	MATING TAB THK ±.001	MAGNET WIRE RANGE	PART NUMBER

THIS DRAWING IS A CONTROLLED DOCUMENT.		DWN 21/MAY/97 PHILLIP M FORTNEY	STE TE Connectivity	
DIMENSIONS: mm [INCHES]		CHK 21/MAY/97 MICHAEL S FEHER		
TOLERANCES UNLESS OTHERWISE SPECIFIED:		APVD 21/MAY/97 DENNIS SCHWENK	NAME STATOR RECEPTACLE, AMPLIVAR TM	
0 PLC ± -		PRODUCT SPEC	SIZE CAGE CODE DRAWING NO RESTRICTED TO	
1 PLC ± -		APPLICATION SPEC	A3 00779 C-63964 -	
2 PLC ± 0.25 [.010]		114-2128	SCALE SHEET REV	
3 PLC ± -		WEIGHT -	5:1 1 OF 1 C	
4 PLC ± -		CUSTOMER DRAWING		
ANGLES ± -				
MATERIAL BRASS				
FINISH PER MIL-T-10727				

