



MAX9654 Evaluation Kit

Evaluates: MAX9654

General Description

The MAX9654 evaluation kit (EV kit) is a fully assembled and tested surface-mount PCB that contains the MAX9654 triple-channel video-filter amplifier with selectable filtering for HD and SD video. The SD filter's passband is typically 8.5MHz and the HD filter's passband is typically 42MHz. The MAX9654 also has shutdown control. The video inputs on the EV kit are AC-coupled; the video outputs can be AC- or DC-coupled. In addition, the MAX9654 video inputs are terminated with 75Ω and the video outputs have a 75Ω back termination resistor. The EV kit operates from a single 3.3V DC power supply.

Features

- ◆ Jumper-Selectable SD/HD Filtering
- ◆ Jumper-Selectable Enable/Shutdown
- ◆ Single 3.3V Supply Operation
- ◆ Output Buffer with a 2V/V Gain
- ◆ High-Definition or Standard-Definition Television Video Filter
- ◆ AC-Coupled Inputs
- ◆ Standard 75Ω Input/Output Terminations
- ◆ Surface-Mount Components
- ◆ Fully Assembled and Tested

Ordering Information

PART	TYPE
MAX9654EVKIT+	EV Kit

+ Denotes lead-free and RoHS compliant.

Component List

DESIGNATION	QTY	DESCRIPTION
C1, C2, C3, C9	4	0.1μF ±10%, 16V X7R ceramic capacitors (0603) Murata GRM188R71C104K
C4, C7, C8	0	Not installed, ceramic capacitors (0603)
C10	1	10μF ±10%, 6.3V X5R ceramic capacitor (0603) Murata GRM21BR60J106K
JU1, JU2	2	3-pin headers

DESIGNATION	QTY	DESCRIPTION
PB_INPUT, PB_OUTPUT, PR_INPUT, PR_OUTPUT, Y_INPUT, Y_OUTPUT	6	75Ω BNC PCB vertical-mount connectors
R1–R6	6	75Ω ±5% resistors (0603)
R7, R8, R9	3	0Ω ±5% resistors (0603)
U1	1	3-channel SD/HD video filter (10 μMAX®) Maxim MAX9654AUB+
—	1	PCB: MAX9654 Evaluation Kit+

Component Supplier

SUPPLIER	PHONE	WEBSITE
Murata Electronics North America, Inc.	770-436-1300	www.murata-northamerica.com

Note: Indicate that you are using the MAX9654 when contacting this component supplier.

μMAX is a registered trademark of Maxim Integrated Products, Inc.



Maxim Integrated Products 1

For pricing, delivery, and ordering information, please contact Maxim Direct at 1-888-629-4642, or visit Maxim's website at www.maxim-ic.com.

MAX9654 Evaluation Kit

Quick Start

Recommended Equipment

Before beginning, the following equipment is needed:

- 3.3V DC power supply (VCC) capable of 50mA
- Video signal generator (e.g., Tektronix TG-700 or similar)
- The appropriate video measurement equipment (e.g., Tektronix VM5000)

Procedure

The MAX9654 EV kit is fully assembled and tested. Follow the steps below to verify board operation:

- 1) Verify that a shunt is placed on pins 1-2 of JU1 to enable the MAX9654.
- 2) Verify that a shunt is placed on pins 2-3 of JU2 to select HD video filtering.
- 3) Connect the outputs of the video signal generator to the Y_INPUT, PB_INPUT, and PR_INPUT BNC connectors on the MAX9654 EV kit.
- 4) Connect the Y_OUTPUT, PB_OUTPUT, and PR_OUTPUT BNC connectors on the EV kit to the input of the video measurement equipment.
- 5) Connect the power-supply ground to the GND pad on the EV kit.
- 6) Connect the 3.3V supply to the VDD pad on the EV kit.
- 7) Set the video signal generator for the desired video input signals.
- 8) Turn on the power supply and enable the video signal generator.
- 9) Analyze the video output signal.

Detailed Description of Hardware

The MAX9654 EV kit is a fully assembled and tested surface-mount PCB that contains the MAX9654 triple-channel video-filter amplifier with selectable filtering for HD and SD video. The MAX9654 SD lowpass filter has ± 1 dB passband out to 8.5MHz and 57dB attenuation at 27MHz. The MAX9654 HD lowpass filter has ± 1 dB passband out to 42MHz and 50dB attenuation at 109MHz. The MAX9654 EV kit has three input channels to accept a full set of component video input signals.

The MAX9654 EV kit uses 0.1 μ F ceramic capacitors to AC-couple the video inputs to the MAX9654. The input capacitor stores a DC level such that the outputs are clamped to the appropriate DC voltage level. All video inputs have a 75 Ω termination to ground. The MAX9654 EV kit video outputs can be DC- or AC-coupled. By default, 0 Ω resistors are installed on R7, R8, R9, and C4, C7, and C8 are open; each of the video outputs are configured to drive DC-coupled video loads. To configure the video outputs to drive the AC-coupled video loads, remove R7, R8, and R9, and install the 220 μ F capacitors on C4, C7, and C8.

Shutdown Mode

The MAX9654 EV kit provides an option to configure the MAX9654 into shutdown mode. See Table 1 for shunt positions.

Table 1. JU1 Jumper Selection

SHUNT POSITION	DESCRIPTION
1-2	Enable MAX9654
2-3	Shut down MAX9654

SD/HD Selection

The MAX9654 EV kit provides an option to configure the MAX9654 to filter the SD or HD video signal. See Table 2 for shunt positions.

Table 2. JU2 Jumper Selection

SHUNT POSITION	DESCRIPTION
1-2	SD video filtering
2-3	HD video filtering

MAX9654 Evaluation Kit

Evaluates: MAX9654

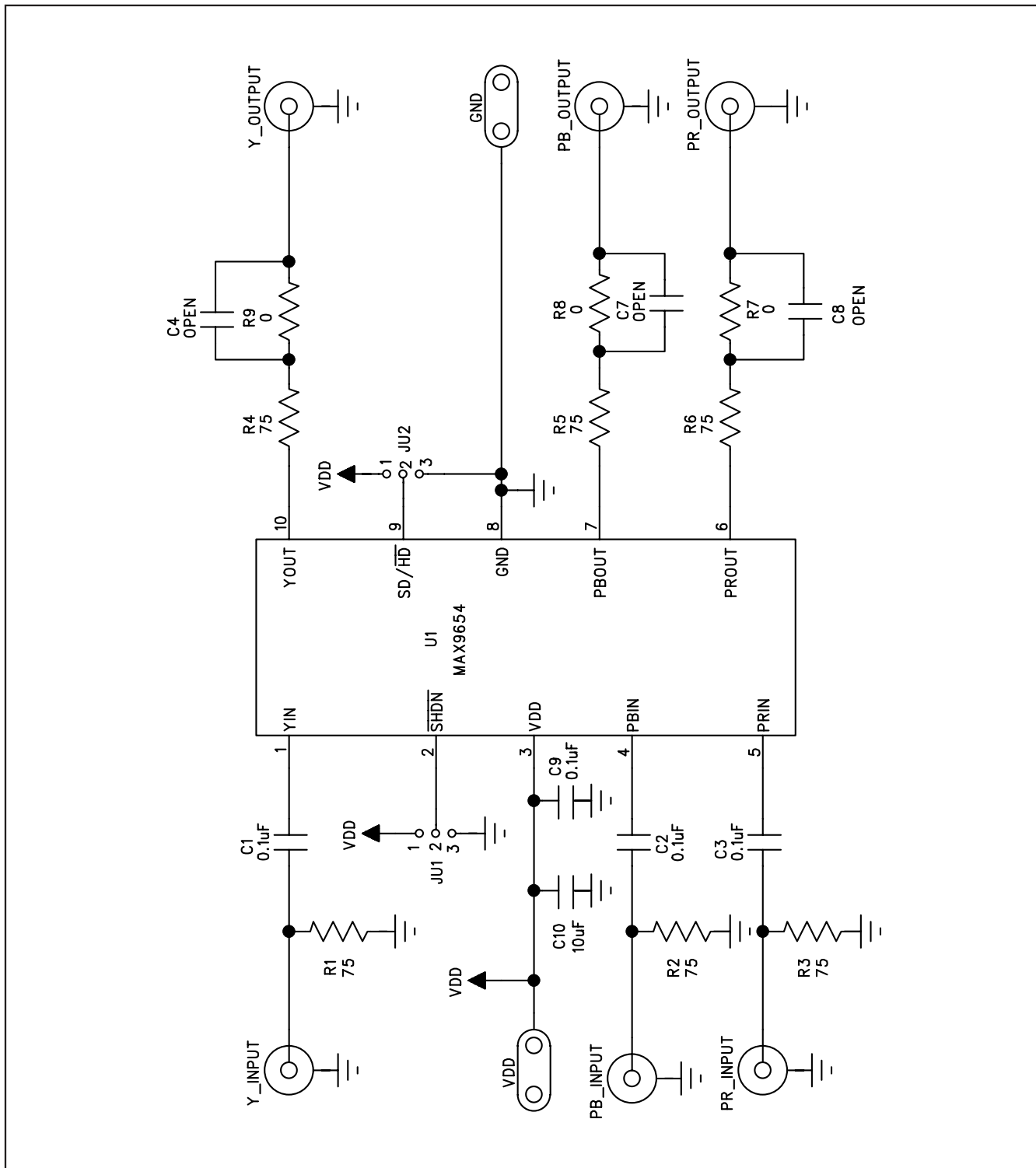


Figure 1. MAX9654 EV Kit Schematic

MAX9654 Evaluation Kit

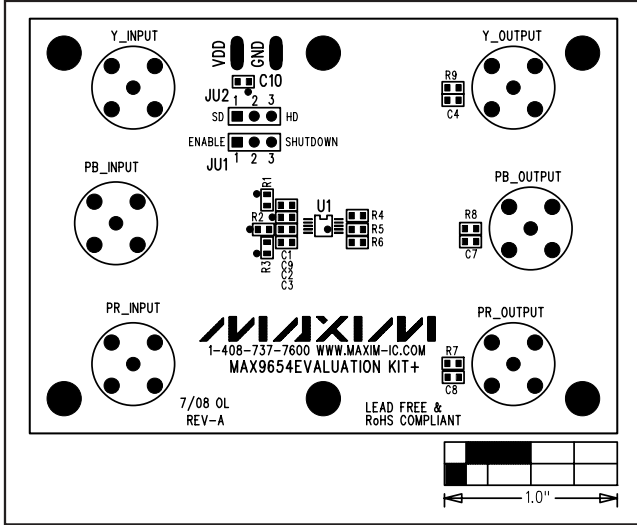


Figure 2. MAX9654 EV Kit Component Placement Guide—Component Side

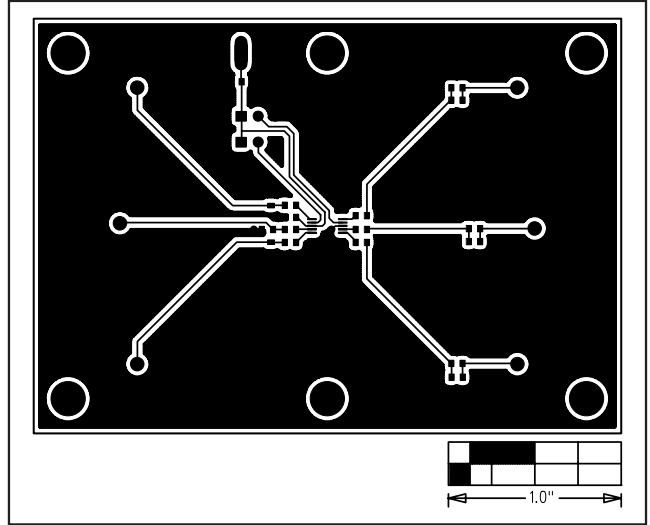


Figure 3. MAX9654 EV Kit PCB Layout—Component Side

MAX9654 Evaluation Kit

Evaluates: MAX9654

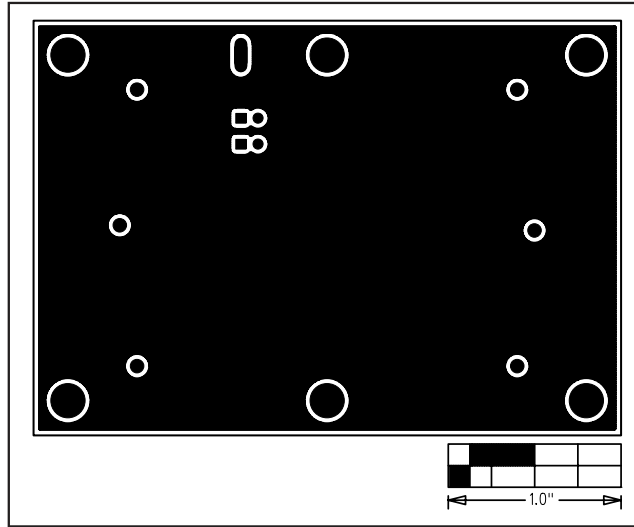


Figure 4. MAX9654 EV Kit PCB Layout—Solder Side

Maxim cannot assume responsibility for use of any circuitry other than circuitry entirely embodied in a Maxim product. No circuit patent licenses are implied. Maxim reserves the right to change the circuitry and specifications without notice at any time.

Maxim Integrated Products, 120 San Gabriel Drive, Sunnyvale, CA 94086 408-737-7600 _____ 5