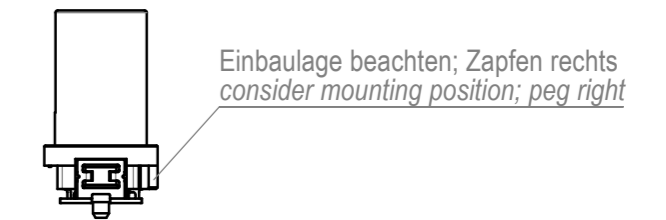
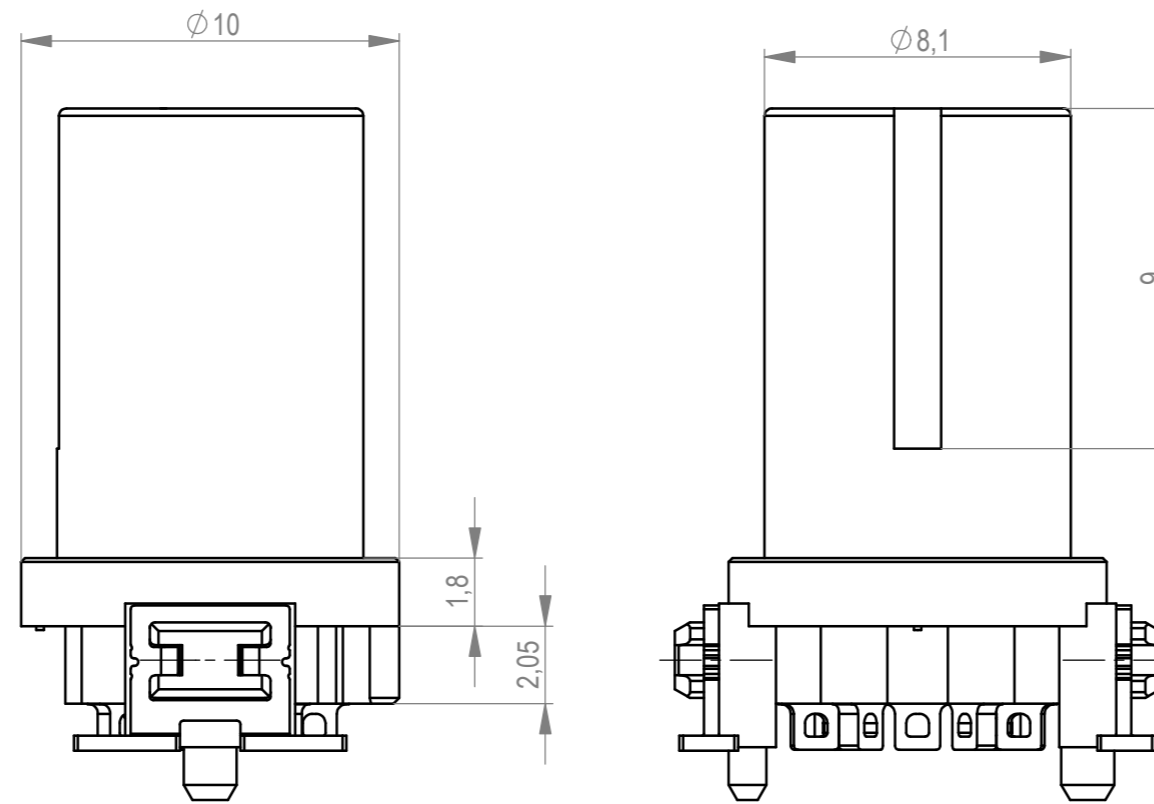
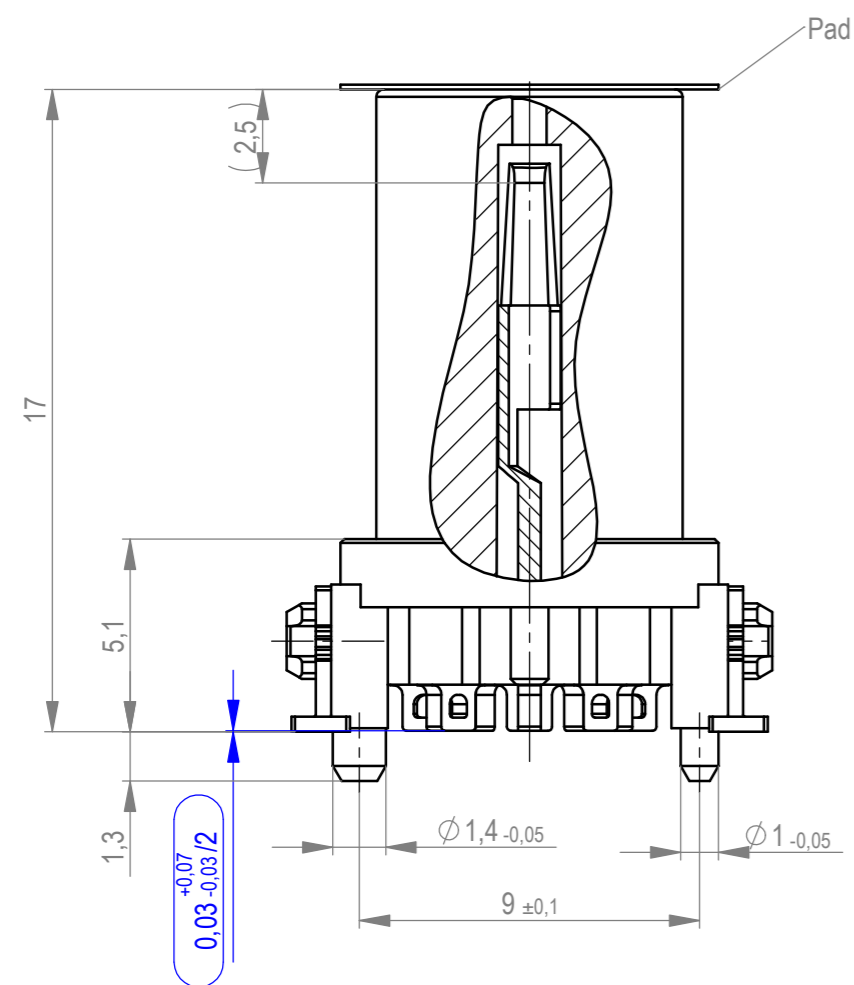
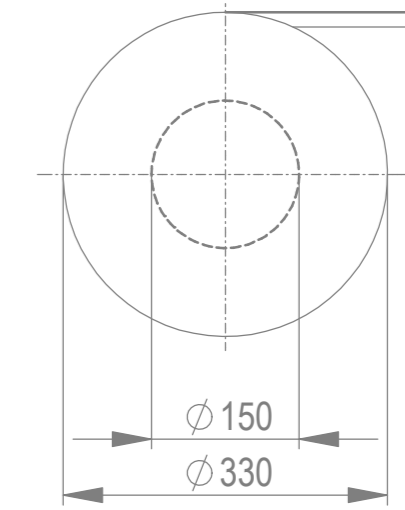
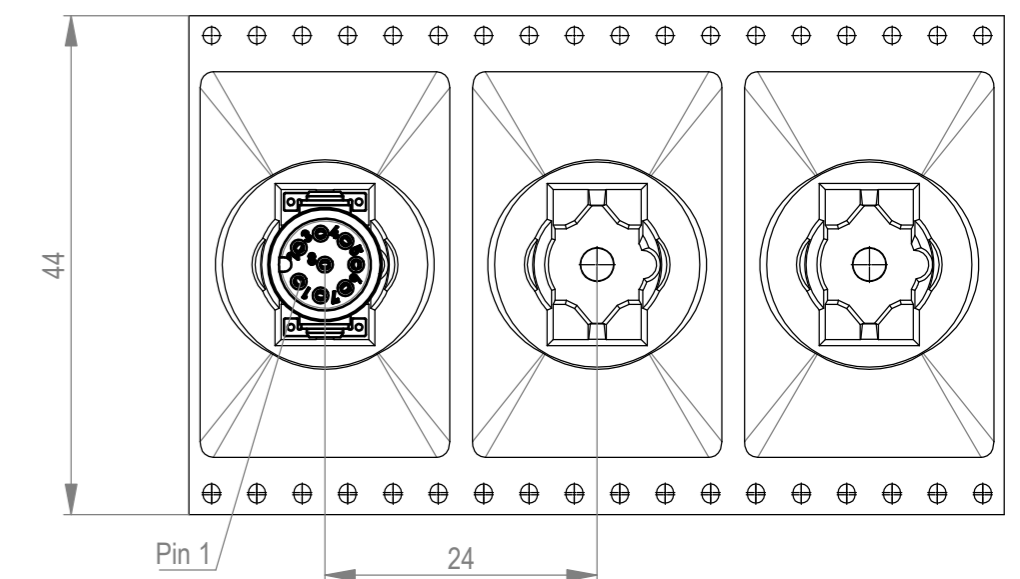


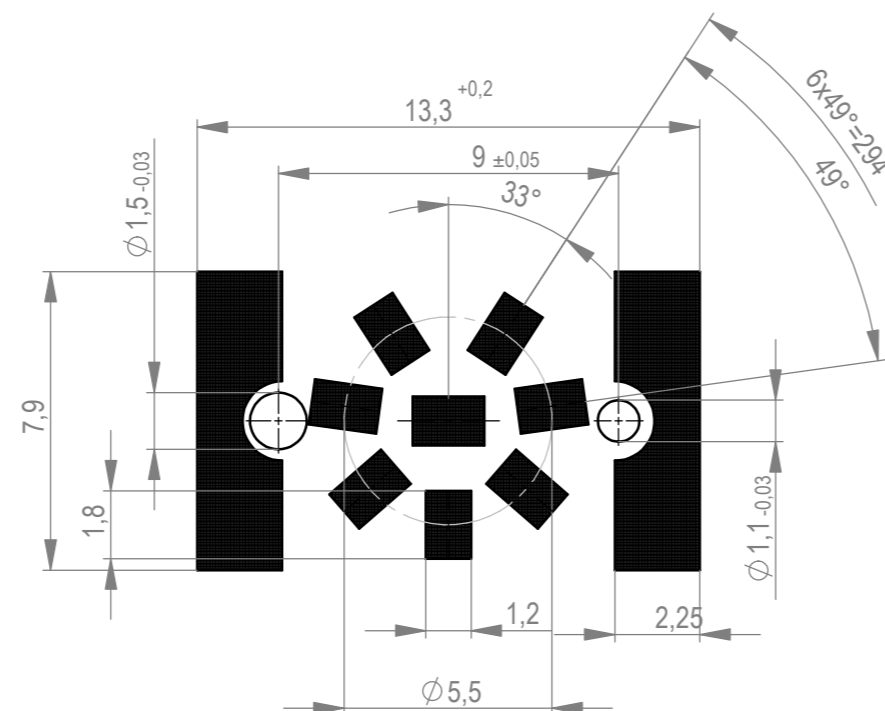
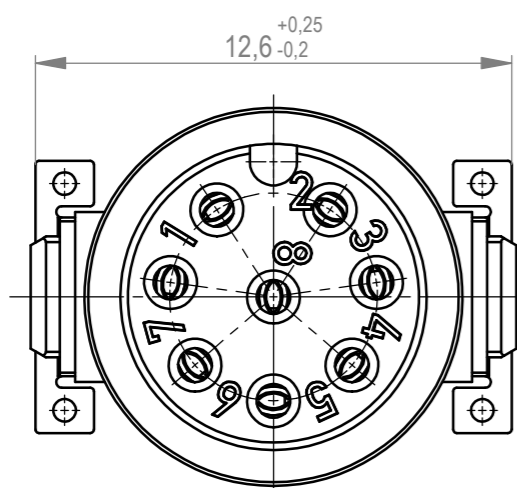
Verpackt im Gurt in Anlehnung an DIN IEC 60286-3
 tape on reel packaging according to DIN IEC 60286-3
 Verpackungseinheit: 100 Stück
 packaging unit: 100 pcs



Abspulrichtung - reel off direction →



Layout-Vorschlag
 PCB-Layout Proposal

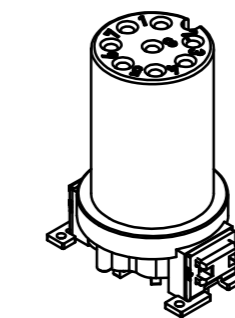


Zeichnung Spezifikation siehe ERNI Dokument 5.3.17
 Drawing Specification according to ERNI Document 5.3.17

Koplanarität aller Clips ≤ 0,1 mm
 coplanarity of all clips ≤ 0,1 mm

Teile: 100 Stück in Luftpolsterbeutel / Schüttgut
 part: 100 pcs. in bubble bags / bulk

M 2:1
 scale 2:1



454952	Gurtverpackung mit Pad tape on reel packaging with Pad
354131	Gurtverpackung tape on reel packaging
254310	Schüttgut 100 Stück bulk 100 pcs.
Ident-Nr. part-no.	Bemerkung remark

Dimension no.	Tolerances ISO 8015	Scale 5:1 Material
Customer drawing: All rights reserved. Only for information. To ensure that this is the latest version of this drawing, please contact one of the ERNI companies before using.	All Dimensions in mm	Subject to modification without prior notice. Drawing will not be updated.
j Index	20.02.2020 Date	ERNI International AG Zürichstrasse 72 8306 Brüttisellen - Zürich Switzerland
M12 Circular Connector Female Connector A Cod 8p 17mm SMT		254309
Class M12		I A2

Die deutsche Version dieser Zeichnung dient nur zur Einweisung der Handlung. Bei Abweichungen vom englischen Original gilt das englische Original. / This drawing has been created for convenience only and may deviate from the english original. In case of any deviation the English version shall prevail. / We reserve the right to change the design without notice. / All rights reserved. / In case of any deviation the English version shall prevail.