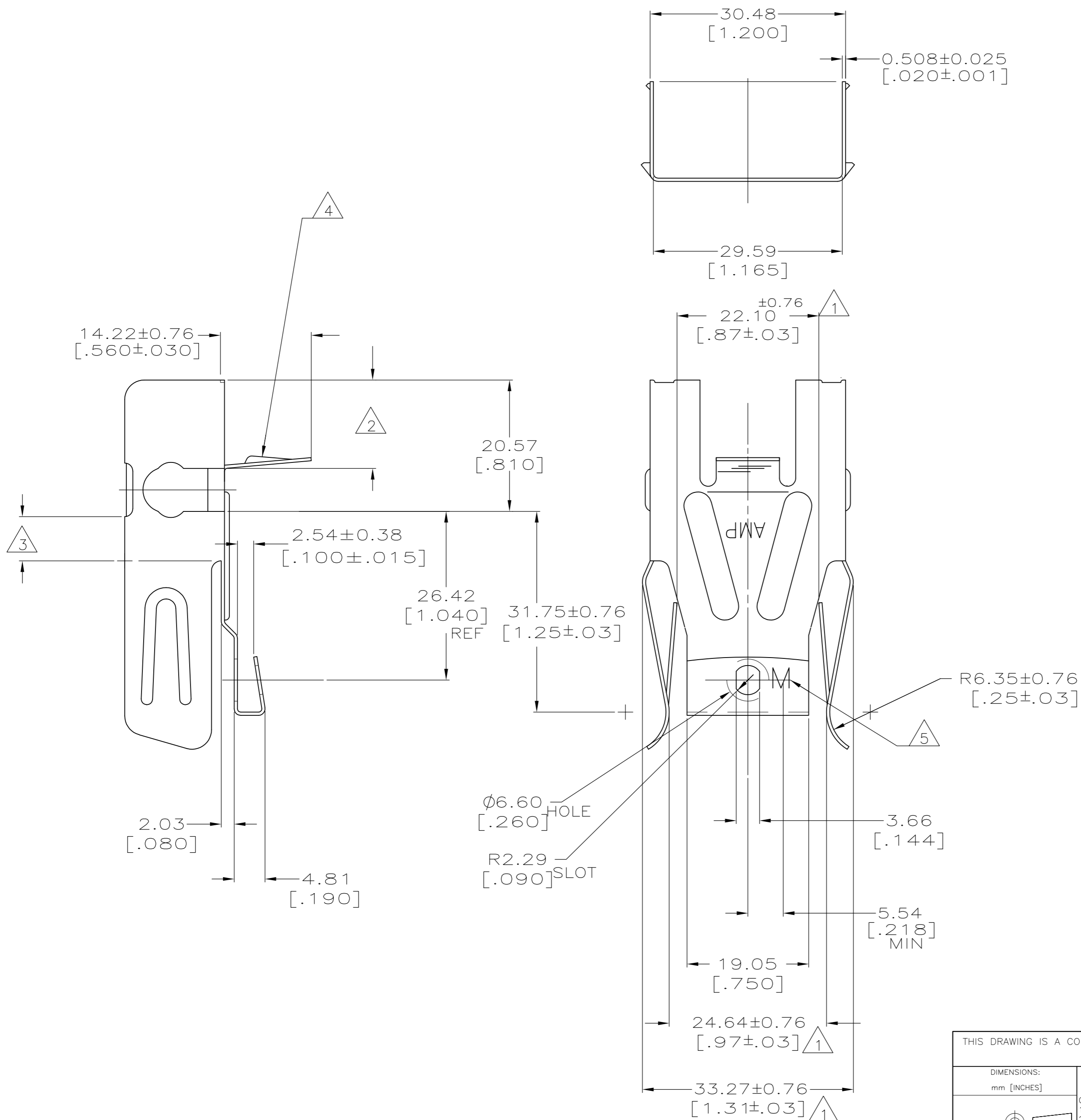


THIS DRAWING IS UNPUBLISHED. RELEASED FOR PUBLICATION
 © COPYRIGHT BY TYCO ELECTRONICS CORPORATION. ALL RIGHTS RESERVED.

LOC	DIST	REVISIONS			
P	LTR	DESCRIPTION	DATE	DWN	APVD
E2		REVISED PER ECR-13-000561	15JAN13	B.P	YH.M
E3		REVISED PER ECR-15-017388	08DEC15	J.J	T.D



- 1 DIMENSIONS TO BE CHECKED WHEN SIDES ARE PARALLEL WITH 30.61 [1.205] DIMENSION.
- 2 29.59 [1.165] DIMENSION TO BE HELD IN THIS AREA.
- 3 30.48 [1.200] DIMENSION TO BE HELD IN THIS AREA.
- 4 FOR #10-32 MACHINE SCREW.
- 5 STAMP M 3.18 [.125] LOCATE APPROXIMATELY AS SHOWN.
- 6 SUPERSEDED BY 640750-1.

6 OBSOLETE 1217802-1
 PART NUMBER

THIS DRAWING IS A CONTROLLED DOCUMENT.		DWN	20MAR2002	Tyco Electronics Corporation Harrisburg, PA 17105-3608	
DIMENSIONS: mm [INCHES]		CHK	20MAR2002	NAME	
TOLERANCES UNLESS OTHERWISE SPECIFIED:		APVD	20MAR2002	CLIP, CONNECTOR HEAVY DUTY BURNER	
0 PLC	± -	PRODUCT SPEC		SIZE	CAGE CODE
1 PLC	± -	APPLICATION SPEC	114-1028	A2	00779
2 PLC	± 0.25[.010]	WEIGHT	-	SCALE	2:1
3 PLC	± -	CUSTOMER DRAWING		SHEET	1 OF 1
4 PLC	± -			REV	E3
ANGLES	± -				
MATERIAL	FINISH				
1/4 HARD	-				