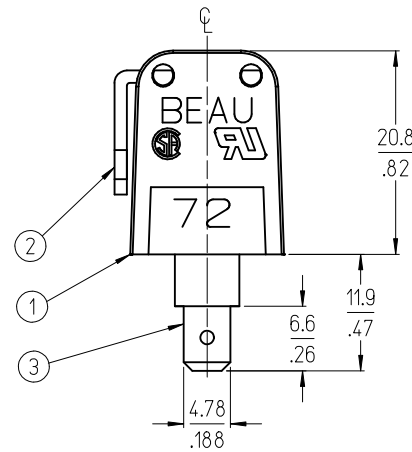
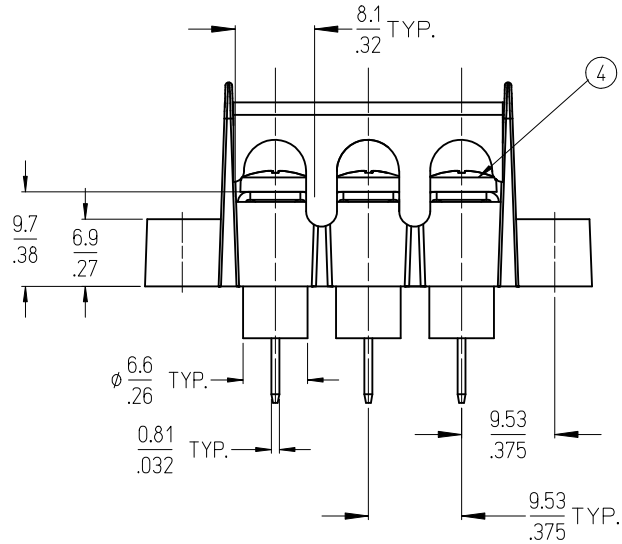


REF. VIEW SHOWN WITH COVER ROTATED UP



NOTES:

- 1. MATERIAL: SEE TABLE
- 2. FINISHES: SEE TABLE
- 3. ROHS COMPLIANT

| | | | | |
|------|------|-------------------------------------|-----------------|--------------------|
| 4 | 3 | SCREW, #6-32X.250 BHD, PH/SL (STD.) | STEEL | ZN, CLEAR CHROMATE |
| 3 | 3 | TERMINAL FT, #6-32 | BRASS | TIN PLATE |
| 2 | 1 | COVER, HINGE | POLYESTER (PBT) | BLACK |
| 1 | 1 | INSULATOR, SR BTS 3 MONTG H | POLYESTER (PBT) | BLACK |
| ITEM | QTY. | DESCRIPTION | MATERIAL NO. | ENGINEERING NO. |

| | | | | | | |
|---|--|---|-----------------|---|---|------------------------|
| INITIAL RELEASE EC NO: WNA2011-0003 DRWN: JENCINAS 2010/07/21 CHKD: 2010/08/16 APPR: JMACNEIL 2010/08/16 REV A | QUALITY SYMBOLS | GENERAL TOLERANCES (UNLESS SPECIFIED) | DIMENSION STYLE | SCALE | DESIGN UNITS | THIRD ANGLE PROJECTION |
| | $\nabla=0$ $\nabla=0$ | mm INCH 4 PLACES ± --- ± --- 3 PLACES ± --- ± .005 2 PLACES ± 0.13 ± .010 1 PLACE ± 0.3 ± --- ANGULAR ± 2 ° | MM/IN | 2:1 | INCH | |
| | DRAFT WHERE APPLICABLE MUST REMAIN WITHIN DIMENSIONS | DRAWN BY DATE JENCINAS 2010/07/21 CHECKED BY DATE CLYORK 2010/07/21 APPROVED BY DATE JMACNEIL 2010/08/16 MATERIAL NO. 387291550 | TITLE | | 9.53MM [.375] SR BTS ASY W/COVER, INSUL. FT (72903-H) | |
| | | | SIZE B | MOLEX INCORPORATED DOCUMENT NO. SD-38729-059 SHEET NO. 1 OF 1 | | |