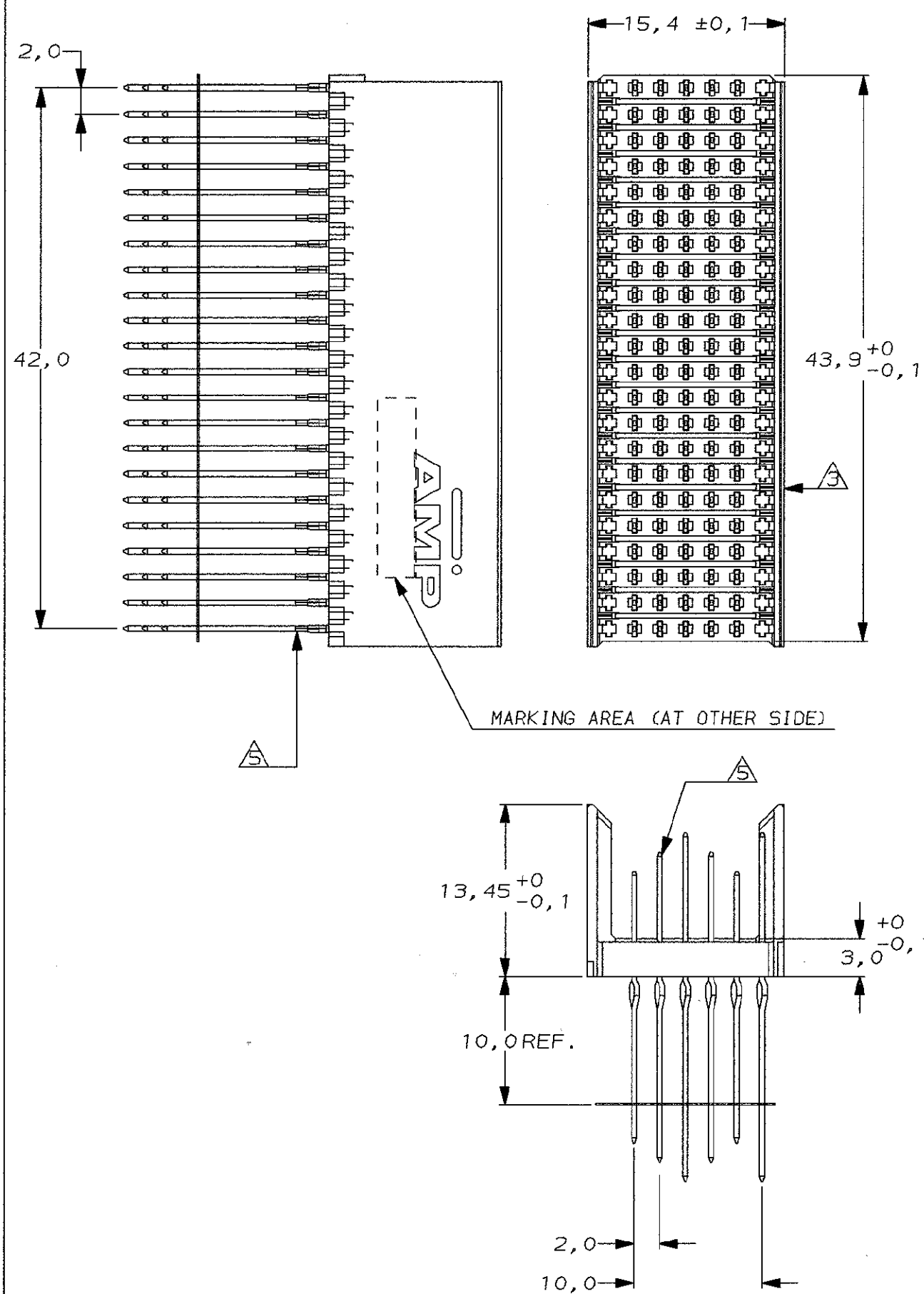
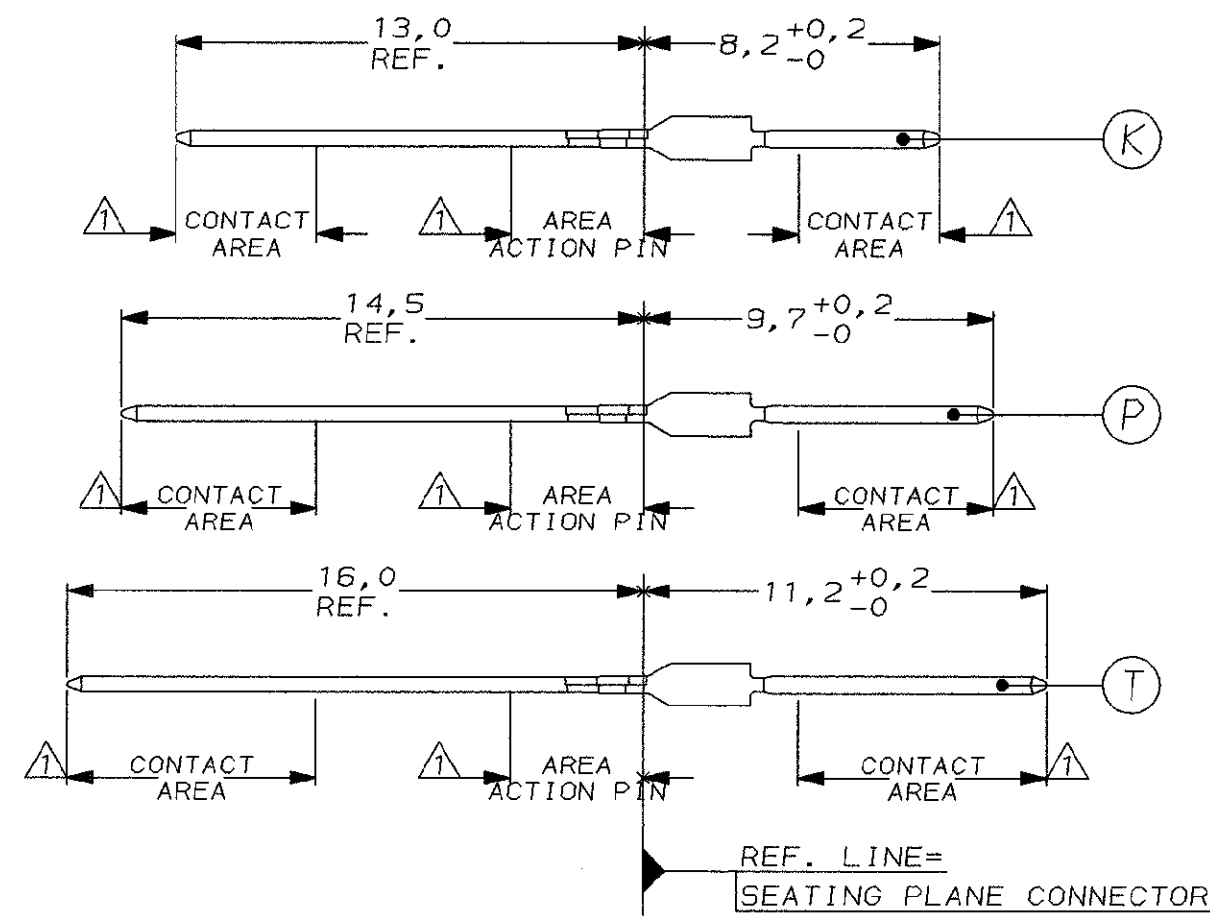


CONNECTOR ASSEMBLY
EXEMPLARY LOADED



CONTACT DIMENSIONS



DO NOT SCALE
DIMENSIONS IN mm

METRIC

THIRD ANGLE
PROJECTION

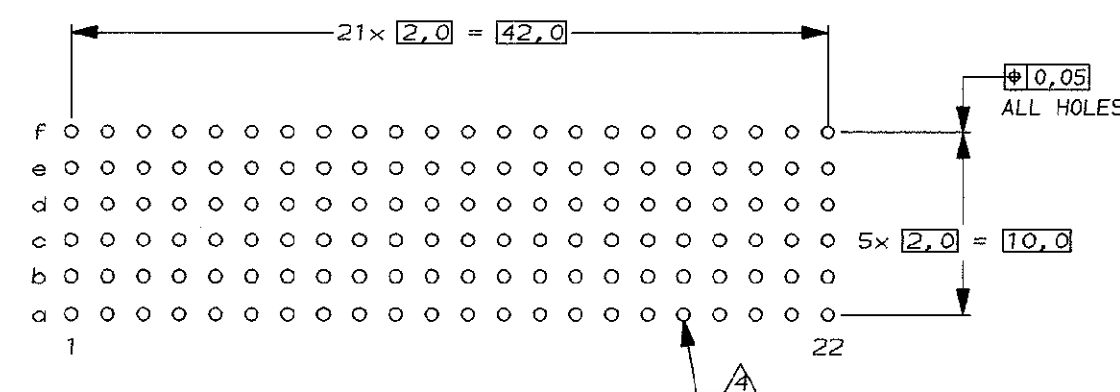
CONTACT LAYOUT

	z	a	b	c	d	e	f
1		K	K	K	K	K	T
2		K	K	K	K	K	T
3		K	K	K	K	K	T
4		K	K	K	K	K	T
5		K	K	K	K	K	T
6		K	K	K	K	K	T
7		K	K	K	K	K	T
8		K	K	K	K	K	T
9		K	K	K	K	K	T
10		K	K	K	K	K	T
11		K	K	K	K	K	T
12		K	K	K	K	K	T
13		K	K	K	K	K	T
14		K	K	K	K	K	T
15		K	K	K	K	K	T
16		K	K	K	K	K	T
17		K	K	K	K	K	T
18		K	K	K	K	K	T
19		P	P	P	P	P	T
20		P	P	P	P	P	T
21		P	P	P	P	P	T
22		P	P	P	P	P	T

PART NO.	PLATING TABLE Δ			
	UNDER-COATING $\mu\text{m Ni MIN.}$	CONTACT AREA $\mu\text{m Au MIN.}$	ACTION-PIN AREA μm	-
352360-1	1,3	0,8	0,5-2,5 Sn/Pb	-
-	-	-	-	-
-	-	-	-	-
-	-	-	-	-

NOTES:

- Δ FOR FINISH TYPES SEE PLATING TABLE.
- Δ MATERIAL CONTACT: PHOSPHORBRONZE.
MATERIAL HOUSING: GREY GLASSFILLED POLYESTER
MATERIAL POST ALIGNMENT STRIP: UNFILLED POLYESTER.
- Δ CONNECTOR MARKED WITH PART NUMBER AND DATE CODE.
- Δ PLATED-THROUGH HOLES AT 2x2mm SQUARE GRID, TOTAL 132 HOLES.
- Δ FOR ACTUAL PIN LOADING SEE "CONTACT LAYOUT".



P.C.B. HOLE DIM. ACTION PIN

DRILLED HOLE: 0,7±0,025mm
FIN. HOLE : 0,55 TO 0,65mm
Cu-thks : 0,025 TO 0,050mm
SnPb-thks : 0,004 TO 0,010mm

FINISH		MATERIAL		PART NUMBER	
-	-	-	-	-	-
-	-	-	-	-	-
-	-	-	-	-	-
-	-	-	-	-	-
-	-	-	-	-	352360-1
CUSTOMER DRAWING FOR REFERENCE ONLY WILL NOT BE UPDATED					
© COPYRIGHT 1999 BY AMP HOLLAND B.V. ALL INTERNATIONAL RIGHTS RESERVED. AMP PRODUCTS MAY BE COVERED BY U.S. AND FOREIGN AND/OR PATENTS PENDING. THIS DRAWING IS UNPUBLISHED RELEASED FOR PUBLICATION					
B	EH-0342-00	HHD	LvdR	10-MAR-00	AMP HOLLAND B.V. 's-Hertogenbosch, The Netherlands.
A	EH-0458-99	LvdH	LvdR	08-MAR-99	
O	-	LvdH	WvdH	27-FEB-98	AMP HOLLAND B.V. 's-Hertogenbosch, The Netherlands.
NAME		Z-PACK 2mm HM TYPE B		132 POS. MALE	
LTR.		REVISION RECORD		DR. CHK. DATE	
DR. : L.V.D.HEIJDEN		CHK. : L.V.D.HEIJDEN		APP. : F.V.KONINGSBRUGGE	
DATE: 27-FEB-98		DATE: 27-FEB-98		DATE: -	
Dwg. No. C-352360				REV. LTR. SHEET B 1 of 1	