

# SAC-4P-M12MS FF TR VA - Termination resistor



1431403

<https://www.phoenixcontact.com/us/products/1431403>

Please be informed that the data shown in this PDF document is generated from our online catalog. Please find the complete data in the user documentation. Our general terms of use for downloads are valid.

FOUNDATION Fieldbus™ termination resistor, 4-pos., M12 connector, high-grade steel knurl



## Commercial data

Item number	1431403
Packing unit	1 pc
Minimum order quantity	5 pc
Sales key	BF10
Product key	BF1GVX
Catalog page	Page 437 (C-2-2019)
GTIN	4046356431644
Weight per piece (including packing)	12.06 g
Weight per piece (excluding packing)	12.06 g
Customs tariff number	85332100
Country of origin	PL

# SAC-4P-M12MS FF TR VA - Termination resistor



1431403

<https://www.phoenixcontact.com/us/products/1431403>

## Technical data

### Product properties

Product type	Terminal resistor
Number of positions	4

### Insulation characteristics

Overvoltage category	II
Degree of pollution	3

### Electrical properties

Contact resistance	$\leq 5 \text{ m}\Omega$
Insulation resistance	$\geq 100 \text{ M}\Omega$
Nominal voltage $U_N$	24 V AC
	24 V DC

### General

Termination resistor	100 $\Omega$ (Contact 1 and 2, with 1 $\mu\text{F}$ capacitor)
----------------------	--

### Signaling

Status display	No
Status display present	No

### Material specifications

Flammability rating according to UL 94	HB
Seal material	NBR
Material of grip body	TPU, hardly inflammable, self-extinguishing
Contact material	CuZn
Contact surface material	Ni/Au
Contact carrier material	TPU GF
Material for screw connection	Stainless steel

### Connector

#### Connection 1

Type	Plug straight M12
Number of positions	4
	4

### Mechanical properties

#### Mechanical data

Insertion/withdrawal cycles	$\geq 100$
-----------------------------	------------

### Environmental and real-life conditions

# SAC-4P-M12MS FF TR VA - Termination resistor



1431403

<https://www.phoenixcontact.com/us/products/1431403>

## Ambient conditions

Degree of protection	IP65
	IP67
	IP68
	IP69K
Ambient temperature (operation)	-25 °C ... 90 °C (Plug / socket)

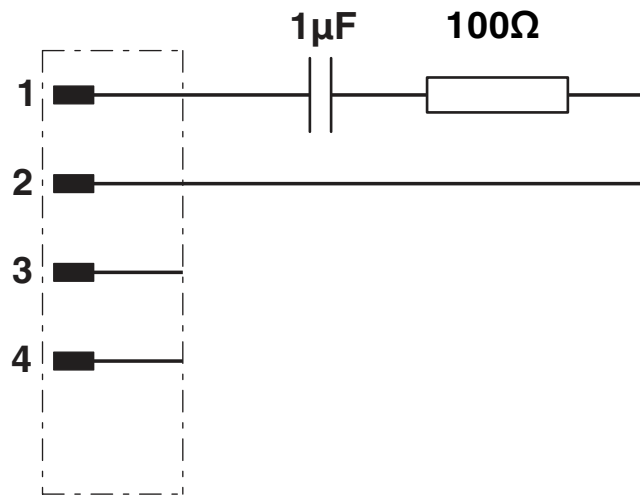
# SAC-4P-M12MS FF TR VA - Termination resistor

1431403

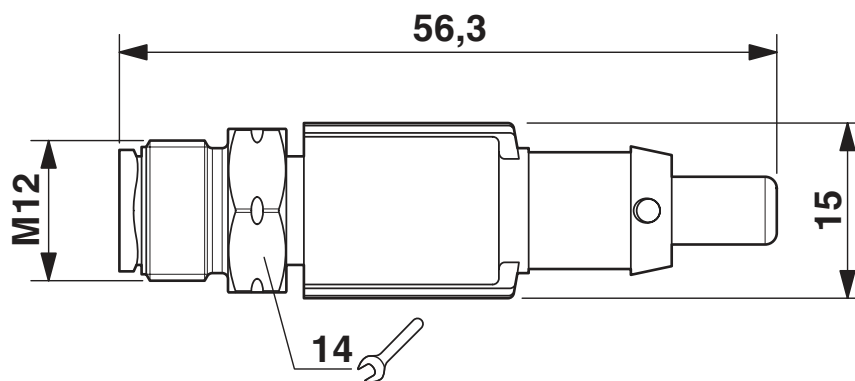
<https://www.phoenixcontact.com/us/products/1431403>

## Drawings

Circuit diagram



Dimensional drawing



M12 termination resistor

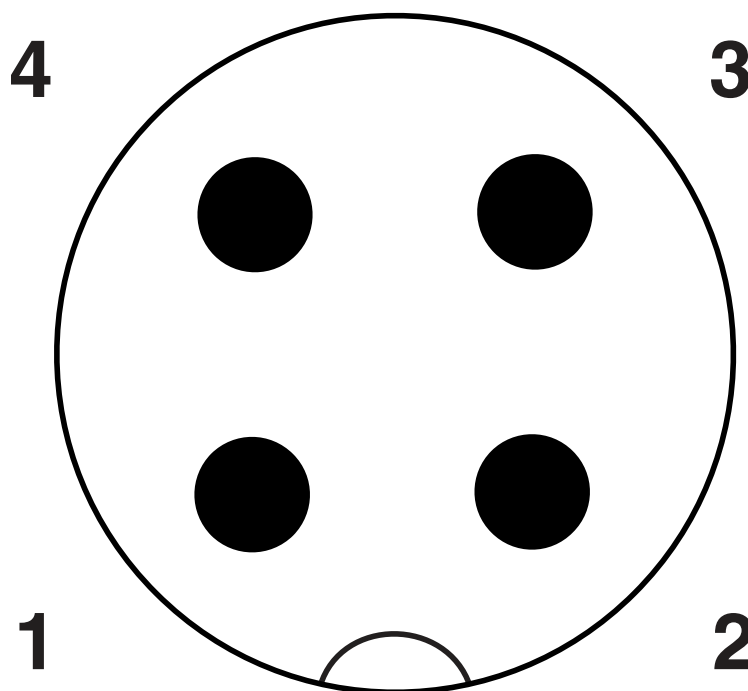
# SAC-4P-M12MS FF TR VA - Termination resistor

1431403

<https://www.phoenixcontact.com/us/products/1431403>



Schematic diagram



Pin assignment M12 male connector, 4-pos., D-coded, male side

# SAC-4P-M12MS FF TR VA - Termination resistor



1431403

<https://www.phoenixcontact.com/us/products/1431403>

## Classifications

### ECLASS

ECLASS-11.0	19070403
ECLASS-12.0	19070403
ECLASS-13.0	19070403

### ETIM

ETIM 8.0	EC000448
----------	----------

### UNSPSC

UNSPSC 21.0	32121600
-------------	----------

# SAC-4P-M12MS FF TR VA - Termination resistor



1431403

<https://www.phoenixcontact.com/us/products/1431403>

## Environmental product compliance

China RoHS	Environmentally friendly use period: unlimited = EFUP-e No hazardous substances above threshold values
------------	---

Phoenix Contact 2023 © - all rights reserved  
<https://www.phoenixcontact.com>

Phoenix Contact USA  
586 Fulling Mill Road  
Middletown, PA 17057, United States  
(+717) 944-1300  
[info@phoenixcon.com](mailto:info@phoenixcon.com)