

10135278 - 10X LF

LEAD-FREE DESIGNATION
ONLY WITH APPLICABLE
PLATING CODES

SEE NOTE 2

LETTER DESIGNATION REPRESENTED IN DASH NUMBER

MODULE DESCRIPTION	LETTER DESIGNATION REPRESENTED IN DASH NUMBER										BASE MODULE
LEFT POLARIZING GUIDANCE MODULE (SEE SHEET 3)	N	J (NO KEY)	A	B	C	D	E	F	G	H	
	NO KEY NO GUIDE PIN										
RIGHT POLARIZING GUIDANCE MODULE (SEE SHEET 2)	Z	Y (NO KEY)	P	Q	R	S	T	U	V	W	
	NO KEY NO GUIDE PIN										

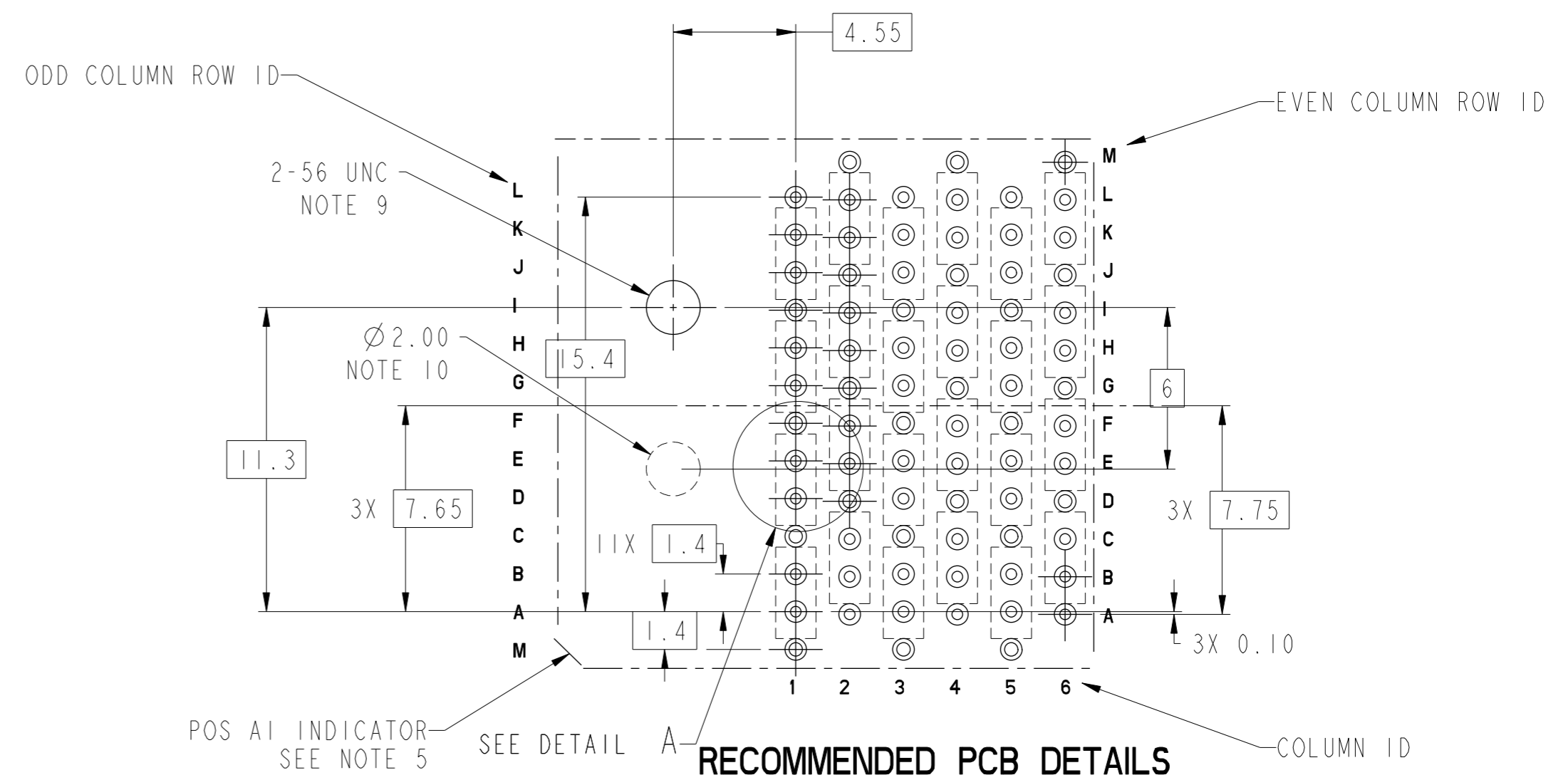
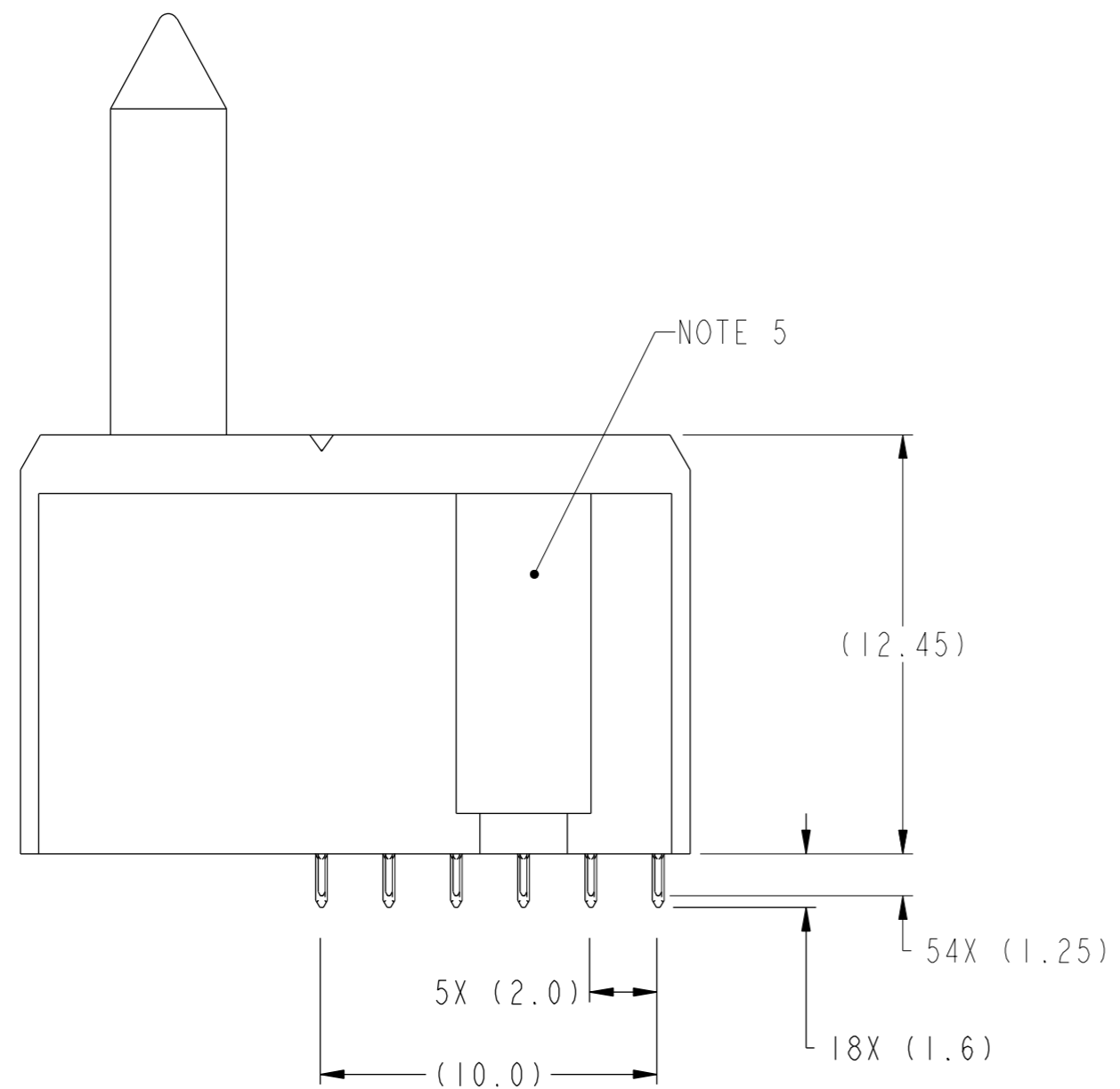
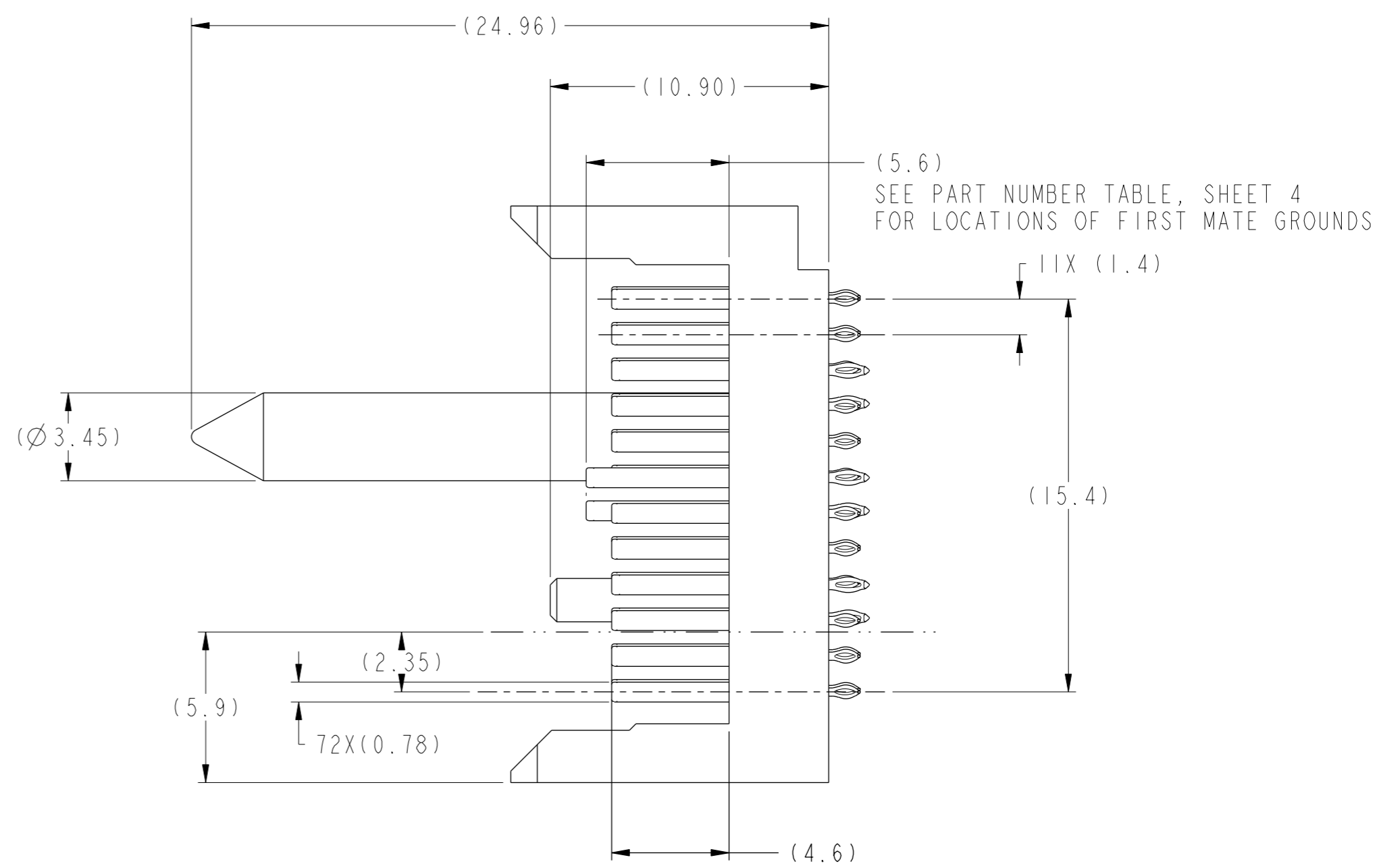
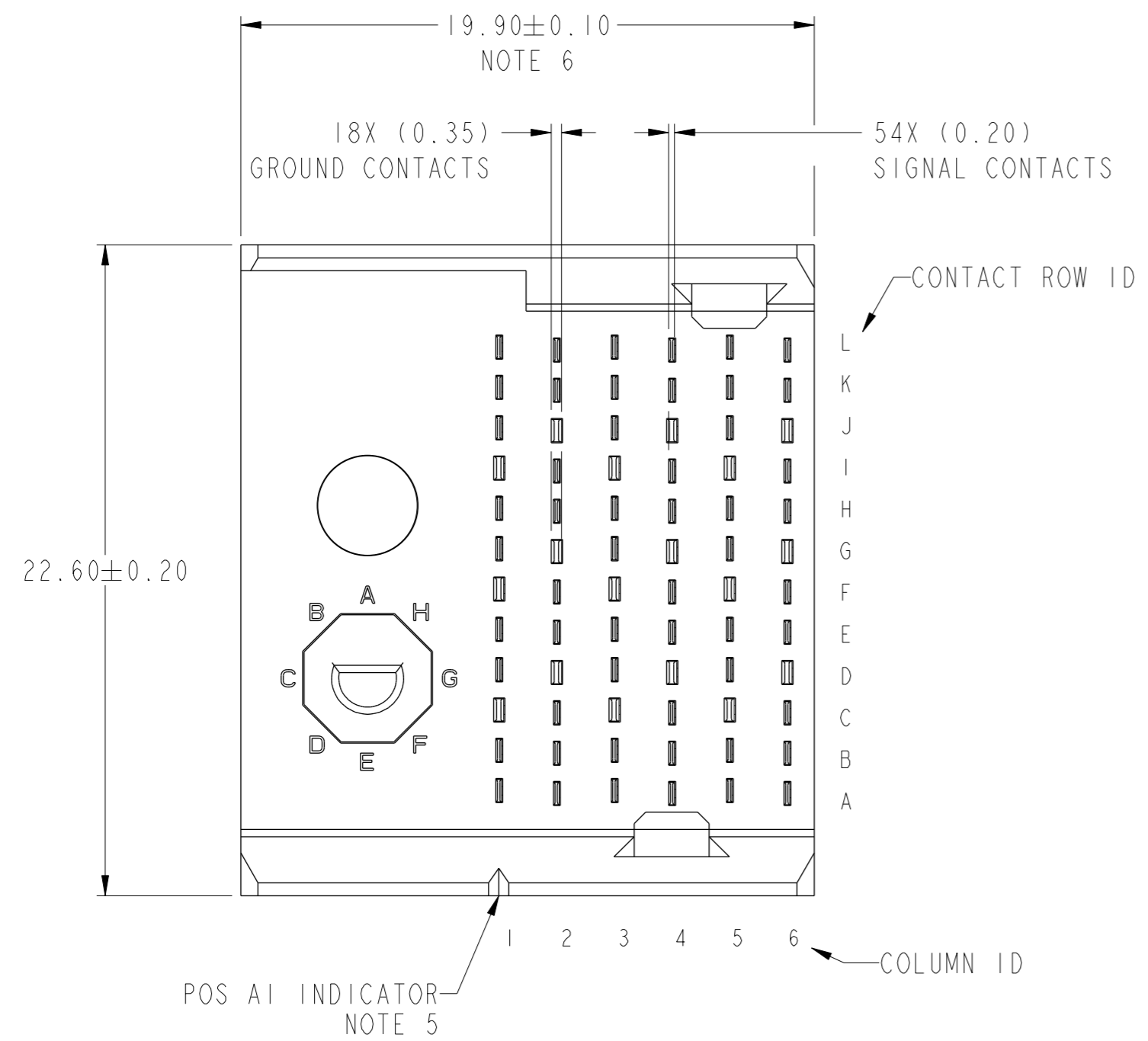
Amphenol
FCi

© 2016 AFci

NOT TOOLED
PRELIMINARY

spec ref	-	dr	Tao Zhan	201505/18	projection	MM	size	A2	scale	5:1
tolerance std	ASME Y14.5	eng	Tao Zhan	201603/14	chr	-	ecn no	-	rel level	Preliminary
surface	-	appr	-	-	product family	AIRMAX VS2	cat. no.	-	Product - Customer Drw	sheet 1 of 4
ASME Y14.5	linear	0.X	±0.3	0.XX	±0.15	0.XXX	±0.050	angular	0°	±2°
		Amphenol FCi		TITLE		AIRMAX VERTICAL HEADER		dwg no		10135278
						PRESS-FIT, 4-PAIR, 72 POS, W/G		rev		1

LEFT POLARIZING WITH GUIDE



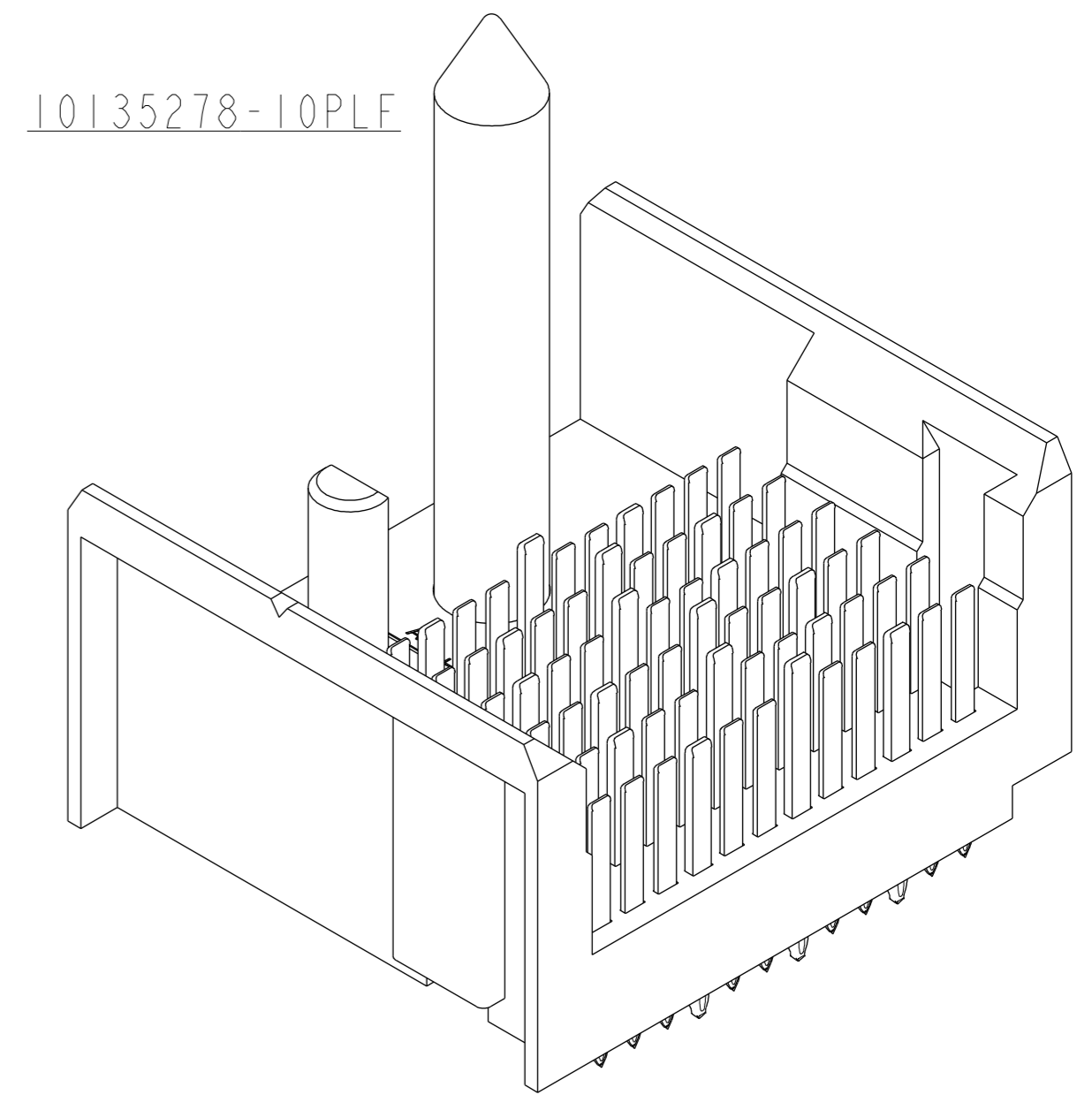
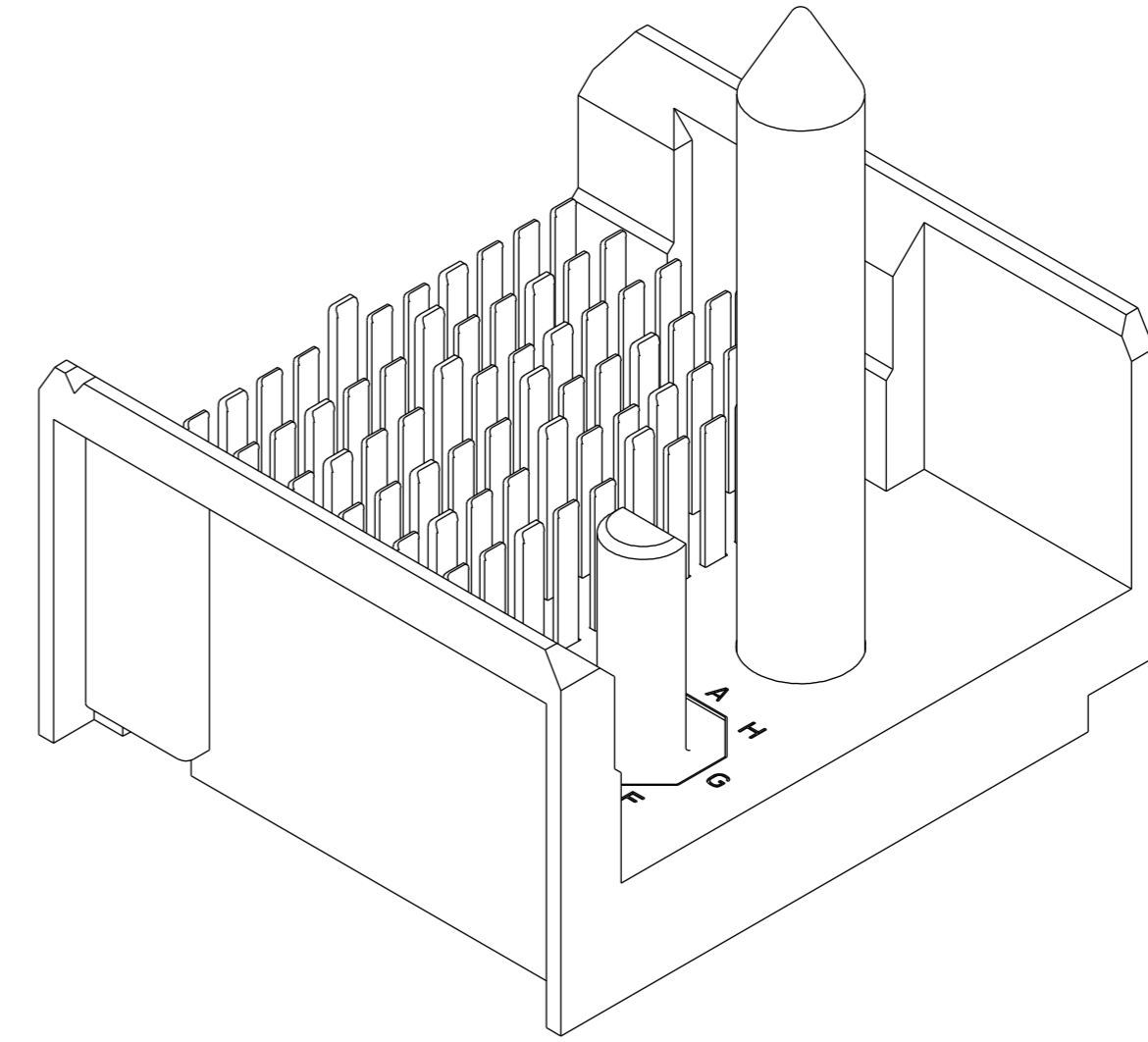
Amphenol
FCi

© 2016 AFci

spec ref	-	dr	Tao Zhan	2015/05/18	projection	MM	size	A2	scale	5:1
tolerance std	ASME Y14.5	eng	Tao Zhan	2016/03/14	chr	-	ecn no	-	rel level	Preliminary
surface	-	appr	-	-	product family	AIRMAX VS2	cat. no.	-	Product - Customer Drw	sheet 3 of 4
ASME Y14.5	linear	0.X	±0.3	0.XX	±0.15	0.XXX	±0.050	angular	0°	±2°
Amphenol FCI AIRMAX VERTICAL HEADER PRESS-FIT, 4-PAIR, 72 POS, W/G							10135278 rev 1			

PRELIMINARY

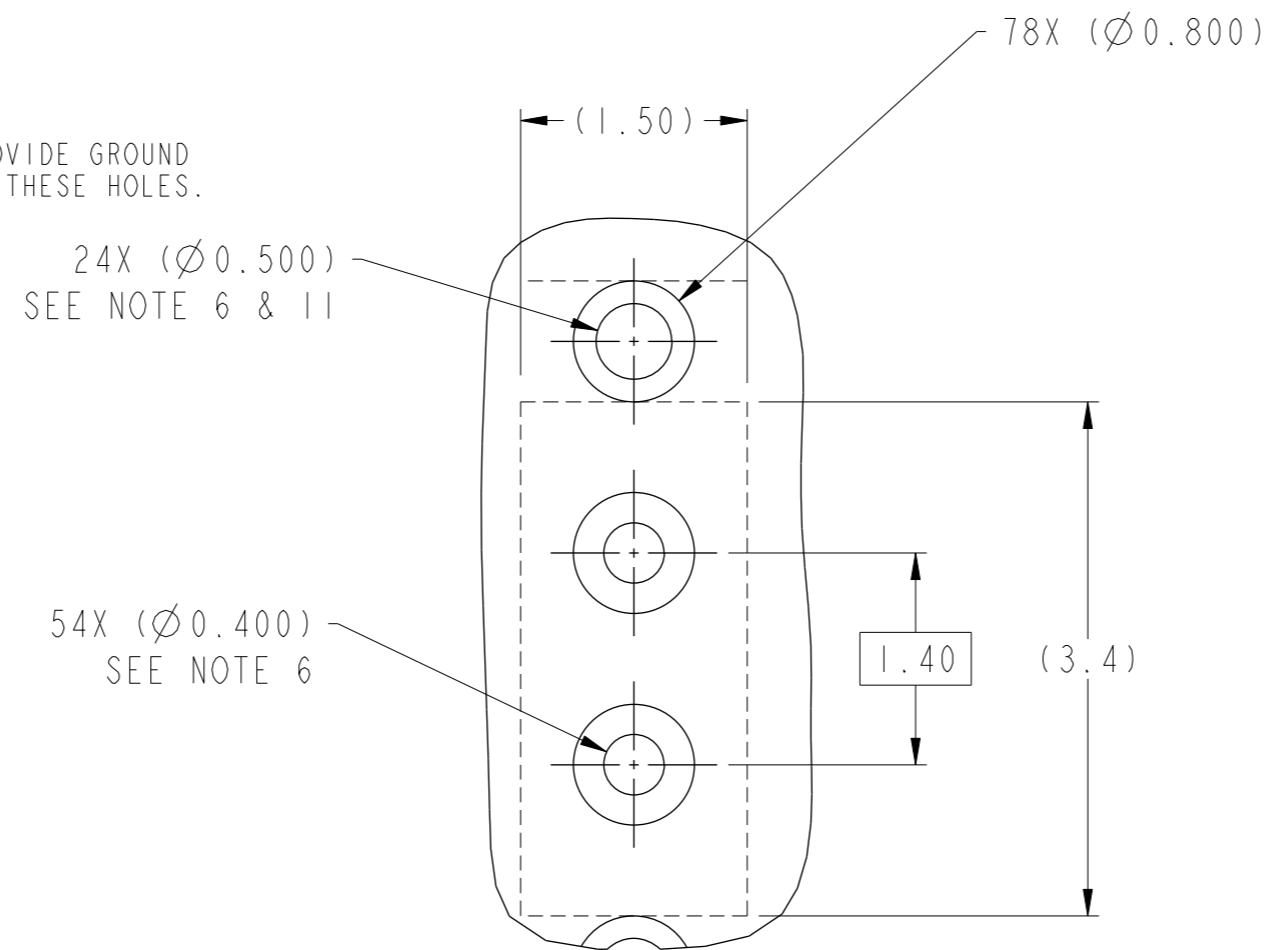
PART NUMBER	PRESS-FIT TAIL PLATING TYPE	FIRST MATE PIN LOCATIONS
10135278-10*LF	TIN OVER NICKEL (LEAD FREE)	F1, F3, F5 G2, G4, G6



10135278-10ALF

NOTES:

1. CONNECTOR MATERIALS:
HOUSING: HIGH TEMP THERMOPLASTIC, BLACK, UL94V-0
CONTACT: COPPER ALLOY
2. CONTACT PLATING:
SEPARABLE INTERFACE: PERFORMANCE-BASED PLATING, QUALIFIED TO MEET THE REQUIREMENTS OF FCI PRODUCT SPECIFICATION GS-12-0956 INCLUDING TELCORDIA GR-1217-CORE (NOVEMBER 1995) CENTRAL OFFICE TEST SEQUENCE
PRESS-FIT TAILS: SEE TABLE
3. PRODUCT SPECIFICATION: GS-12-239.
4. APPLICATION SPECIFICATION: GS-20-035.
5. CONNECTOR OUTLINE WITH HOUSING POS AI INDICATOR MAY BE SCREEN PRINTED ONTO CUSTOMER PCB TO BE USED AS A GUIDE FOR MANUAL CONNECTOR PLACEMENT.
6. REFER TO CUSTOMER DRAWING 10104444 FOR INFORMATION ON PCB HOLE DIAMETERS AND PLATING OPTIONS.
7. THIS PRODUCT MEETS EUROPEAN UNION DIRECTIVES AND OTHER COUNTRY REGULATIONS AS DESCRIBED IN GS-22-008.
8. PACKAGING MEETS GS-14-920 LEAD FREE LABELING SPECIFICATION.
9. THE SCREW THREAD ON THE CONNECTOR IS 2-56 UNC -2B TAP 8.60 MM, #50 DRILL (1.778) TAP 8.80 MM.
10. NO CIRCUIT IN THIS AREA SURFACE.
11. THE OUTER VIAS IN COLUMN M ARE OPTIONAL. IF ADDED THESE HOLES PROVIDE GROUND SYMMETRY THROUGH THE PCB. NO CONNECTOR EONS WILL BE PRESSED INTO THESE HOLES.



DETAIL A
SCALE 20:1

spec ref	-	dr	Tao Zhan	201505/18	projection	MM	size	A2	scale	5:1	
tolerance std	ASME Y14.5	eng	Tao Zhan	201603/14	chr	-	ecn no	-	rel level	Preliminary	
TOLERANCES UNLESS OTHERWISE SPECIFIED		appr	-	-	product family	AIRMAX VS2	rel level	Preliminary	cat. no.	10135278	
surface	-	linear	0.X	±0.3	Amphenol FCI		title	AIRMAX VERTICAL HEADER		rev	1
			0.XX	±0.15				PRESS-FIT, 4-PAIR, 72 POS, W/G			
			0.XXX	±0.050				Product - Customer Drw		sheet 4 of 4	
ASME Y14.5	angular		0°	±2°							

PRELIMINARY

Amphenol FCI

© 2016 APCI