

ULV4 SERIES ANTI-VANDAL SWITCH

ANTI-VANDAL SWITCHES
DETECTOR SWITCHES
DIP SWITCHES
KEYLOCK SWITCHES
NAVIGATION SWITCHES
PUSHBUTTON SWITCHES
ROCKER SWITCHES
ROTARY SWITCHES
SLIDE SWITCHES
SNAP ACTION SWITCHES
TACTILE SWITCHES
TOGGLE SWITCHES
CAP OPTIONS



APPLICATIONS / MARKETS



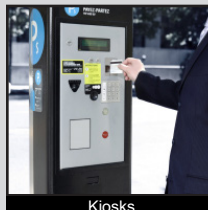
Commercial Appliances



Security Devices



Industrial Controls



Kiosks



Electrical Housewares



Medical Equipment



RoHS

SPECIFICATIONS

Electrical Rating: 3A, 125/250VAC
Mechanical Life: 1,000,000 cycles (momentary); 500,000 cycles (latching)
Electrical Life: 50,000 Cycles
Contact Resistance: 50mΩ Max. at 1A 12VDC
Insulation Resistance: 1,000MΩ min. @ 500 VDC
Dielectric Strength: 2,000VAC for 1 minute
Operating/Storage Temperature: -20°C to 55°C
Travel: 3.2mm
Moisture Protection: IP67
Contact Arrangement: SPDT or DPDT
Actuation Force: SPDT: 2.5N; DPDT: 3.5N,
 Molded Back: SPDT & DPDT: 5.5N
Panel Thickness: 1-10mm
Hex Nut Torque: 5-14Nm
Mechanical Impact Protection: IK10 (Stainless)
Agency Approvals: cURus

FEATURES & BENEFITS

- 19mm diameter panel cutout
- Dot or ring or power illumination options available
- Multiple switch functions available
- Multiple illumination voltage and color options
- IP67 rated
- SPDT or DPDT
- UL Certified
- Custom graphics available
- Soldered wire leads (300mm long) optional
- Detachable socket w/ wire leads (500mm long) optional
- Molded back w/ wire leads (500mm long) optional

PART NUMBER CONFIGURATOR

Series	Actuator	Terminal	Function	Body Finish	Actuator Finish	Contact Material	Lens Style	LED Color	Illumination Voltage	Graphic Options
ULV4	F - Flat	2 - Solder Lug W - Wire Leads 300mm long P - Detachable Socket w/ Wire Leads 500mm long M - Molded Back w/ Wire Leads 500mm long	3 - 1P ON-ON B - 1P ON-(ON)* G - 2P ON-ON H - 2P ON-(ON)*	N - Nickel Plated S - Stainless Steel 1 - Black Anodized	N - Nickel Plated S - Stainless Steel 1 - Black Anodized L - Silver for Graphic	None - Silver G - Gold	None - Non-Illuminated 2 - Dot Illumination 3 - Ring Illumination, moveable with actuator 5 - Power symbol Illumination L - Graphic Illumination (Only Available with L Actuator Finish)	None - Non-Illuminated 0 - White 1 - Red 2 - Orange 3 - Green 4 - Blue 5 - Yellow F - Red / Orange G - Red / Green H - Red / Blue J - Red / Yellow K - Orange / Green N - Blue / Green P - Green / Yellow Q - Blue / Yellow	None - Non-Illuminated 1 - 3V 3 - 6V 4 - 12V 5 - 24V 6 - 110V 7 - 220V	L17 - Bluetooth L18 - Wifi L20 - START L21 - OFF L22 - ON L35 - STOP For more standard options reference the Graphic Options pages of Data Sheet

NOTES:
 *() denotes function is momentary
 Call us for custom graphic options 800-867-2717

Specifications subject to change without notice 8.1.2022



E-SWITCH®

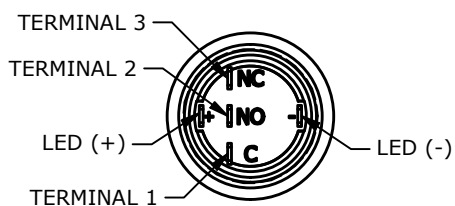
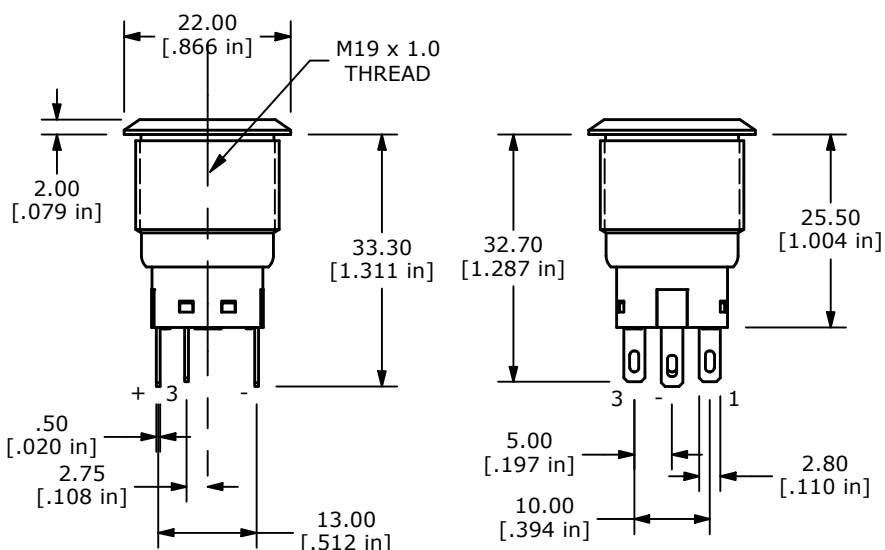
www.e-switch.com

800.867.2717

1

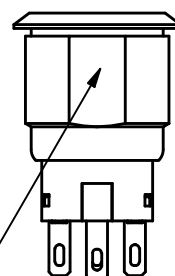
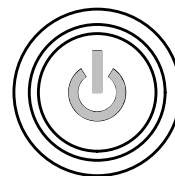
ULV4 SERIES ANTI-VANDAL SWITCH

BODY DIMENSIONS - SPDT

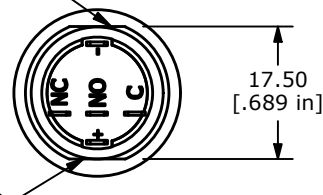


SPDT ILLUMINATED OPTION SHOWN.
THE LED (+) AND LED (-) TERMINALS ARE NOT INCLUDED ON THE NON-ILLUMINATED OPTIONS

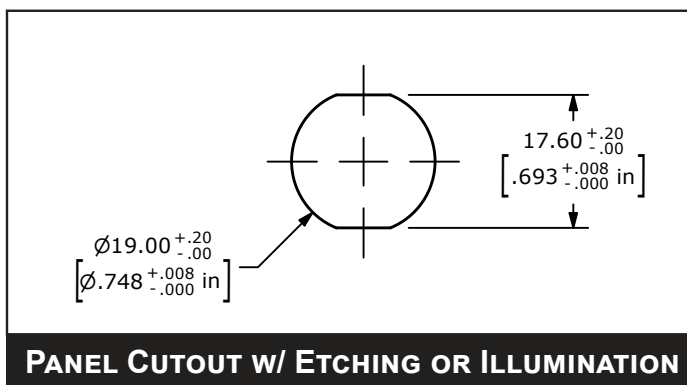
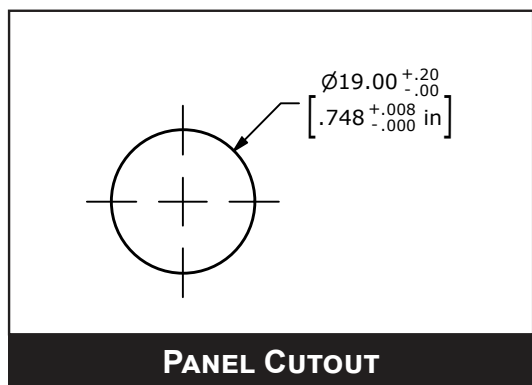
SPDT SWITCH DIMENSIONS



ORIENTATION FEATURE ON SWITCHES WITH GRAPHICS OR ILLUMINATED POWER SYMBOL

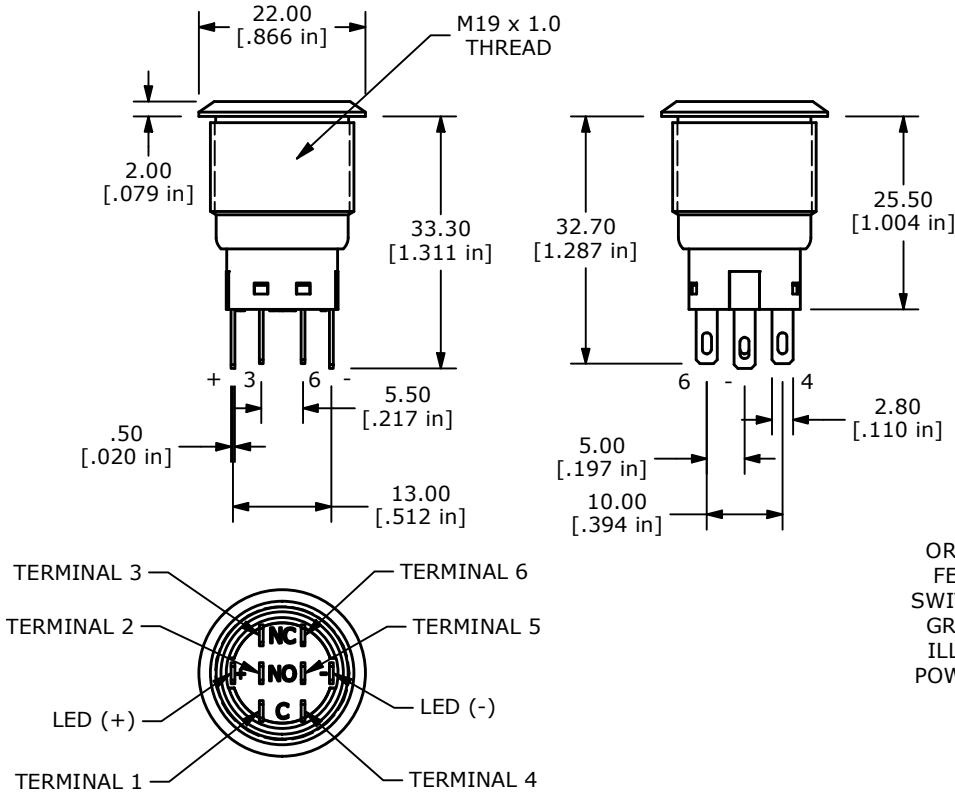


GRAPHIC OPTIONS

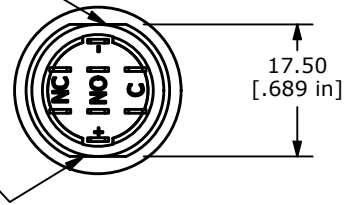
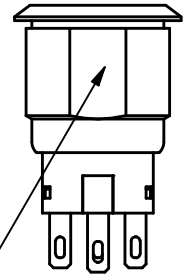
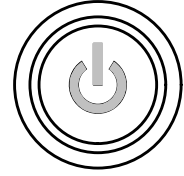


ULV4 SERIES ANTI-VANDAL SWITCH

BODY DIMENSIONS - DPDT



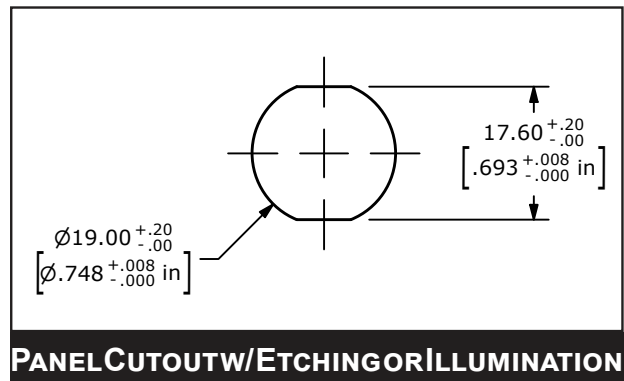
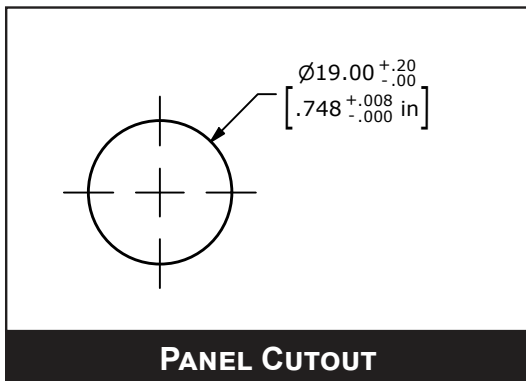
ORIENTATION FEATURE ON SWITCHES WITH GRAPHICS OR ILLUMINATED POWER SYMBOL



DPDT ILLUMINATED OPTION SHOWN. THE LED (+) AND LED (-) TERMINALS ARE NOT INCLUDED ON THE NON-ILLUMINATED OPTIONS

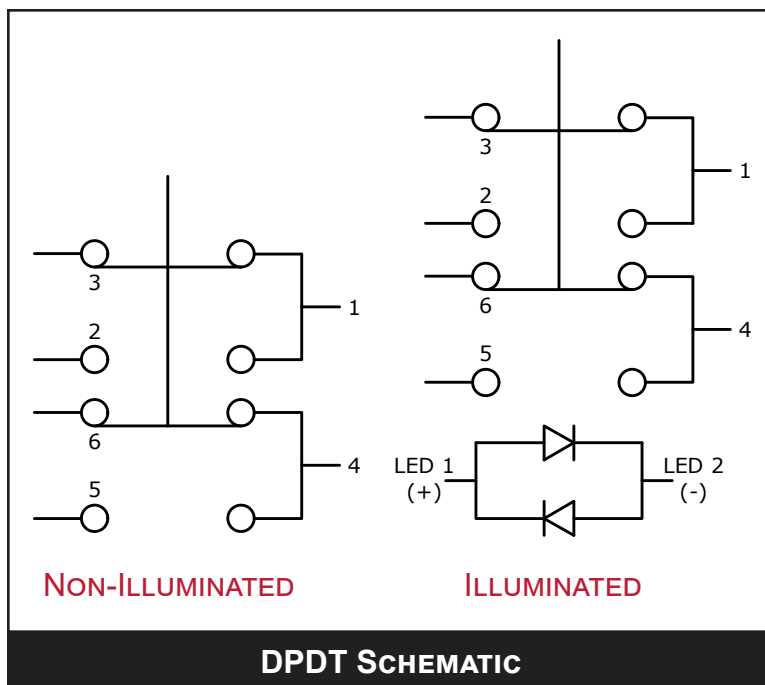
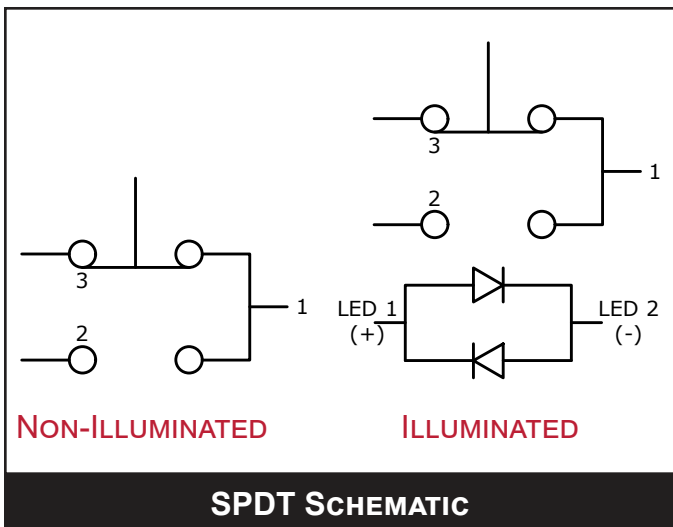
DPDT SWITCH DIMENSIONS

GRAPHIC OPTIONS

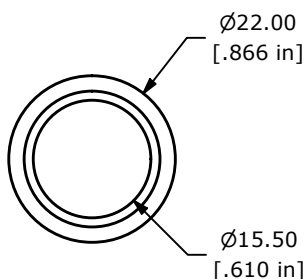


ULV4 SERIES ANTI-VANDAL SWITCH

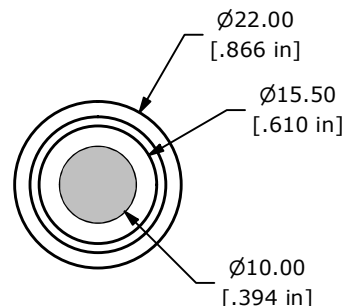
SCHEMATICS



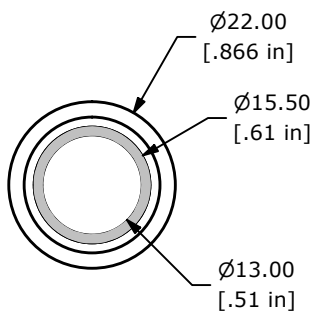
ACTUATOR OPTIONS



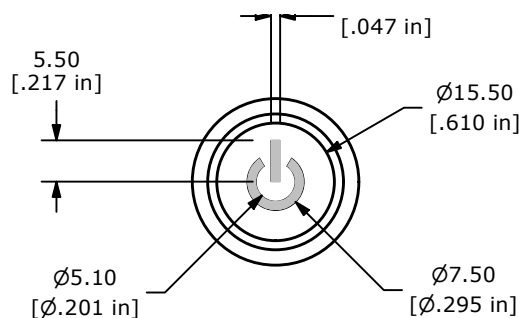
NON-ILLUMINATED



DOT ILLUMINATED



RING ILLUMINATED



POWER SYMBOL ILLUMINATED



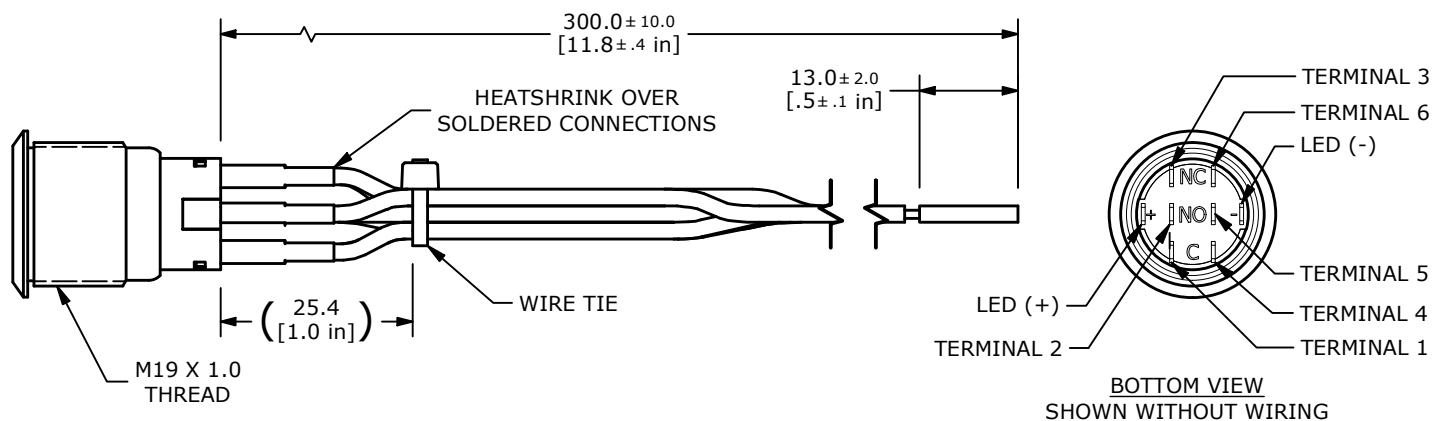
ULV4 SERIES ANTI-VANDAL SWITCH

WIRE OPTIONS

W - Wire Leads
300mm long

SWITCH	WIRE	LENGTH
SW1-1	WIRE, 24AWG AWM UL1015, BLUE	300.0 [11.8 in]
SW1-2	WIRE, 24AWG AWM UL1015, PURPLE	300.0 [11.8 in]
SW1-3	WIRE, 24AWG AWM UL1015, GREEN	300.0 [11.8 in]
SW1-4	WIRE, 24AWG AWM UL1015, WHITE	300.0 [11.8 in]
SW1-5	WIRE, 24AWG AWM UL1015, ORANGE	300.0 [11.8 in]
SW1-6	WIRE, 24AWG AWM UL1015, YELLOW	300.0 [11.8 in]
SW1- (-)	WIRE, 24AWG AWM UL1015, BLACK	300.0 [11.8 in]
SW1- (+)	WIRE, 24AWG AWM UL1015, RED	300.0 [11.8 in]

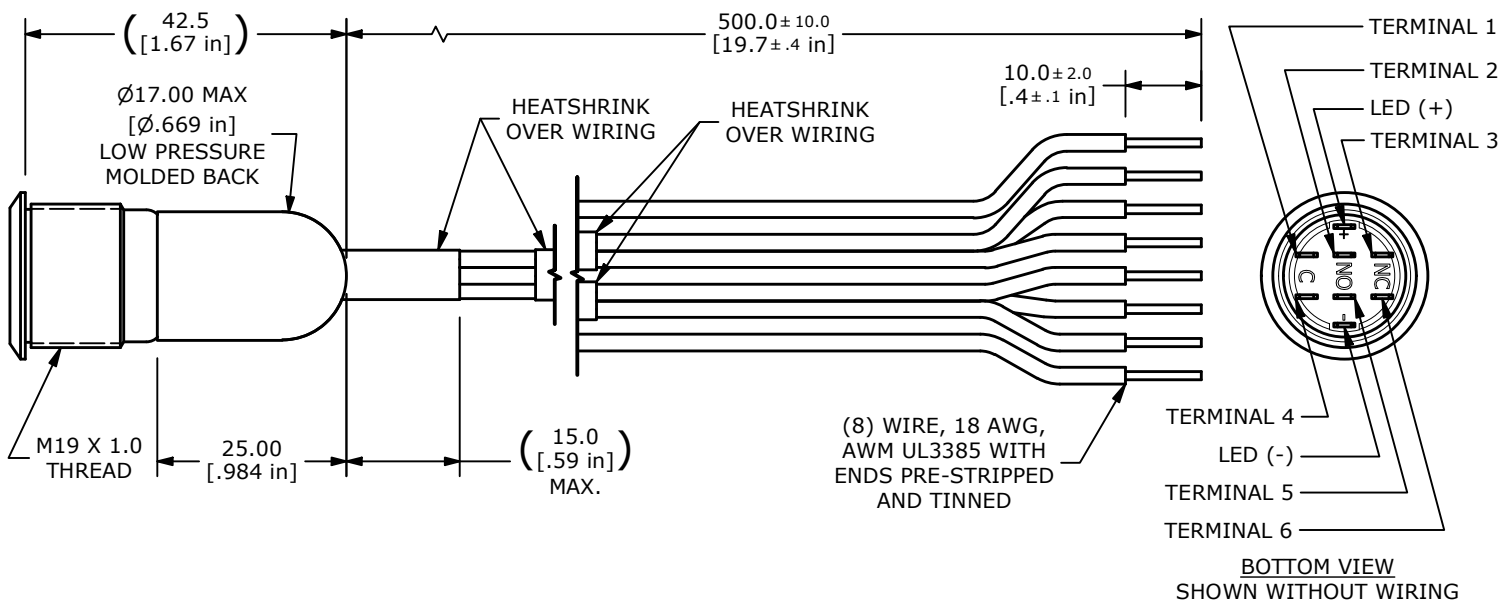
** WIRE LEADS PROVIDED ARE DEPENDENT ON THE FUNCTION SELECTED **



M - Molded Back w/ Wire Leads
500mm long

SWITCH	WIRE	LENGTH
SW1-1	WIRE, 18 AWG AWM UL3385, GREEN	500.0 [19.7 in]
SW1-2	WIRE, 18 AWG AWM UL3385, PURPLE	500.0 [19.7 in]
SW1-3	WIRE, 18 AWG AWM UL3385, YELLOW	500.0 [19.7 in]
SW1-4	WIRE, 18 AWG AWM UL3385, GREEN	500.0 [19.7 in]
SW1-5	WIRE, 18 AWG AWM UL3385, PURPLE	500.0 [19.7 in]
SW1-6	WIRE, 18 AWG AWM UL3385, YELLOW	500.0 [19.7 in]
SW1- (-)	WIRE, 18 AWG AWM UL3385, BLACK	500.0 [19.7 in]
SW1- (+)	WIRE, 18 AWG AWM UL3385, RED	500.0 [19.7 in]

** WIRE LEADS PROVIDED ARE DEPENDENT ON THE FUNCTION SELECTED **



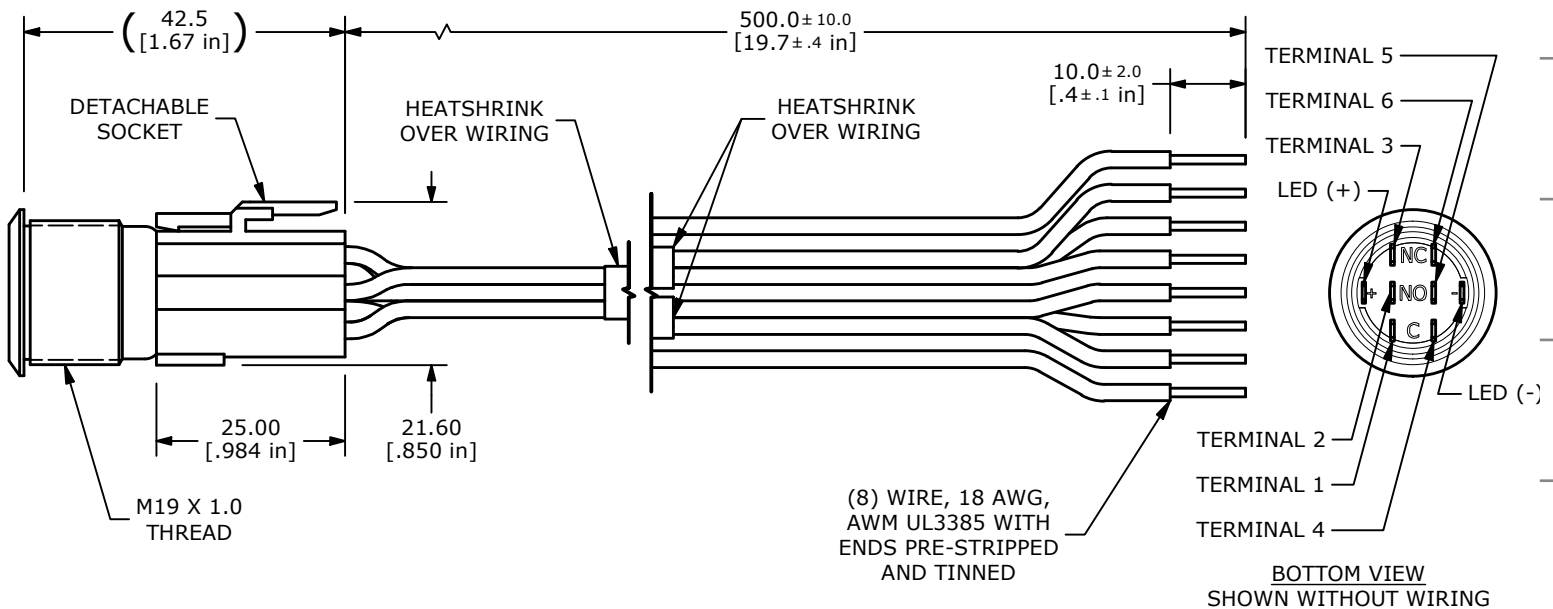
ULV4 SERIES ANTI-VANDAL SWITCH

WIRE OPTIONS

P - Detachable Socket
w/ Wire Leads
500mm long

SWITCH	WIRE	LENGTH
SW1-1	WIRE, 18 AWG AWM UL3385, GREEN	500.0 [19.7 in]
SW1-2	WIRE, 18 AWG AWM UL3385, PURPLE	500.0 [19.7 in]
SW1-3	WIRE, 18 AWG AWM UL3385, YELLOW	500.0 [19.7 in]
SW1-4	WIRE, 18 AWG AWM UL3385, GREEN	500.0 [19.7 in]
SW1-5	WIRE, 18 AWG AWM UL3385, PURPLE	500.0 [19.7 in]
SW1-6	WIRE, 18 AWG AWM UL3385, YELLOW	500.0 [19.7 in]
SW1- (-)	WIRE, 18 AWG AWM UL3385, BLACK	500.0 [19.7 in]
SW1- (+)	WIRE, 18 AWG AWM UL3385, RED	500.0 [19.7 in]

** WIRE LEADS PROVIDED ARE DEPENDENT ON THE FUNCTION SELECTED **



ANTI-VANDAL SWITCHES
DETECTOR SWITCHES
DIP SWITCHES
KEYLOCK SWITCHES
NAVIGATION SWITCHES
PUSHBUTTON SWITCHES
ROCKER SWITCHES
ROTARY SWITCHES
SLIDE SWITCHES
SNAP ACTION SWITCHES
TACTILE SWITCHES
TOGGLE SWITCHES
CAP OPTIONS

ULV4 SERIES ANTI-VANDAL SWITCH

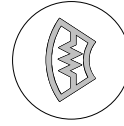
GRAPHIC OPTIONS

** REFER TO BODY DIMENSION PAGES 2 & 3 FOR GRAPHIC ORIENTATION **

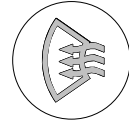
ILLUMINATED
 $\varnothing 15.50$
 [Ø.610 in]
 GRAPHIC WITHOUT
 BORDER TYP.
L01



L02



L03



L04



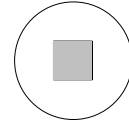
L05



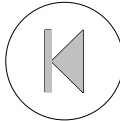
L06



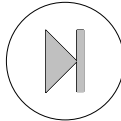
L07



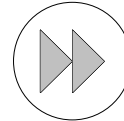
L08



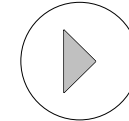
L09



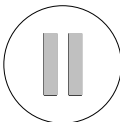
L10



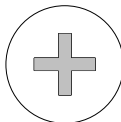
L11



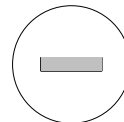
L12



L13



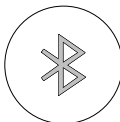
L14



L15



L16



L17



L18



L19



L20



L21



L22



L23



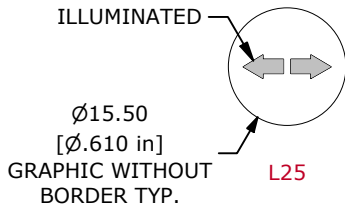
L24



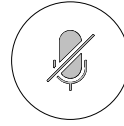
ULV4 SERIES ANTI-VANDAL SWITCH

GRAPHIC OPTIONS (CONT.)

** REFER TO BODY DIMENSION PAGES 2 & 3 FOR GRAPHIC ORIENTATION **



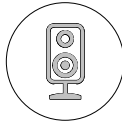
L26



L27



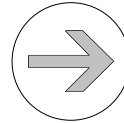
L28



L29



L30



L31



L32



L35



L36



L37



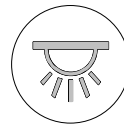
L38



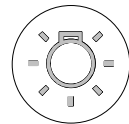
L42



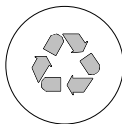
L43



L44



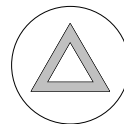
L45



L46



L47



L48

ANTI-VANDAL SWITCHES

DETECTOR SWITCHES

DIP SWITCHES

KEYLOCK SWITCHES

NAVIGATION SWITCHES

PUSHBUTTON SWITCHES

ROCKER SWITCHES

ROTARY SWITCHES

SLIDE SWITCHES

SNAP ACTION SWITCHES

TACTILE SWITCHES

TOGGLE SWITCHES

CAP OPTIONS



E-SWITCH®

www.e-switch.com

800.867.2717

8