

TABLE 1		
GROUP NO	CABLE ACCOMMODATED	ASSEMBLE PER
-301	GC875GC1, GRUMMAN	TAI-229
-302	GC875GB1, GRUMMAN	
-303	7528A5314, RAYCHEM	
-304	-----	
-305	M17/177-00001	
-306	M17/134-00001 TRCH-50-2	
-307	TRC-75-1	
-308	TRC-75-2	
-309	TRC-50-1	

TABLE 2		
MODEL NO	PART NO	DESCRIPTION
PL74MC	3-0309-1	2 LUG TRB
PL75MC	3-0309-2	3 LUG TRB

TABLE 3				
POLARIZATION CHART (PL75MC)				
KEY LETTER	A°	B°	C°	COLOR BAND
NONE	120°	120°	120°	NONE
T	100°	150°	110°	RED
U	120°	130°	110°	ORANGE
V	115°	130°	115°	YELLOW
W	125°	110°	125°	GREEN
X	130°	100°	130°	BLUE
Y	110°	140°	110°	VIOLET
Z	100°	160°	100°	GRAY
S	135°	135°	90°	WHITE

3. EXAMPLE OF COMPLETE MODEL NUMBER:  
 PL75MC T 306

BASIC MODEL NO.  
 (SEE TABLE 2)

CABLE GROUP  
 DASH NO.  
 (SEE TABLE 1)

POLARIZATION LETTER,  
 PL75MC ONLY, NOT REQ  
 FOR STD (SEE TABLE 3)

2. FINISH: TFS-1A (NICKEL)

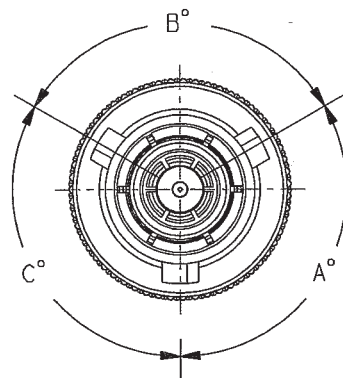
1. CONCENTRIC TRIAX 2 OR 3 LUG TRB TYPE  
 MILITARY FULL CRIMP CABLE PLUG

NOTES: UNLESS OTHERWISE SPECIFIED.

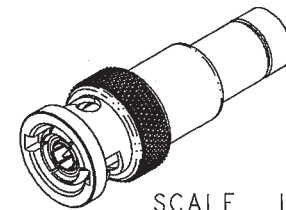
DATA CONTAINED IN THIS DOCUMENT IS  
 PROPRIETARY TO TROMPETER-ELECTRONICS INC.  
 AND SHALL NOT BE DISCLOSED, COPIED OR USED  
 FOR PROCUREMENT OR MANUFACTURE WITHOUT  
 EXPRESS WRITTEN PERMISSION.

REVISIONS			
REV	DESCRIPTIONS	DATE	APPROVED
B	REVISED PER ECO #16477	10/16/07	NAME

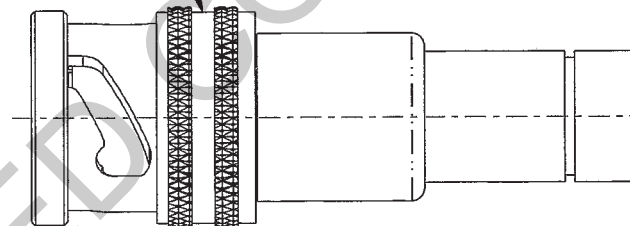
RED INDICATES ORIGINAL



COLOR BAND

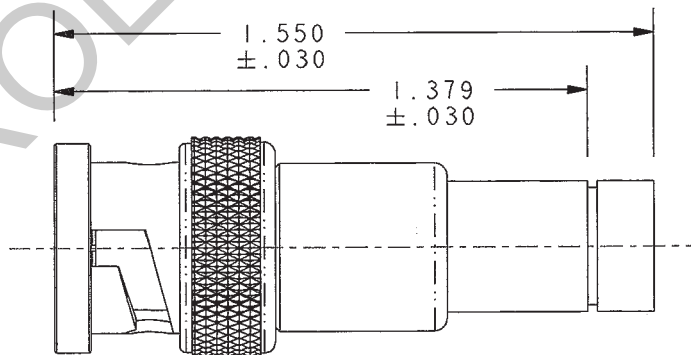
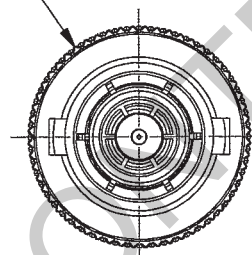


SCALE 1/1

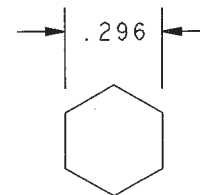


PL75MC SHOWN

Ø .593 MAX



PL74MC SHOWN



RECOMMENDED  
 HEX CRIMP

INTERPRET DRAWING PER  
 MIL-STD-100.  
 DIMENSIONS ARE IN INCHES  
 AND INCLUDE FINISH  
 THICKNESS  
 UNLESS OTHERWISE SPECIFIED.

TOL: UNLESS SPECIFIED:  
 .XX ± .02  
 .XXX ± .010  
 ANGLE ± 1°

**TROMPETER**  
 RF connectivity  
 a cinch connectivity solutions brand

DRN CJJ 9-27-07  
 CHK JL 10-12-07  
 QANTITY  
 MANUF  
 APPROVED ALM 10/12/07

MATERIAL:  
 FINISH:  
 DO NOT SCALE DWG

TITLE:  
 PL74MC/PL75MC  
 SIZE A CAGE CODE 14949 DRAWING NO. 3-0309 REV. B  
 SCALE 2/1 DATE 3-13-00 SHEET 1C

NEXT ASSY 3-0309