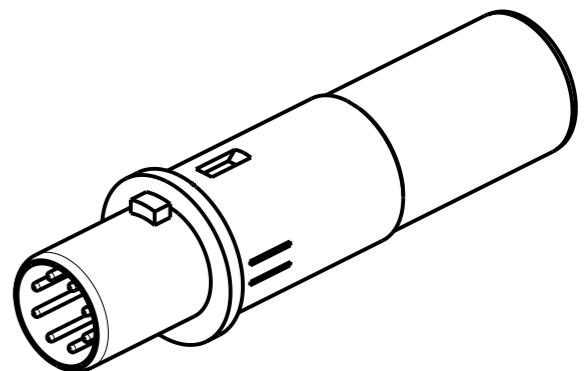
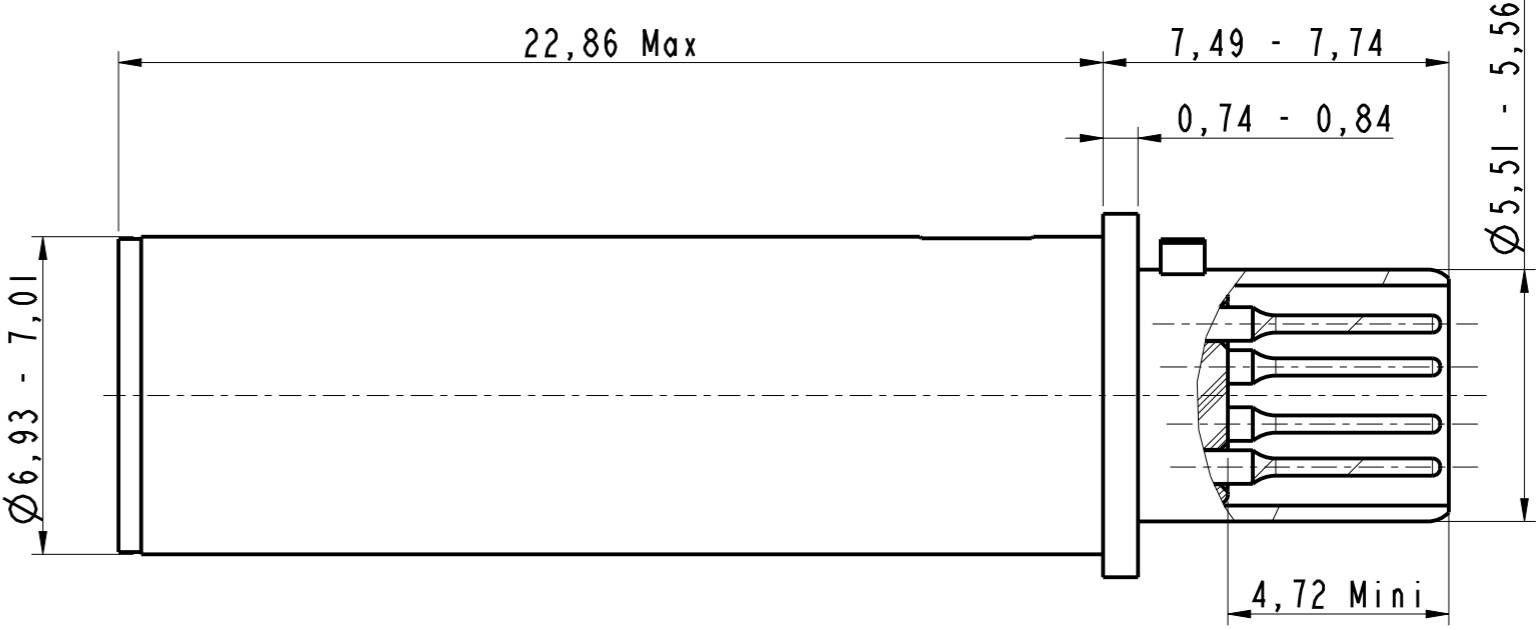
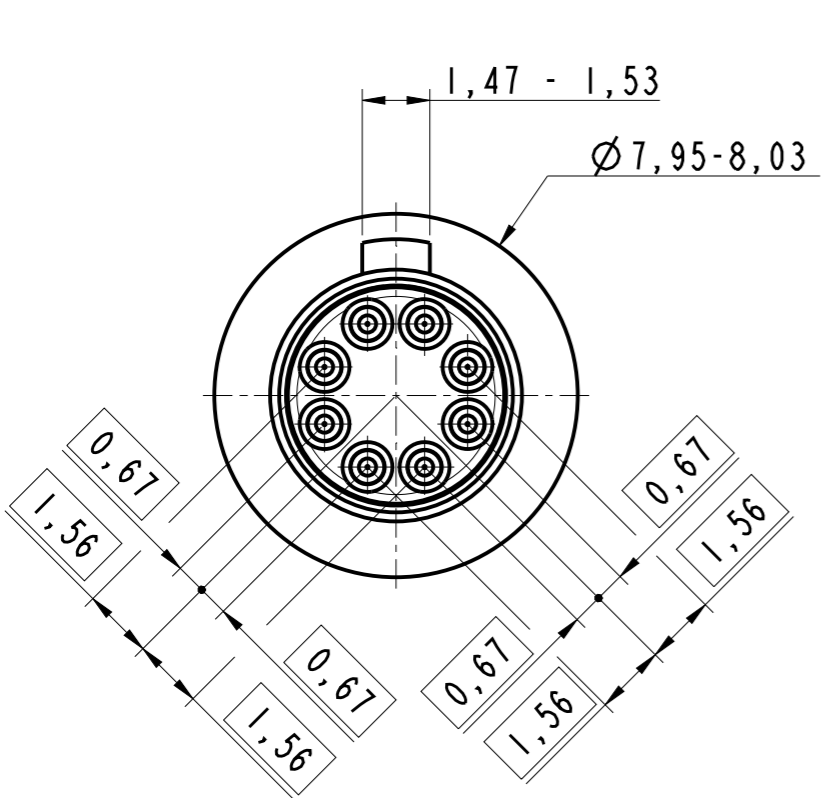


IN THE CONSTANT PURPOSE OF IMPROVING ITS PRODUCTS, AMPHENOL SOCAPEX RESERVES THE RIGHT TO MODIFY ANY DIMENSION OR CHARACTERISTICS.
FM.NPD.0036.THYEZ.PUNE rev C



Notes

- ① - Contact livré non assemblé
Contact delivered unassembled
- ② - Cable compatible: Gore RNC9047-26
Compatible cable: Gore RNC9047-26
- ③ - Outil de sertissage
 - Contact extérieur: outil M22520/5-01
Avec positionner : M22520/5-45 en position A
 - Contact intérieur: M22520/02-01
Avec positionner: K1975*Crimping tools:*
 - Outer contact: tool M22520/5-01
With positioner: M22520/5-45 in position A
 - Inner contact: M22520/02-01
With positioner: K1975
- ④ - Outil d'extraction: M81969/14-06
Extraction tool: M81969/14-06
- ⑤ - S'accouple avec la douille Octomax 612250
Mates with socket Octomax 612250

Broche T8 Octomax Ethernet 1Gbit 100Ohms 38999
Crimp pin S8 Octomax Ethernet Gigabit 100Ohms 38999
P/N : 612251

DRAWN BY : M.PRUD'HOM		UPDATED BY : M.PRUD'HOM		LAST APPROVED BY: L.LAGRANGE	
ALL DIMENSIONS ARE IN MM	AMPHENOL SOCAPEX			ORIGINAL DRAWING DATE : 18/06/20	CONFIGURATION DATA ARE AVAILABLE IN PDM
				REV : B	PAGE : 1/1
SCALE : 6	B.P. 29 74311 THYEZ CEDEX			172-PLC-223-00	

