

**Materials**

Outer shell: C3604 brass, chrome-plating  
 Front nut: C3604 brass, chrome-plating  
 Insulator: PPS (Polyphenylene sulfide) UL94 V-0, beige  
 Pin: C38500 brass, 0.2 µm gold-plating, solder cup style  
 Washer p/n 56-00006: cold rolled steel, nickel-plating  
 Nut p/n 56-00007: C3604 brass, nickel-plating

**Electrical Requirements**

Breakdown voltage: 0.85 kV rms (contact to contact), 0.65 kV rms (contact to shell)  
 Dielectric strength: 1 min @ 500 Vac  
 Insulation resistance: 10,000 MΩ @ 500 Vdc  
 Contact resistance: 30 mΩ or less, 5000 cycles

**Mechanical Requirements**

Insertion force: 1.02 kgf average  
 Withdrawal force: 0.82 kgf average  
 Latch force: 18.4 kgf average  
 Life cycle: 5000 minimum mating cycles at 300 cycles per hour  
 Shock resistance: 100g, 6 ms  
 Resistance to vibration: 10-2000 Hz, 15g

**Environmental Requirements**

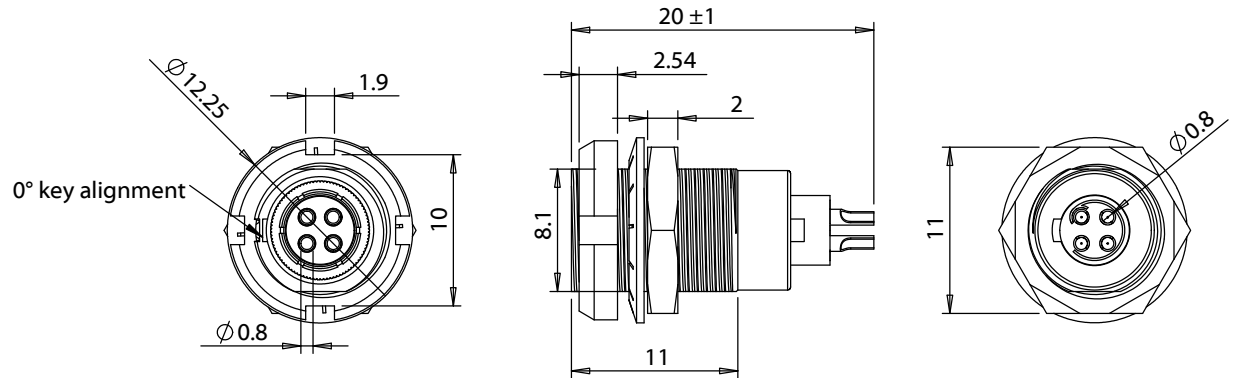
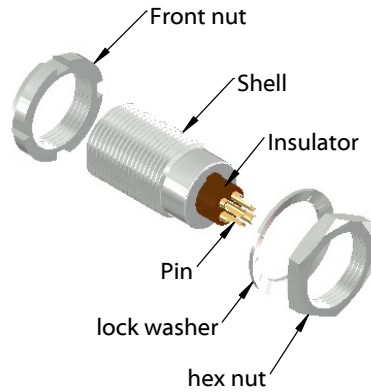
IP50 rating

**Assembly info**

Wire gauge: 24 AWG max (Ø0.60 mm)

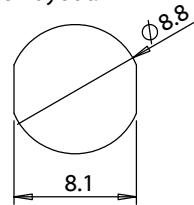
**Mating info**

Mates with PPL7 series plug (4 pin, 0° key)



**Installation Details**

Panel thickness: 5.5 mm max  
 Panel cutout Ø: 8.8 - 11.75 mm  
 Connector layout:



Revision:	Date:	Description:
A	12/13/2017	Initial Release

Prepared: JC  
Digitally signed by JC  
 Date: 2020.05.18  
 17:02:14 -07'00'

Verified: AW  
Digitally signed by AW  
 Date: 2020.05.19  
 11:30:06 -07'00'

Dimensions are in millimeters.  
 Tolerances:  
 X: ± 0.5 mm  
 X.X: ± 0.3 mm  
 X.XX: ± 0.05 mm

Notes:  
 RoHS compliant

Function test: no open, no short circuit, no intermittent

Description:  
 Connector, PPL7, 4C, 0° panel socket, front-back mount, 7x20 mm, chrome, solder

**TENSILITY**

tel 1.541.323.3228 800 877.670.7118  
 fax 1.541.323.4202 web tensility.com

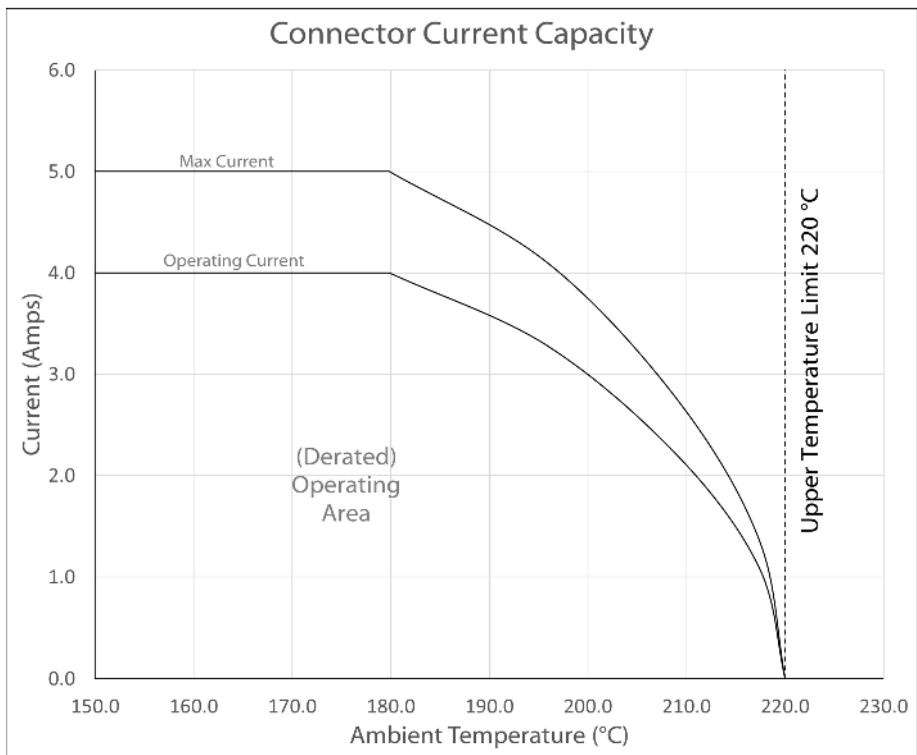
Size:	Part number:
A	51-00018
Scale: 2:1	Sheet 1 of 2

**Ratings**

Voltage: 300 V  
Current: 4 A

**Operating Temperature Range**

-55 to 220 °C



Testing based on IEC 60512-5-2. Max current curve generated with isolated test article under controlled environmental conditions, and does not take into account external factors such as housings or circuitry. Recommended operating current curve accounts for external factors, manufacturing variation, and error in temperature measurements.

Revision:	Date:	Description:
A	12/13/2017	Initial Release

Prepared:  
**JC**  
Digitally signed by JC  
Date: 2020.05.18  
17:02:39 -07'00'

Verified:  
**AW**  
Digitally signed by AW  
Date: 2020.05.19  
11:33:51 -07'00'

Dimensions are in millimeters.  
Tolerances:  
X: ± 0.5 mm  
X.X: ± 0.3 mm  
X.XX: ± 0.05 mm

Notes:  
RoHS compliant

Function test: no open, no short circuit, no intermittent

Description:  
Connector, PPL7, 4C, 0° panel socket, front-back mount, 7x20 mm, chrome, solder

**TENSILITY**

tel 1.541.323.3228 800 877.670.7118  
fax 1.541.323.4202 web tensility.com

Size:	Part number:
A	51-00018
Scale: 2:1	
Sheet 2 of 2	