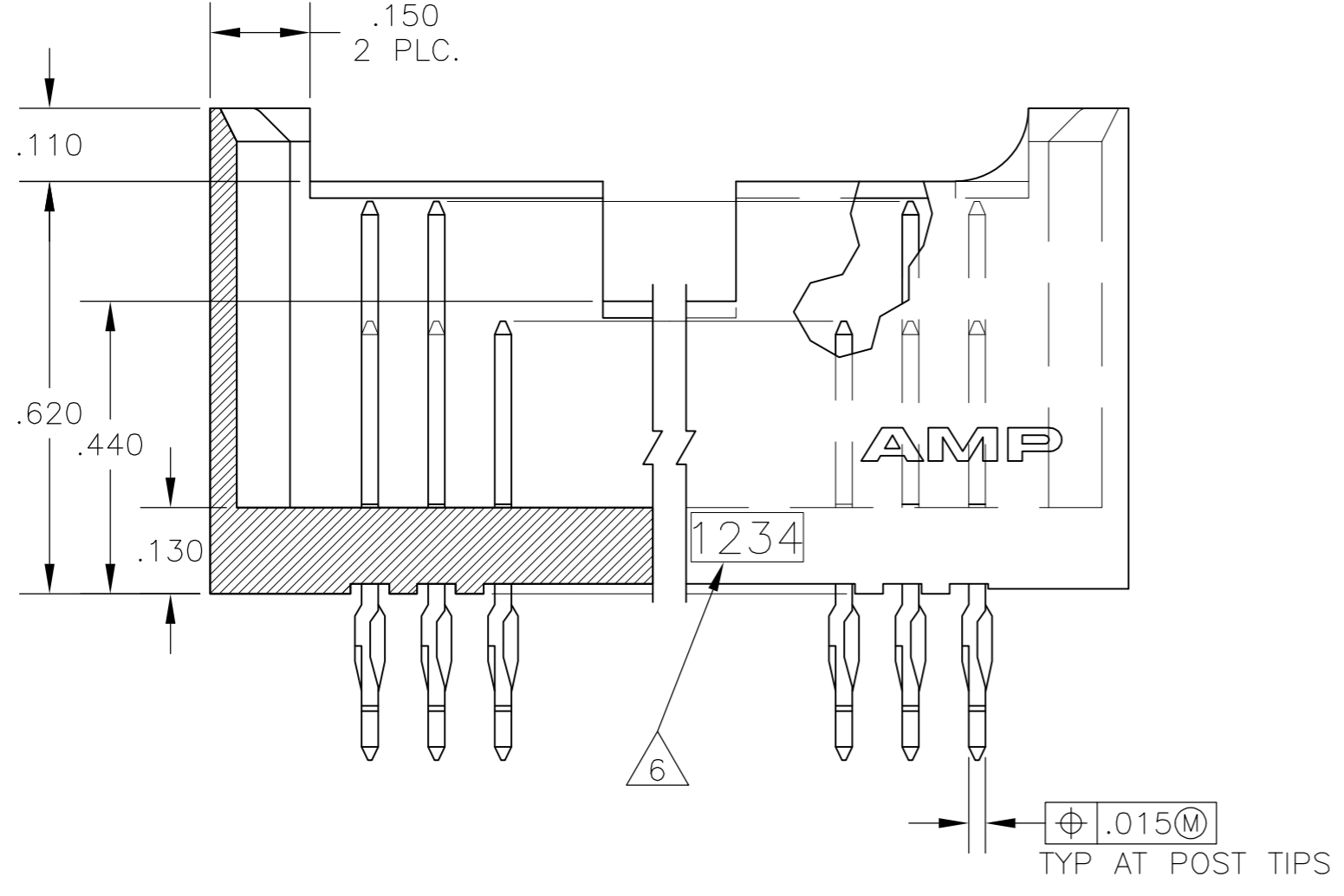
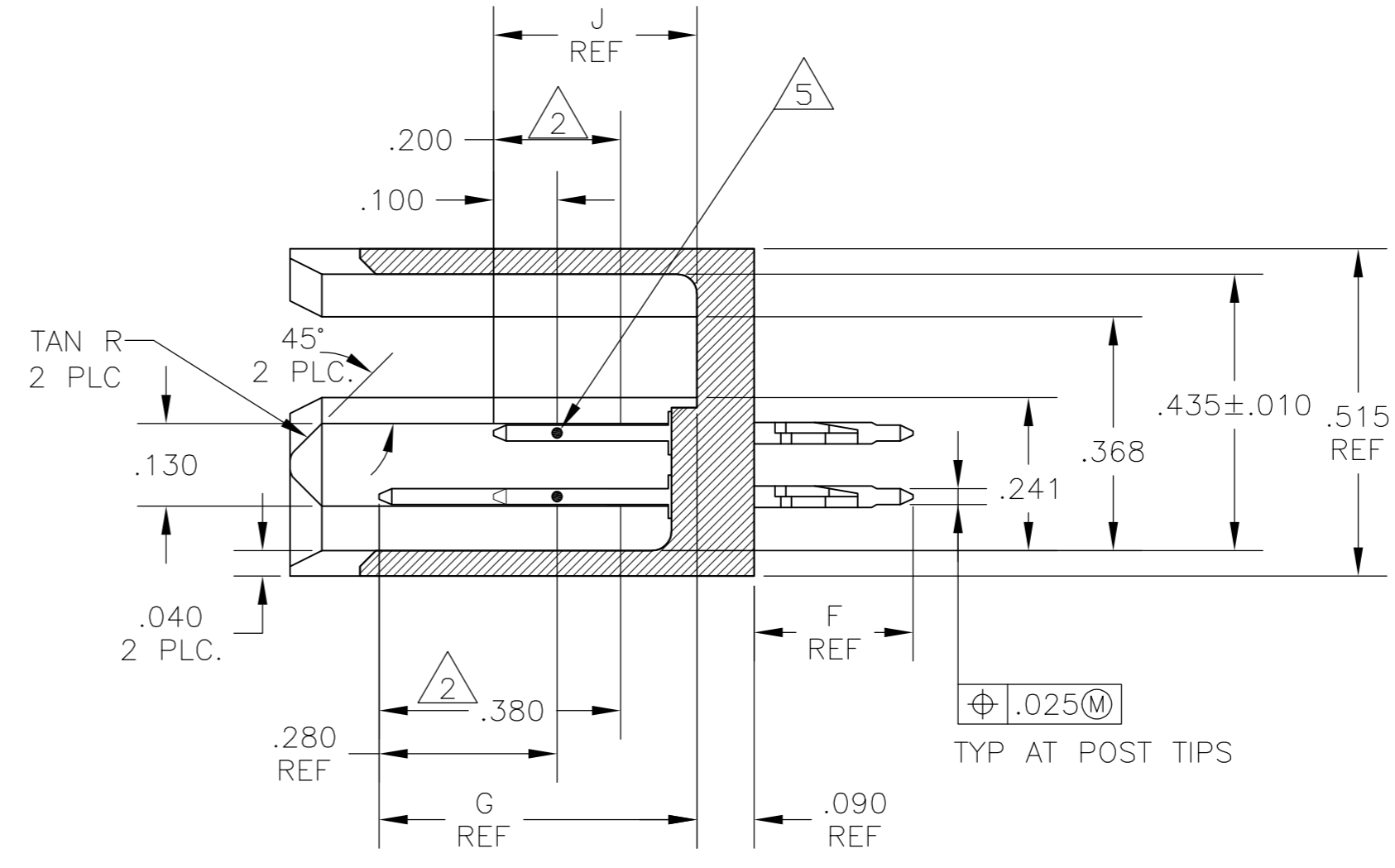
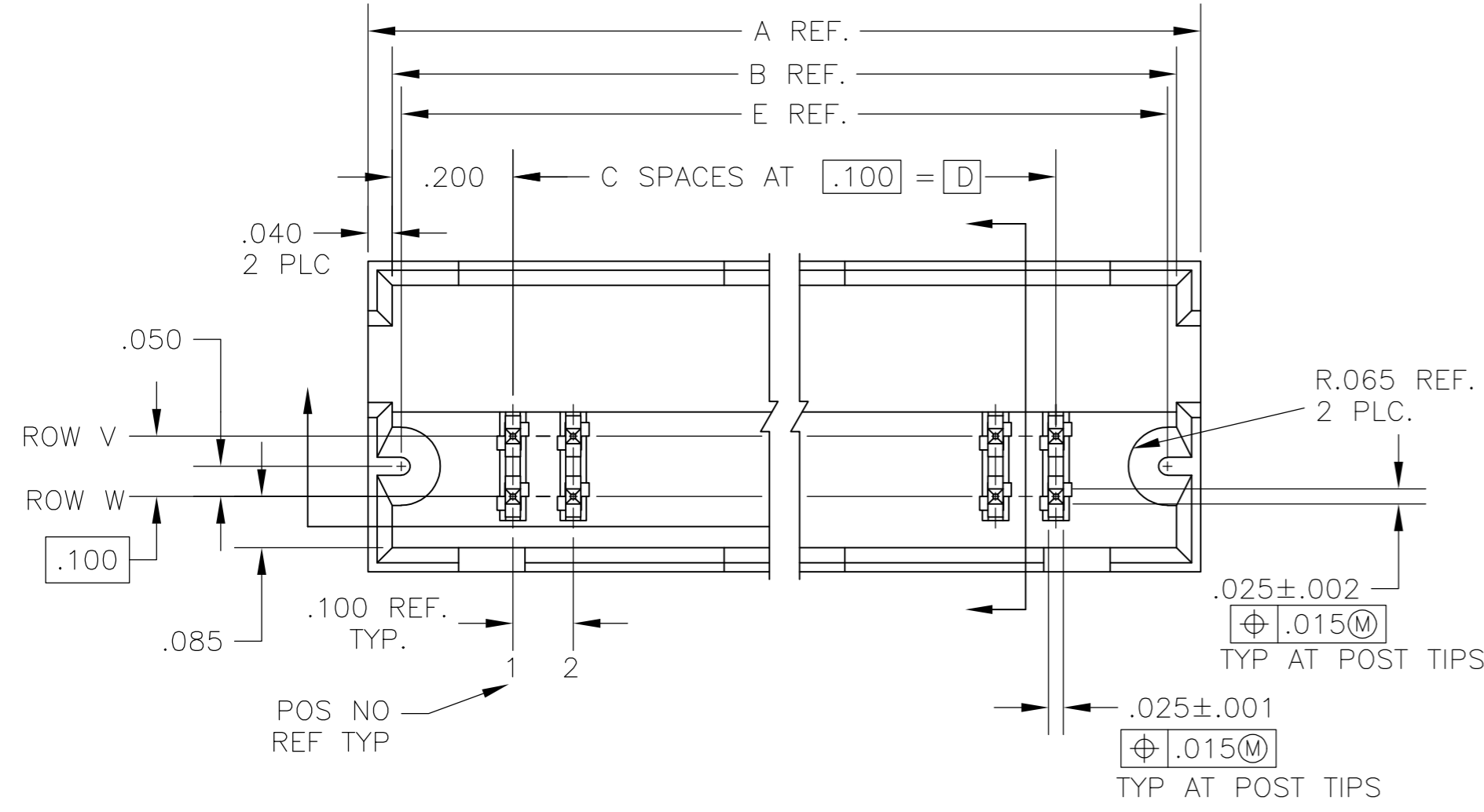


THIS DRAWING IS UNPUBLISHED. RELEASED FOR PUBLICATION
 © COPYRIGHT - By - ALL RIGHTS RESERVED.

LOC		DIST		REVISIONS			
P	LTR	DESCRIPTION		DATE	DWN	APVD	
AD	39	A1	REVISED PER ECO-12-019332		07NOV12	KH	JO



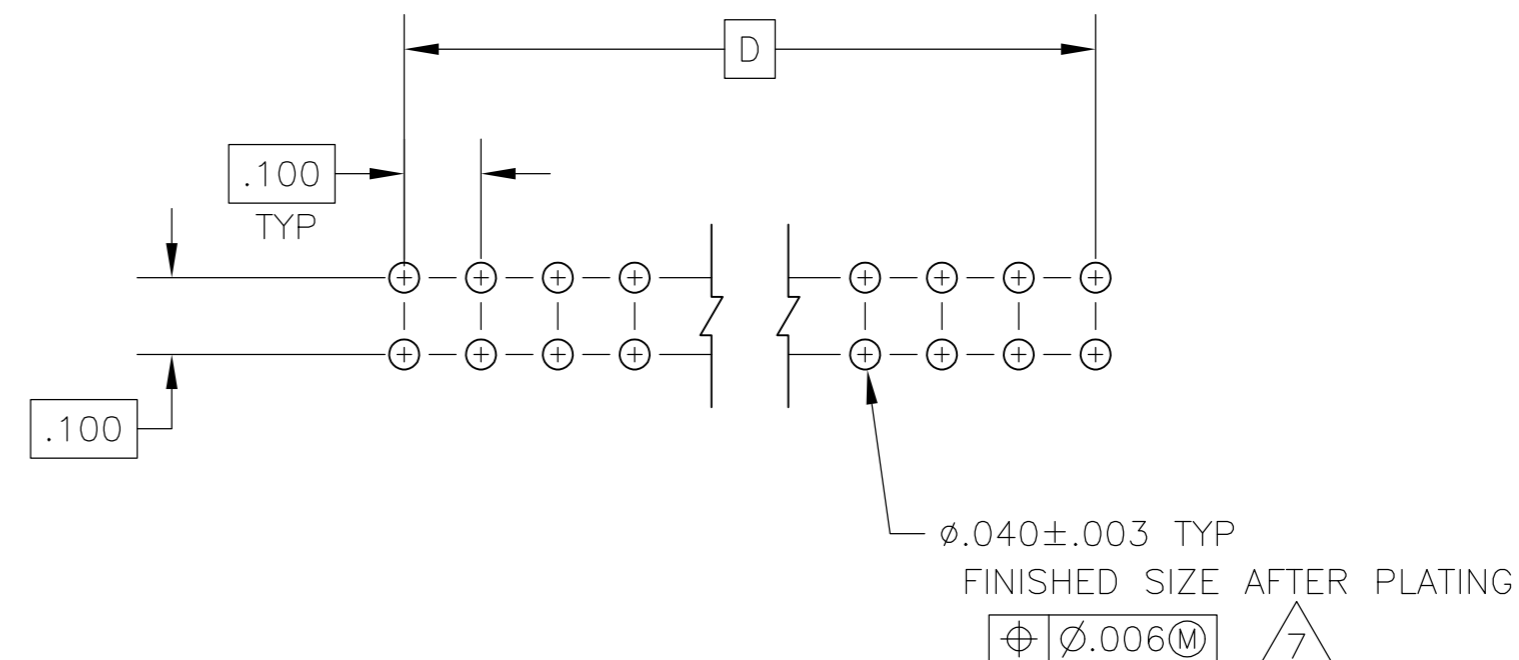
(SEE SHEET 2 FOR NOTES, TABLE & PCB LAYOUT.)

THIS DRAWING IS A CONTROLLED DOCUMENT.		DWN	D BIECHLER	09/20/89		TE Connectivity																				
DIMENSIONS: INCHES		CHK	D SARVER	09/20/89		NAME																				
TOLERANCES UNLESS OTHERWISE SPECIFIED:		APVD	D SARVER	09/20/89		HEADER ASSEMBLY, MOD II, DOUBLE-ROW, .100x.100 CL, .025 SQ COMPLIANT PIN POSTS, WITH GUIDE PINS, SELECT LOADING																				
<table border="1"> <tr><td>0 PLC</td><td>±</td><td>-</td></tr> <tr><td>1 PLC</td><td>±</td><td>-</td></tr> <tr><td>2 PLC</td><td>±</td><td>-</td></tr> <tr><td>3 PLC</td><td>±</td><td>.005</td></tr> <tr><td>4 PLC</td><td>±</td><td>-</td></tr> <tr><td>ANGLES</td><td>±</td><td>-</td></tr> </table>		0 PLC	±	-		1 PLC	±	-	2 PLC	±	-	3 PLC	±	.005	4 PLC	±	-	ANGLES	±	-	PRODUCT SPEC	-		SIZE	CAGE CODE	DRAWING NO
0 PLC	±	-																								
1 PLC	±	-																								
2 PLC	±	-																								
3 PLC	±	.005																								
4 PLC	±	-																								
ANGLES	±	-																								
MATERIAL HOUSING: 3	CONTACTS: 4	FINISH	CONTACTS: SEE TABLE		WEIGHT	A2 00779 C=535932		-																		
CUSTOMER DRAWING					SCALE	4:1	SHEET	1 OF 2	REV	A1																

THIS DRAWING IS UNPUBLISHED. RELEASED FOR PUBLICATION
 © COPYRIGHT - By - ALL RIGHTS RESERVED.

LOC		DIST		REVISIONS					
AD		39		P	LTR	DESCRIPTION	DATE	DWN	APVD
				-	-	SEE SHEET 1	-	-	-

- 1 .000030 GOLD ON CONTACT AREA, .000100-.000200 BRIGHT TIN-LEAD ON SOLDER TAILS, ALL OVER .000050 NICKEL.
- 2 POST CONTACT AREA
- 3 GLASS-FILLED NYLON, COLOR-BLACK
- 4 COPPER ALLOY
- 5 POINT OF MEASUREMENT FOR PLATING THICKNESS
- 6 RECESSED DATE CODE AND CSA LOGO
- 7 RECOMMENDED DRILL SIZE: 1.15mm, .0452 #.0010.
- 8 .000030 GOLD ON CONTACT AREA, .000100-.000200 MATTE TIN ON SOLDER LEADS, ALL OVER .000050 NICKEL.
- 9 ROHS 2002/95/EC COMPLIANT



RECOMMENDED PC BOARD LAYOUT

9	4,6	4,6	15,16,17	8	.320	.500	.250	1.970	1.600	16	2.000	2.080	34	5-535932-1
	4,6	4,6	15,16,17		1	.320	.500	.250	1.970	1.600	16	2.000	2.080	34
	ROW V	ROW W	ROW W										NO. OF POSN	PART NUMBER
	POSITION NO. OMITTED		SELECT LOADING .500 HIGH POST	FINISH	J	G	F	E	D	C	B	A		

THIS DRAWING IS A CONTROLLED DOCUMENT.

DWN	D BIECHLER	09/20/89
CHK	D SARVER	09/20/89
APVD	-	-
NAME	TE Connectivity	
PRODUCT SPEC	-	
APPLICATION SPEC	-	
WEIGHT	-	-
CUSTOMER DRAWING	SCALE 4:1	SHEET 2 of 2

DIMENSIONS: INCHES
 TOLERANCES UNLESS OTHERWISE SPECIFIED:
 0 PLC ± -
 1 PLC ± -
 2 PLC ± -
 3 PLC ± .005
 4 PLC ± -
 ANGLES ± -
 MATERIAL HOUSING: 3 CONTACTS: 4
 FINISH CONTACTS: SEE TABLE

NAME: HEADER ASSEMBLY, MOD II, DOUBLE-ROW, .100x.100 CL, .025 SQ COMPLIANT PIN POSTS, WITH GUIDE PINS, SELECT LOADING
 SIZE: A2 CAGE CODE: 00779 DRAWING NO: 535932 RESTRICTED TO: -
 REV: A1