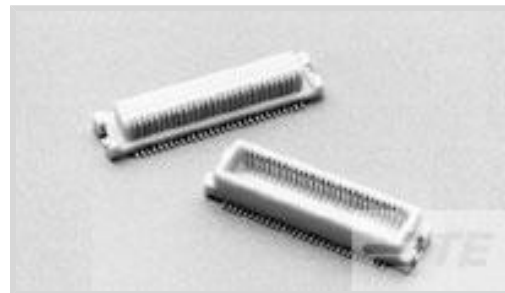




Connectors > PCB Connectors > PCB Headers & Receptacles



PCB Connector Assembly Type: **PCB Mount Header**

PCB Mount Orientation: **Right Angle**

Connector System: **Board-to-Board**

Number of Positions: **80**

Centerline (Pitch): **.5 mm [.02 in]**

Features

Product Type Features

PCB Connector Assembly Type	PCB Mount Header
Connector System	Board-to-Board
Sealable	No
Connector & Contact Terminates To	Printed Circuit Board

Configuration Features

Stackable	Yes
PCB Mount Orientation	Right Angle
Number of Positions	80

Electrical Characteristics

Dielectric Withstanding Voltage (Max)	500 VAC
Insulation Resistance	2 MΩ
Operating Voltage	250 VAC

Body Features

Connector Profile	Low
Primary Product Color	Black

Contact Features

PCB Contact Termination Area Plating Material Thickness	.05 – .127 μm[2 – 5 μin]
Contact Layout	Inline
Contact Shape & Form	Square



PCB Contact Termination Area Plating Material	Gold
---	------

Contact Base Material	Copper Alloy
-----------------------	--------------

Contact Mating Area Plating Material	Gold
--------------------------------------	------

Contact Mating Area Plating Material Thickness	.05 μm [2 μin]
--	---------------------------------------

Contact Type	Tab
--------------	-----

Contact Current Rating (Max)	.5 A
------------------------------	------

Termination Features

Rectangular Termination Post & Tail Thickness	.2 mm[.008 in]
---	----------------

Rectangular Termination Post & Tail Width	.6 mm[.023 in]
---	----------------

Termination Method to Printed Circuit Board	Surface Mount
---	---------------

Mechanical Attachment

PCB Mount Alignment Type	Locating Posts
--------------------------	----------------

PCB Mount Retention Type	None
--------------------------	------

Mating Alignment	With
------------------	------

Mating Alignment Type	Keyed
-----------------------	-------

PCB Mount Retention	Without
---------------------	---------

PCB Mount Alignment	With
---------------------	------

Connector Mounting Type	Board Mount
-------------------------	-------------

Housing Features

Centerline (Pitch)	.5 mm[.02 in]
--------------------	---------------

Housing Material	High heat-resisted resin
------------------	--------------------------

Dimensions

Connector Height	4.75 mm[.187 in]
------------------	------------------

Stack Height	4 mm, 4.5 mm, 5.5 mm[.157 in][.177 in][.217 in]
--------------	---

Usage Conditions

Housing Temperature Rating	High
----------------------------	------

Operating Temperature Range	-30 – 105 °C[-22 – 221 °F]
-----------------------------	----------------------------

Operation/Application

Assembly Process Feature	None
--------------------------	------

Circuit Application	Signal
---------------------	--------

Industry Standards



UL Flammability Rating	UL 94V-0
------------------------	----------

Packaging Features

Packaging Quantity	1000
Packaging Type	Tape & Reel

Product Compliance


[For compliance documentation, visit the product page on TE.com>](#)

EU RoHS Directive 2011/65/EU	Compliant
EU ELV Directive 2000/53/EC	Compliant
China RoHS 2 Directive MIIT Order No 32, 2016	No Restricted Materials Above Threshold
EU REACH Regulation (EC) No. 1907/2006	Current ECHA Candidate List: JUNE 2023 (235) Candidate List Declared Against: JAN 2023 (233) Does not contain REACH SVHC
Halogen Content	Not Low Halogen - contains Br or Cl > 900 ppm.
Solder Process Capability	Reflow solder capable to 245°C

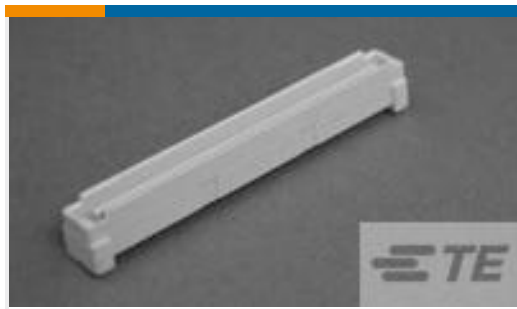
Product Compliance Disclaimer

This information is provided based on reasonable inquiry of our suppliers and represents our current actual knowledge based on the information they provided. This information is subject to change. The part numbers that TE has identified as EU RoHS compliant have a maximum concentration of 0.1% by weight in homogenous materials for lead, hexavalent chromium, mercury, PBB, PBDE, DBP, BBP, DEHP, DIBP, and 0.01% for cadmium, or qualify for an exemption to these limits as defined in the Annexes of Directive 2011/65/EU (RoHS2). Finished electrical and electronic equipment products will be CE marked as required by Directive 2011/65/EU. Components may not be CE marked. Additionally, the part numbers that TE has identified as EU ELV compliant have a maximum concentration of 0.1% by weight in homogenous materials for lead, hexavalent chromium, and mercury, and 0.01% for cadmium, or qualify for an exemption to these limits as defined in the Annexes of Directive 2000/53/EC (ELV). Regarding the REACH Regulation, the information TE provides on SVHC in articles for this part number is based on the latest European Chemicals Agency (ECHA) 'Guidance on requirements for substances in articles' posted at this URL: <https://echa.europa.eu/guidance-documents/guidance-on-reach>

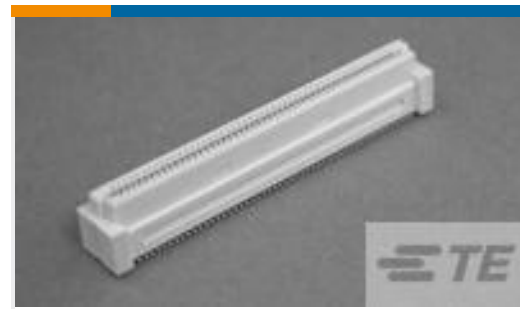
Compatible Parts

 <p>TE Part # 5-1747022-3 ON TAPING(EMBOSS) 0.5MM PITCH</p>	<p>TE Part # 1-179649-5 0.5 BTB TAB CONT H DURAGOLD/DL</p>	<p>TE Part # 1-912059-4 COVER TAPE FOR 2.0 A-F CONN</p>	<p>TE Part # 5-912060-5 EMBOSS TAPE FOR 0.5 BTB 80P H</p>
--	--	---	---

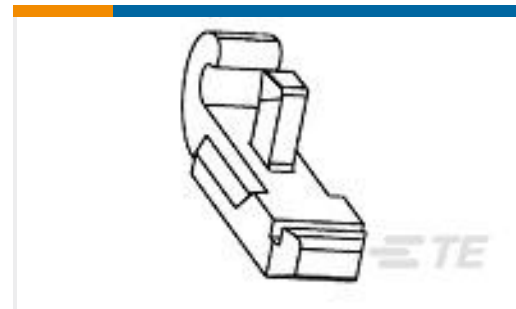
Customers Also Bought



TE Part #2-5177986-3
0.8FH,P07H.5,080,08/Sn,TR,SC



TE Part #5-5179180-3
0.8FH,R09H.5,080,08/Sn,TR,SC



TE Part #1981045-1
DYNAMIC D3900 SPRING OPENER



TE Part #1-2229803-1
D3950 HDR 11POS 1ROW X KEY



TE Part #6-2260663-1
DYNAMIC D5900 REC CONNECTOR
ASSY 6P-X



TE Part #2-1827876-0
DYNAMIC 1200D HDR ASSY H 20PY
BLACK GOLD



TE Part #3-2229794-1
D3950 REC 3POS 1ROW X KEY
MARKED



TE Part #7-1565673-9
AMPLIMITE 9P PLUG ASSY

Documents

Product Drawings

[ON TAPING\(EMBOSS\)0.5 FINE MATE](#)

English

CAD Files

[3D PDF](#)

English

[Customer View Model](#)

[ENG_CVM_5-1747257-3_O.2d_dxf.zip](#)

English

[Customer View Model](#)

[ENG_CVM_5-1747257-3_O.3d_igs.zip](#)

English

[Customer View Model](#)

[ENG_CVM_5-1747257-3_O.3d_stp.zip](#)

English

By downloading the CAD file I accept and agree to the [Terms and Conditions](#) of use.

Datasheets & Catalog Pages

[Fine Pitch Catalog - 0.5mm Fine Stack and Fine Mate Connectors](#)

English

Product Specifications

[Product Specification](#)

English

[0.5mm Pitch Fine Mate Conn.](#)

Japanese



Product Specification

Japanese

Product Environmental Compliance

Product Compliance

English

Product Compliance

English

Instruction Sheets

Instruction Sheet (non U.S.)

English

0.5/0.8MM PITCH FINE MATE CONN.

English