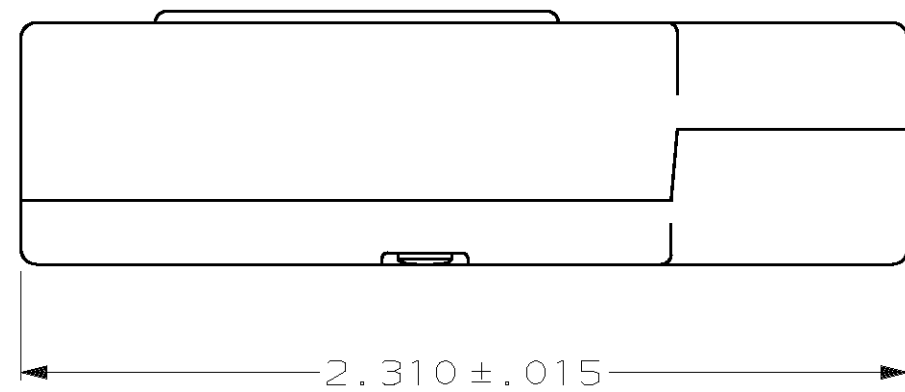
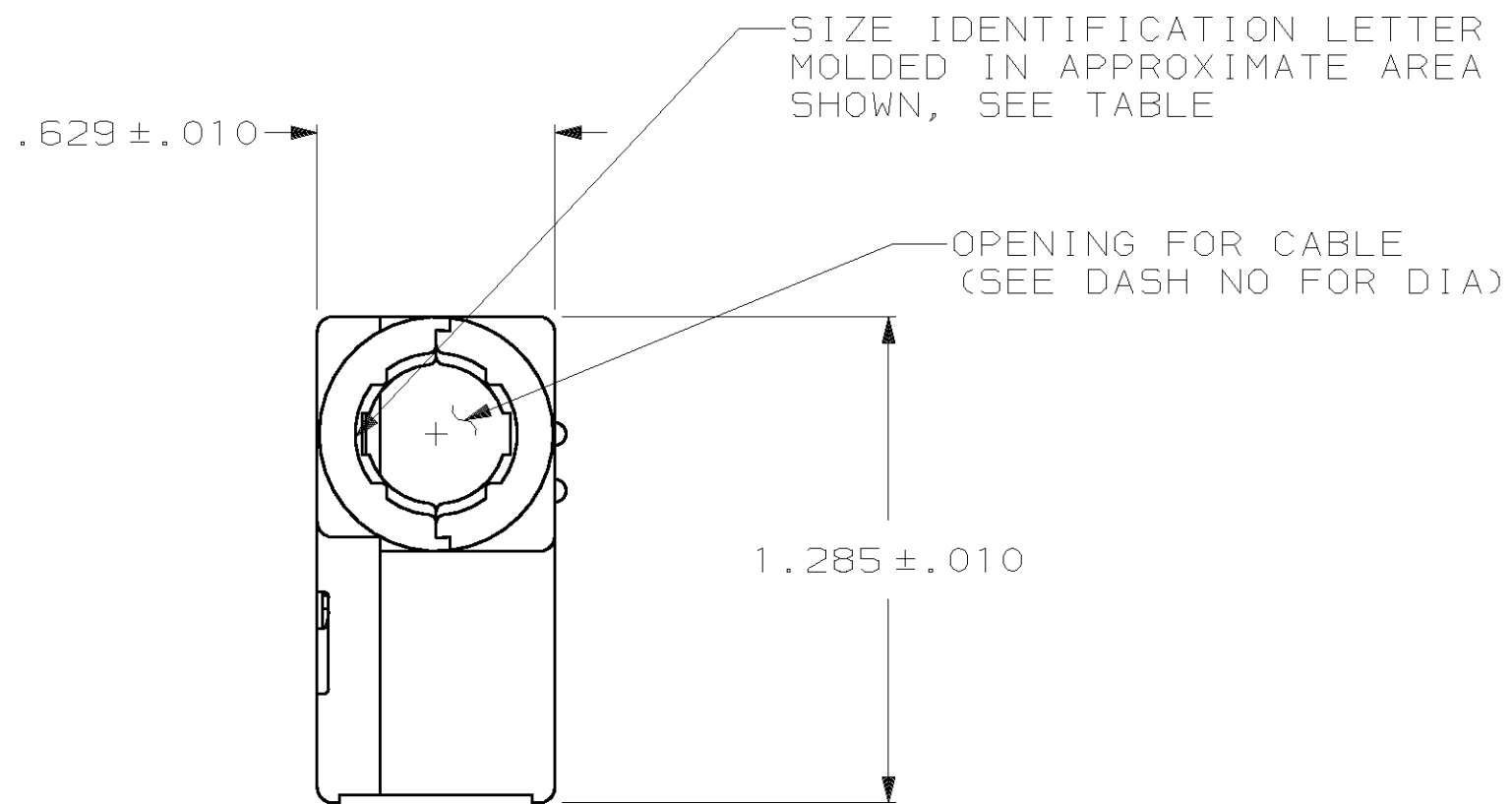
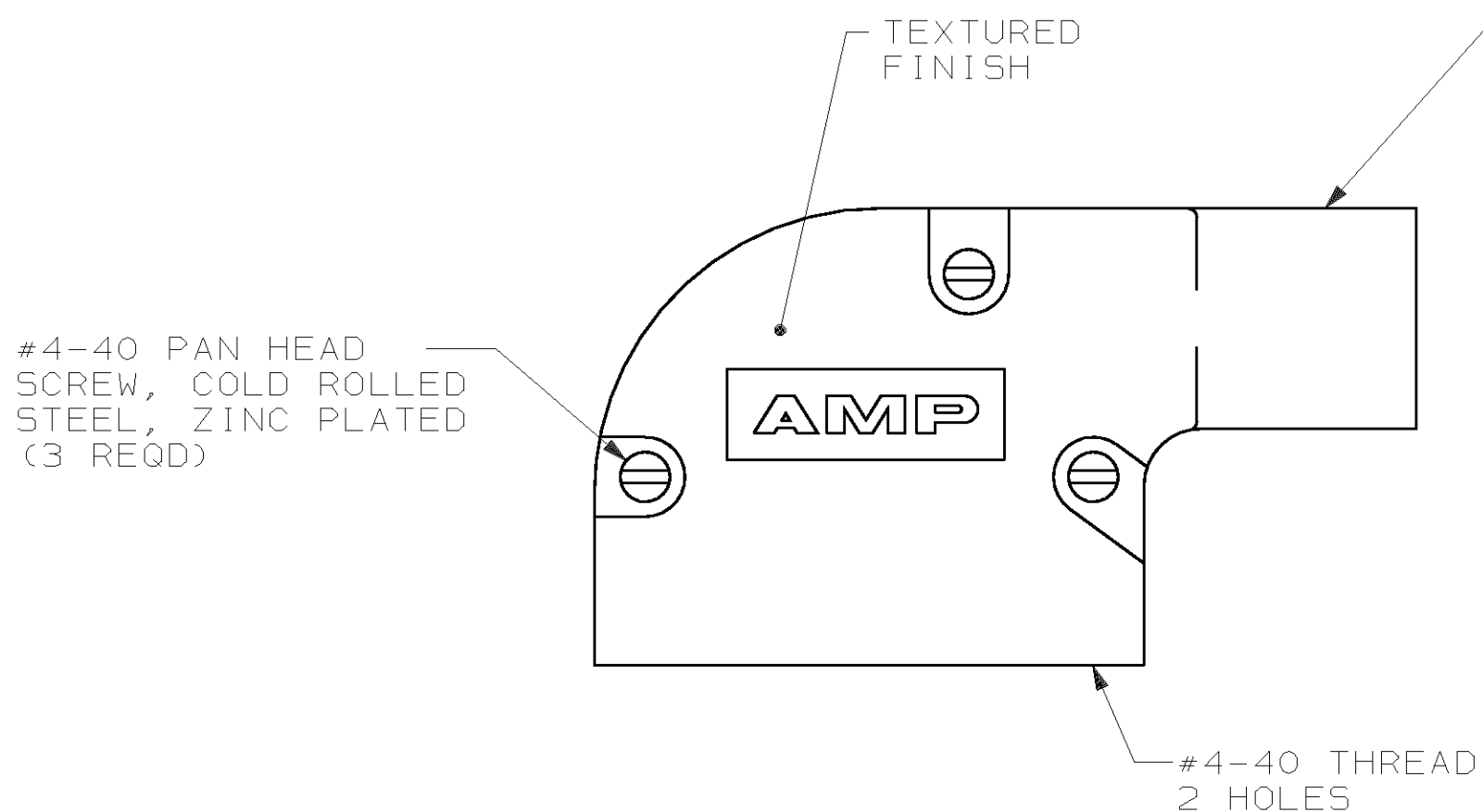


THIS DRAWING IS UNPUBLISHED. RELEASED FOR PUBLICATION ,19 .
 © COPYRIGHT 19 BY AMP INCORPORATED. ALL INTERNATIONAL RIGHTS RESERVED.

LOC	DIST	P	F	ZONE	LTR	DESCRIPTION	DATE	APPD
GP	00				B	REDRAWN	7-90	-
					C	REV PER EC 0020-881-95	25 AUG 95	J5
					D	OBSOLETE -1 PER EC 0020-780-95	06 FEB 96	C5
					E	OBSOLETE -4 PER EC 0020-713-95	06 FEB 96	C5
					F	REV PER EC 00E0-0002-01	10 JAN 02	JR



CABLE CLAMP
 MATERIAL: ZINC ALLOY, PLATED NICKEL OVER COPPER.



1. ALL PARTS PACKAGED UNASSEMBLED.

OBSOLETE	B	.225	745918-4
OBSOLETE	E	.300	745918-3
	H	.375	745918-2
OBSOLETE	K	.430	745918-1
	SIZE IDENT LETTER	CABLE DIA	PART NUMBER

DO NOT SCALE PRINT. UNLESS SPECIFIED DIMENSIONS IN INCHES TOLERANCES ON : 2 PLC DEC ± - 3 PLC DEC ± .005 ANGLES ± -	DR 7-24-90 J GALLUCCI BG	AMP INCORPORATED Harrisburg, Pa. 17105	
MATERIAL SEE CALLOUTS	CHK 9-10-90 J.McCLINTON		
FINISH SEE CALLOUTS	APPD 9-11-90 B.TAYLOR	NAME CABLE CLAMP KIT, SIZE 2, 15 POSITION, 90°, AMPLIMITE™ SERIES	
	APPD 9-11-90 J.ASSINI	SIZE C	FSCM NO 00779
	PRODUCT SPEC -	SCALE 2:1	DRAWING NO 745918
	APPLICATION SPEC -		SHEET 1 OF 1
	WEIGHT -		