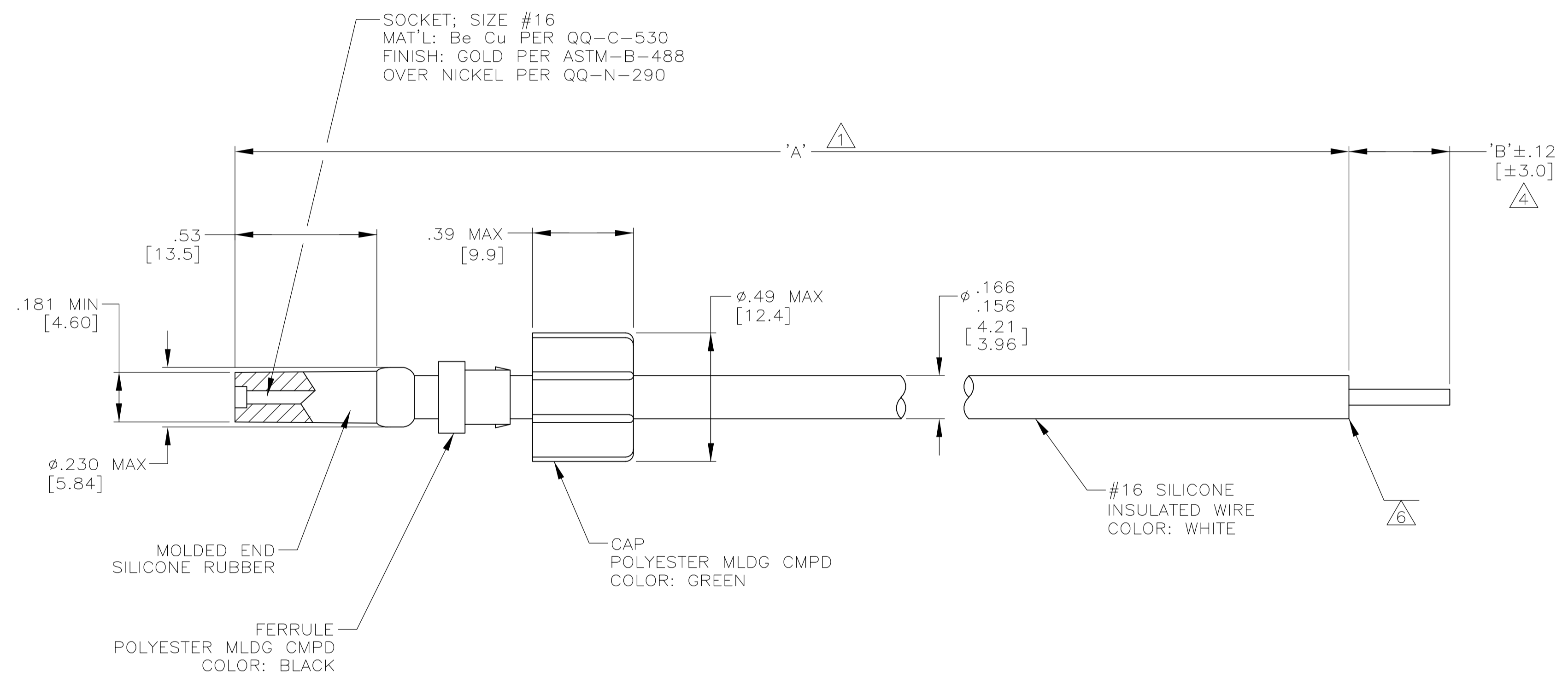


PART NO.	'A'	'B'	REMARKS
862545-1	6.00 [152.4]	.38 [9.7]	△4
862545-2	8.00 [203.2]	.38 [9.7]	△4
862545-3	10.00 [254.0]	.38 [9.7]	△4
862545-4	12.00 [304.8]	.38 [9.7]	△4
862545-5	15.00 [381.0]	.38 [9.7]	△4
862545-6	18.00 [457.2]	.38 [9.7]	△4
862545-7	21.00 [533.4]	.38 [9.7]	△4
862545-8	24.00 [609.6]	.38 [9.7]	△4
862545-9	4.50 [114.3]	.50 [12.7]	△4 OBSOLETE
1-862545-0	11.00 [279.4]	.25 [6.3]	△4
1-862545-1	48.00 [1219.2]	.38 [9.7]	△4
1-862545-2	20.00 [508.0]	.38 [9.7]	△4 OBSOLETE
1-862545-3	13.00 [330.2]	.38 [9.7]	△4
1-862545-4	14.00 [355.6]	.38 [9.7]	△4
1-862545-5	600.00 [15240.0]	.38 [9.7]	△4 OBSOLETE
1-862545-6	16.00 [406.4]	.38 [9.7]	△4
1-862545-7	5.00 [127.0]	.38 [9.7]	△4
1-862545-8	36.00 [914.4]	.38 [9.7]	△4
1-862545-9	60.00 [1524.0]	.38 [9.7]	△4
2-862545-0	84.00 [2133.6]	.38 [9.7]	△4 OBSOLETE
2-862545-1	7.50 [190.5]	.38 [9.7]	△4
2-862545-2	30.00 [762.0]	.38 [9.7]	△4
2-862545-3	9.00 [228.6]	.38 [9.7]	△4
2-862545-4	14.50 [368.3]	.38 [9.7]	△4
2-862545-5	22.00 [558.8]	.38 [9.7]	△4
2-862545-6	17.63 [447.8]	.38 [9.7]	△4
2-862545-7	11.63 [295.4]	.38 [9.7]	△4 OBSOLETE
2-862545-8	72.00 [1828.8]	.38 [9.7]	△4
2-862545-9	33.00 [838.2]	.38 [9.7]	△4
3-862545-0	19.00 [482.6]	.38 [9.7]	△4 OBSOLETE
3-862545-1	37.00 [939.8]	.38 [9.7]	△4 OBSOLETE
3-862545-2	9.50 [241.3]	.38 [9.7]	△4 OBSOLETE
3-862545-3	6.13 [155.7]	.38 [9.7]	△4 OBSOLETE
3-862545-4	4.00 [101.6]	.38 [9.7]	△4
3-862545-5	40.00 [1016.0]	.38 [9.7]	△4 OBSOLETE
3-862545-6	7.00 [177.8]	.38 [9.7]	△4 OBSOLETE
3-862545-7	28.00 [711.2]	.38 [9.7]	△4 OBSOLETE
3-862545-8	31.00 [787.4]	.38 [9.7]	△4 OBSOLETE
3-862545-9	240.00 [6096.0]	.38 [9.7]	△4
4-862545-0	16.63 [422.4]	.38 [9.7]	△4 OBSOLETE
4-862545-1	108.00 [2743.2]	.38 [9.7]	△4
4-862545-2	17.00 [431.8]	.38 [9.7]	△4 OBSOLETE
4-862545-3	360.00 [9144.0]	.38 [9.7]	△4 OBSOLETE
4-862545-4	79.00 [2006.6]	.38 [9.7]	△4 OBSOLETE
4-862545-5	6.50 [165.1]	.38 [9.7]	△4
4-862545-6	96.00 [2438.4]	.38 [9.7]	△4
4-862545-7	144.00 [3657.6]	.38 [9.7]	△4
5-862545-1	6.00 [152.4]	.38 [9.7]	△6
5-862545-2	8.00 [203.2]	.38 [9.7]	△6
5-862545-4	12.00 [304.8]	.38 [9.7]	△6
5-862545-6	18.00 [457.2]	.38 [9.7]	△6
5-862545-8	24.00 [609.6]	.38 [9.7]	△6
6-862545-0	11.00 [279.4]	.25 [6.3]	△6
6-862545-4	14.00 [355.6]	.38 [9.7]	△6
6-862545-7	5.00 [127.0]	.38 [9.7]	△6
6-862545-8	36.00 [914.4]	.38 [9.7]	△6
7-862545-1	7.50 [190.5]	.38 [9.7]	△6
7-862545-4	14.50 [368.3]	.38 [9.7]	△6

LOC	DIST	REV	DATE	BY	APP'D
DF	SO	AD	06-05	AA	DE

- △1 TOLERANCE OF LEAD LENGTH:  
UP TO 24 INCHES [609.6] = ±.12 [±3.0]  
24 INCHES [609.6] & UP = ±1%
2. MARKED PER MIL-STD-130.
3. TO MATE WITH AMP LGH-1/2 RECEPTACLE WITH .53 BARREL DEPTH.
- △4 WHERE APPLICABLE PIGTAIL IS SOLDER DIPPED.
5. OPERATING VOLTAGE: 10 KVDC AT 0 TO 70,000 FEET, -55°C TO 125°C.
- △6 INSULATION CUT TO LENGTH, BUT NOT REMOVED.



THIS DRAWING IS A CONTROLLED DOCUMENT.		DWG C.C.THOMAS 16-NOV-89	Tyco Electronics Corporation Harrisburg, Pa 17105-3608	
DIMENSIONS: INCHES		CHK D. FARY 01-DEC-89	NAME LEAD ASSY POS STOP, SGL END LGH-1/2	
TOLERANCES UNLESS OTHERWISE SPECIFIED:		APP'D D. FARY 01-DEC-89	RESTRICTED TO	
0 PLC ± -		SIZE A1		
1 PLC ± -		CAGE CODE 00779		
2 PLC ± .02 [0.5]		DRAWING NO 862545		
3 PLC ± -		WEIGHT -		
4 PLC ± -		CUSTOMER DRAWING		
ANGLES ± -		SCALE 3:1		
FINISH SEE CALLOUTS		SHEET 1 OF 1		
MATERIAL SEE CALLOUTS		REV AD		