



High-Speed CMOS 8-Bit Bus Interface Register Transceivers

QS54/74FCT652T
QS54/74FCT2652T

FEATURES/BENEFITS

- Pin and function compatible to the 74F652, 74FCT652 and 74FCT652T
- Industrial temperature -40°C to 85°C
- CMOS power levels: $<7.5\text{mW}$ static
- Available in DIP, SOIC, QSOP, ZIP, HQSOP
- Undershoot clamp diodes on all inputs
- TTL-compatible input and output levels
- Ground bounce controlled outputs
- Reduced output swing of 0-3.5V
- Military product compliant to MIL-STD-883, Class B

FCT-T 652T

- JEDEC-FCT spec compatible
- Std., A, C, and D speed grades with 4.9ns t_{PD} for D
- $I_{\text{OL}} = 64\text{mA}$ Ind., 48mA Mil.

FCT-T 2652T

- Built-in 25Ω series resistor outputs reduce reflection and other system noise
- Std., A, C, and D speed grades with 4.9ns t_{PD} for D
- $I_{\text{OL}} = 12\text{mA}$ Ind.

DESCRIPTION

The QSFCT652T and QSFCT2652T are 8-bit high-speed CMOS TTL-compatible registered bus transceivers with three-state outputs that are ideal for driving high capacitance loads such as memory and address buses. The 2652 devices are 25Ω resistor output versions useful for driving transmission lines and reducing system noise. The 2652 series parts can replace the 652 series to reduce noise in an existing design. All inputs have clamp diodes for undershoot noise suppression. All outputs have ground bounce suppression (see QSI Application Note AN-001), and outputs will not load an active bus when V_{CC} is removed from the device.

Figure 1. Functional Block Diagram

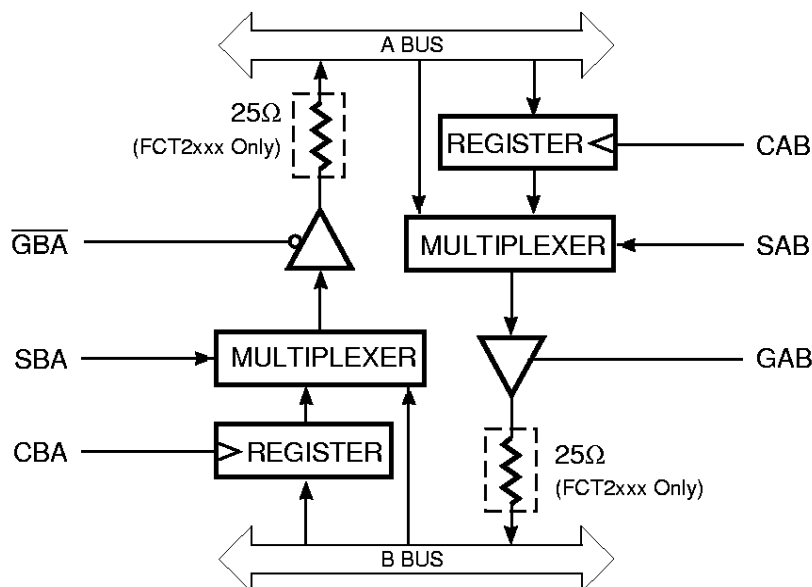


Figure 2. Pin Configurations (All Pins Top View)

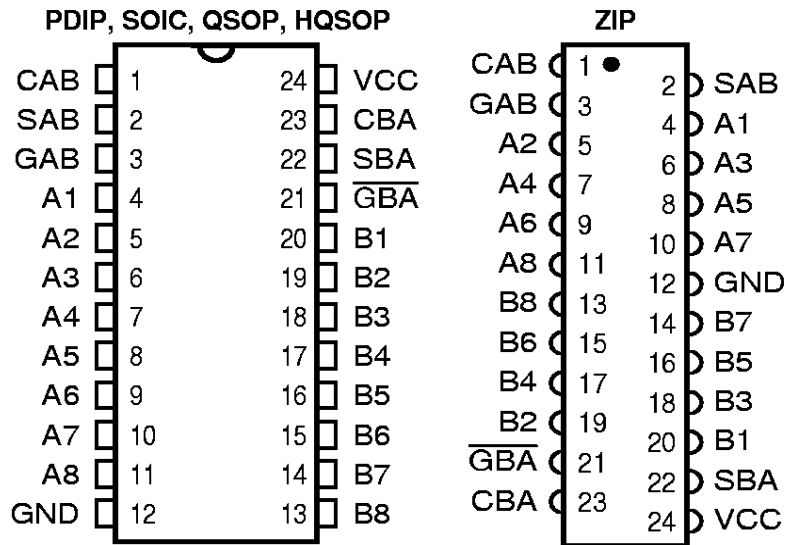


Table 1. Pin Description

Name	I/O	Description
A8-A1	I/O	A Bus
B8-B1	I/O	B Bus
CAB	I	Clock A to Register
CBA	I	Clock B to Register
SAB	I	A Bus or Reg to B
SBA	I	B Bus or Reg to A
GAB	I	Enable A to B
$\overline{\text{GBA}}$	I	Enable B to A

Table 2. Function Table

Inputs						Outputs		Function
GAB	$\overline{\text{GBA}}$	CAB	CBA	SAB	SBA	A8-A1	B8-B1	
L	H	—	—	—	—	Hi-Z	Hi-Z	Disabled
L	L	—	—	—	—	A	Hi-Z	Output A
H	H	—	—	—	—	Hi-Z	B	Output B
H	L	—	—	—	—	A	B	Output A & B
—	—	↑	—	—	—	—	—	Load A Register
—	—	—	↑	—	—	—	—	Load B Register
—	—	—	—	L	—	—	—	A Bus → B Bus
—	—	—	—	H	—	—	—	A Reg → B Bus
—	—	—	—	—	L	—	—	B Bus → A Bus
—	—	—	—	—	H	—	—	B Reg → A Bus

Table 3. Absolute Maximum Ratings

Supply Voltage to Ground.....	-0.5V to 7.0V
DC Output Voltage V_{OUT}	-0.5V to 7.0V
DC Input Voltage V_{IN}	-0.5V to 7.0V
AC Input Voltage (for a pulse width ≤ 20 ns)	-3.0V
DC Input Diode Current with $V_{IN} < 0$	-20mA
DC Output Diode Current with $V_{OUT} < 0$	-50mA
DC Output Current Max. Sink Current/Pin	120mA
Maximum Power Dissipation.....	0.5 watts
T_{STG} Storage Temperature.....	-65° to 150°C

Note: Stresses greater than those listed under ABSOLUTE MAXIMUM RATINGS may cause permanent damage to QSI devices that result in functional or reliability type failures.

Table 4. Capacitance⁽¹⁾

$T_A = 25^\circ\text{C}$, $f = 1\text{MHz}$, $V_{IN} = 0\text{V}$, $V_{OUT} = 0\text{V}$

Pins ⁽²⁾	SOIC	QSOP	PDIP	ZIP	Unit
1-11, 13-23	8	8	9	10	pF

Notes:

1. Capacitance is characterized but not tested.
2. Pin reference for 24-pin package.

Table 5. Power Supply Characteristics

Symbol	Parameter	Test Conditions ⁽¹⁾	Min	Max	Unit
I_{CC}	Quiescent Power Supply Current	$V_{CC} = \text{Max.}$, freq = 0 $0\text{V} \leq V_{IN} \leq 0.2\text{V}$ or $V_{CC} - 0.2\text{V} \leq V_{IN} \leq V_{CC}$	—	1.5	mA
ΔI_{CC}	Supply Current per Input @ TTL HIGH	$V_{CC} = \text{Max.}$, $V_{IN} = 3.4\text{V}$, freq = 0 ⁽²⁾	—	2.0	mA
Q_{CCD}	Supply Current per Input per MHz	$V_{CC} = \text{Max.}$, Outputs Open and Enabled One Bit Toggling @ 50% Duty Cycle Other Inputs at GND or V_{CC} ^(3,4)	—	0.25	mA/ MHz

Notes:

1. For conditions shown as Min. or Max., use the appropriate values specified under DC specifications.
2. Per TTL driven input ($V_{IN} = 3.4\text{V}$).
3. For flip-flops, Q_{CCD} is measured by switching one of the data input pins so that the output changes every clock cycle. This is a measurement of device power consumption only and does not include power to drive load capacitance or tester capacitance. This parameter is guaranteed by design but not tested.
4. I_C can be computed using the above parameters as explained in the Technical Overview section.

QS54/74FCT652T, 2652T

Table 6. DC Electrical Characteristics Over Operating Range

Industrial $T_A = -40^{\circ}\text{C}$ to 85°C , $V_{CC} = 5.0\text{V} \pm 5\%$

Military $T_A = -55^{\circ}\text{C}$ to 125°C , $V_{CC} = 5.0\text{V} \pm 10\%$

Symbol	Parameter	Test Conditions	Min	Typ ⁽¹⁾	Max	Unit
V_{IH}	Input HIGH Voltage	Logic HIGH for All Inputs	2.0	—	—	V
V_{IL}	Input LOW Voltage	Logic LOW for All Inputs	—	—	0.8	V
ΔV_T	Input Hysteresis	$V_{TLH} - V_{THL}$ for All Inputs	—	0.2	—	V
$ I_{IH} $ $ I_{IL} $	Input Current Input HIGH or LOW	$V_{CC} = \text{Max.}, 0 \leq V_{IN} < V_{CC}$	—	—	5	μA
$ I_{OZ} $	Off-State Output Current (Hi-Z)	$V_{CC} = \text{Max.}, 0 \leq V_{IN} \leq V_{CC}$	—	—	5	μA
I_{OS}	Short Circuit Current (FCT652)	$V_{CC} = \text{Max.}, V_{OUT} = \text{GND}^{(2,3)}$	-60	—	—	mA
I_{OR}	Current Drive (FCT2652)	$V_{CC} = \text{Max.}, V_{OUT} = 2.0\text{V}^{(3)}$	50	—	—	mA
V_{IC}	Input Clamp Voltage	$V_{CC} = \text{Min.}, I_{IN} = -18\text{mA}, T_A = 25^{\circ}\text{C}^{(3)}$	—	-0.7	-1.2	V
V_{OH}	Output HIGH Voltage	$V_{CC} = \text{Min.}$ $I_{OH} = -12\text{mA}$ (MIL) $I_{OH} = -15\text{mA}$ (IND)	2.4 2.4	— —	— —	V
V_{OL}	Output LOW Voltage (FCT652)	$V_{CC} = \text{Min.}$ $I_{OL} = 48\text{mA}$ (MIL) $I_{OL} = 64\text{mA}$ (IND)	— —	— —	0.55 0.55	V
V_{OL}	Output LOW Voltage (FCT2652- 25 Ω)	$V_{CC} = \text{Min.}$ $I_{OL} = 12\text{mA}$ (MIL) $I_{OL} = 12\text{mA}$ (IND)	— —	— —	0.50 0.50	V
R_{OUT}	Output Resistance (FCT2652- 25 Ω)	$V_{CC} = \text{Min.}$ $I_{OL} = 12\text{mA}$ (MIL) $I_{OL} = 12\text{mA}$ (IND)	— 20	25 28	— 40	Ω

Notes:

1. Typical values indicate $V_{CC} = 5.0\text{V}$ and $T_A = 25^{\circ}\text{C}$.
2. Not more than one output should be shorted and the duration is ≤ 1 second.
3. These parameters are guaranteed by design but not tested.

QS54/74FCT652T, 2652T

Table 7. Switching Characteristics Over Operating Range

Industrial $T_A = -40^\circ\text{C}$ to 85°C , $V_{CC} = 5.0\text{V} \pm 5\%$

Military $T_A = -55^\circ\text{C}$ to 125°C , $V_{CC} = 5.0\text{V} \pm 10\%$

$C_{LOAD} = 50\text{pF}$, $R_{LOAD} = 500\Omega$ unless otherwise noted.

Symbol	Description ⁽¹⁾		652 2652		652A 2652A		652C		652D		Unit
			Min	Max	Min	Max	Min	Max	Min	Max	
t_{PHLB} t_{PLHB}	Bus to Bus Delay, 652	Ind Mil	2.0 2.0	9.0 10	2.0 2.0	6.3 7.7	1.5 1.5	5.4 6.0	1.5 1.5	4.9 5.5	ns
t_{PHLB} t_{PLHB}	Bus to Bus Delay, 2652	Ind Mil	2.0 2.0	9.0 10	2.0 2.0	6.3 7.7	1.5 1.5	5.4 6.0	1.5 1.5	4.9 5.5	ns
t_{PZH} t_{PZL}	Output Enable Time, 652	Ind Mil	2.0 2.0	10 12	2.0 2.0	9.8 10.5	1.5 1.5	7.8 8.9	1.5 1.5	7.4 8.4	ns
t_{PZH} t_{PZL}	Output Enable Time, 2652	Ind Mil	2.0 2.0	10 12	2.0 2.0	9.8 10.5	1.5 1.5	7.8 8.9	1.5 1.5	7.4 8.4	ns
t_{PHZ} t_{PLZ}	Output Disable Time	Ind ⁽²⁾ Mil ⁽²⁾	2.0 2.0	9.0 12	2.0 2.0	6.3 7.7	1.5 1.5	6.3 7.7	1.5 1.5	6.0 7.0	ns
t_{PHLC} t_{PLHC}	Clock to Bus Delay, 652	Ind Mil	2.0 2.0	9.0 10	2.0 2.0	6.3 7.0	1.5 1.5	5.7 6.3	1.5 1.5	5.2 6.0	ns
t_{PHLC} t_{PLHC}	Clock to Bus Delay, 2652	Ind Mil	2.0 2.0	9.0 11	2.0 2.0	6.3 7.0	1.5 1.5	5.7 6.3	1.5 1.5	5.2 6.0	ns
t_{PHLS} t_{PLHS}	SBA/SAB to Bus Delay, 652	Ind Mil	2.0 2.0	11 12	2.0 2.0	7.7 8.4	1.5 1.5	6.2 7.0	1.5 1.5	5.8 6.6	ns
t_{PHLS} t_{PLHS}	SBA/SAB to Bus Delay, 2652	Ind Mil	2.0 2.0	11 12	2.0 2.0	7.7 8.4	1.5 1.5	6.2 7.0	1.5 1.5	5.8 6.6	ns
t_S	Data Setup Time	Ind Mil	4.0 4.5	— —	2.0 2.0	— —	2.0 2.0	— —	2.0 2.0	— —	ns
t_H	Data Hold Time	Ind Mil	2.0 2.0	— —	1.5 1.5	— —	1.5 1.5	— —	1.5 1.5	— —	ns
t_{PWH} t_{PWL}	Clock Pulse Width HIGH or LOW	Ind ⁽²⁾ Mil ⁽²⁾	6.0 6.0	— —	5.0 5.0	— —	5.0 5.0	— —	5.0 5.0	— —	ns

Notes:

1. Minimums guaranteed but not tested for all parameters except t_S and t_H .
2. This parameter is guaranteed by design but not tested.
3. See Test Circuit and Waveforms.