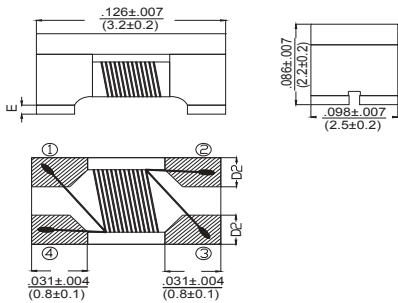


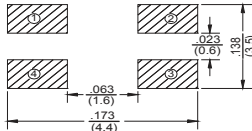
Common Mode Filter

SCM25

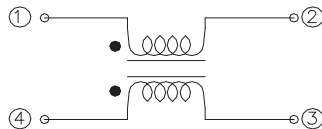
Dimensions: Inches (mm)



Recommended PCB Layout:



Schematic



Allied Part Number	Impedance (Ω) ±25%	Test Freq. (MHz)	Rated Current (mA)Max	Rated Voltage Vdc Max	Withstand Volt (Vdc) (Max)	DCR Max (Ω)	IR Min (Ω)
SCM25-900T-RC	90	100	1000	60	125	0.27	10M
SCM25-601T-RC	600	100	1000	60	125	0.20	10M
SCM25-102T-RC	1000	100	1200	60	125	0.30	10M
SCM25-T15-102T-RC	1000	100	1500	60	125	0.30	10M

All specifications subject to change without notice.

Features

- SMD (1210) common mode filter
- Excellent noise attenuation in a small package
- Suitable for automated assembly
- SCM series offers wide impedance range
- Excellent solderability

Electrical

- Impedance range:** 90 Ω to 1000 Ω
- Tolerance:** 25% over entire range
- Test Frequency:** 100MHz
- Operating Temp:** -40°C ~ 125°C
- Rated Current:** Based on temp rise of 40°C above ambient with no current

Resistance to Solder Heat

- Pre-Heat 150°C, 1 minute
- Solder Composition:** Sn/Ag3.0/Cu0.5
- Solder Temp:** 260°C peak for 10 sec.
- Test time:** 4 minutes

Test Equipment

- (Z): HP4286A / HP4287A /
- (DCR): Chen Hwa 502BC
- Insulation Resistance:** HP4339B

Physical

- Packaging:** 2000pcs per 7 inch reel
- Marking:** None

