

# IR5 12:1 DUAL-LASER INFRARED THERMOMETER

°F °C

-22° - 752° F  
-30° - 400° C



Dual lasers for more accurate measurements

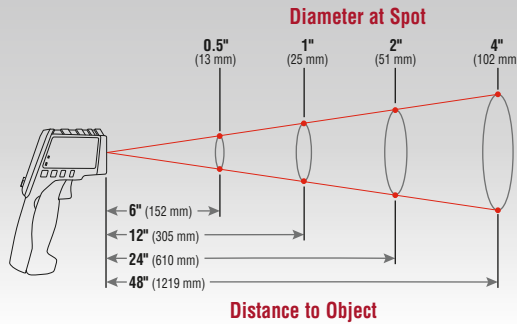
**KLEIN TOOLS**   
For Professionals... Since 1857™



# IR5 12:1 Dual-Laser Infrared Thermometer



Laser dots indicate the measurement diameter:



The IR5 dual lasers assist in targeting the measurement area. The distance between the two laser spots on the surface of the object being measured approximates the diameter of the circular measurement area from which the infrared sensor is collecting data.

The IR5 is a professional dual-laser targeting infrared thermometer that offers a wide measurement range, a tight distance-to-spot ratio, and several calculation modes to facilitate different temperature measurement applications.

### Features:

- Dual-laser Targeting
- 12:1 Distance to spot ratio
- Auto Scan
- Max/Min/Avg/Diff
- High/Low Alarm
- Backlit Display
- Auto Power Off
- Adjustable Emissivity

### Measurement

Dual-Laser Targeting		•
Temperature	°F/°C	-22° - 752° F (-30° - 400° C)
Backlight		•
High/Low Alarm	HI/LO	•
Max/Min Value	MAX/MIN	•
Auto Power-Off	Apo	•
Data Hold	HOLD	•
Adjustable Emissivity		0.10 - 1.00

### Durability

Drop Protection		6.6 ft. (2 m)
-----------------	--	------------------

### Included Accessories:

Pouch, Battery



°F °C  
-22° - 752° F  
-30° - 400° C

Cat. No.	UPC# 0-92644+	Batteries	Height	Width	Depth	Weight (oz.)
IR5	69030-3	1 x 9V	6.83" (173 mm)	1.85" (47 mm)	4.53" (115 mm)	9.84 (279 g)



**CAUTION:** Reflective materials may be hotter than indicated. Laser radiation-Do NOT stare into beam. Class 2 laser product.

See our complete line of Test & Measure products

[www.kleintools.com](http://www.kleintools.com)



Pats. Pending



© 2016 Klein Tools, Inc.  
Lincolnshire, IL 60069-1418  
96445 Rev. 03/16 A

**KLEIN TOOLS**  
EST. 1857  
For Professionals... Since 1857™