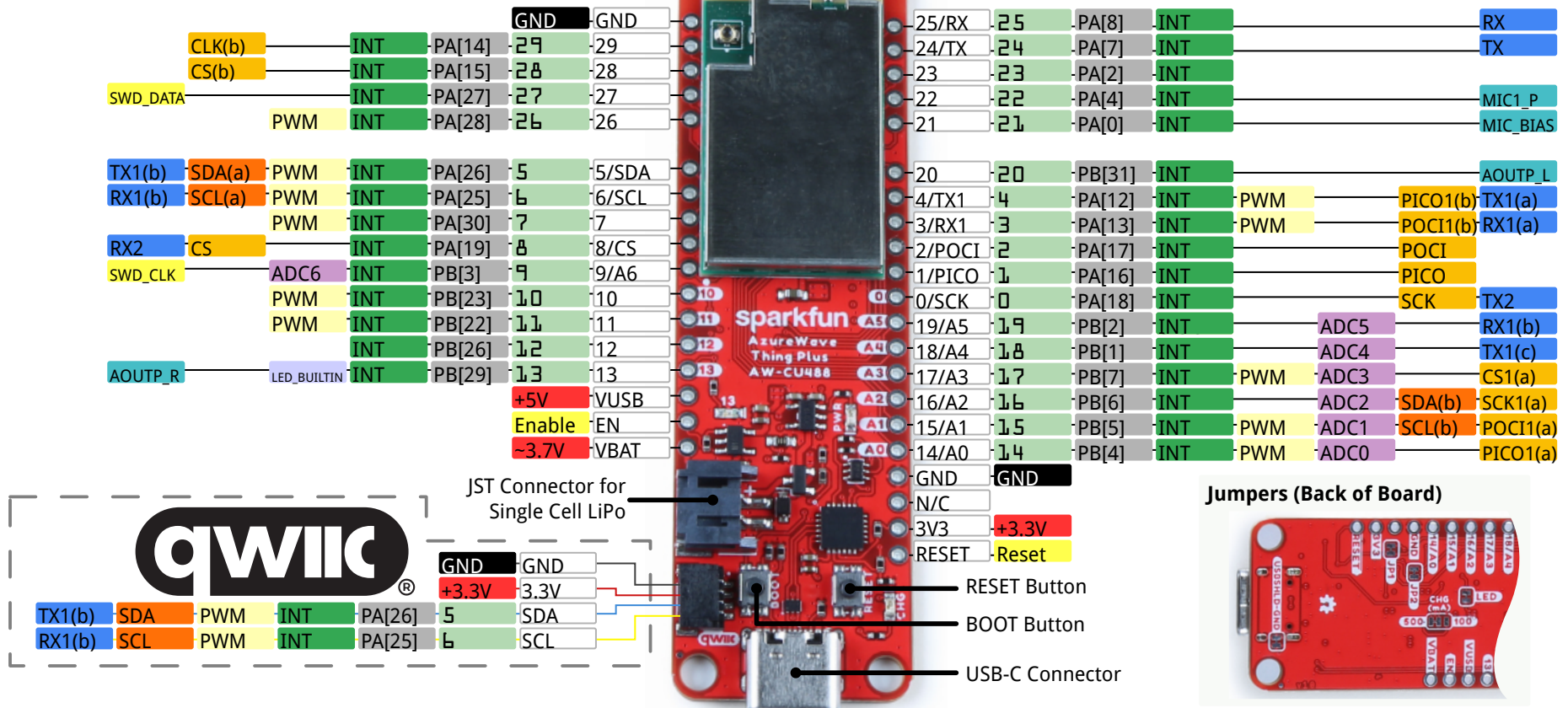
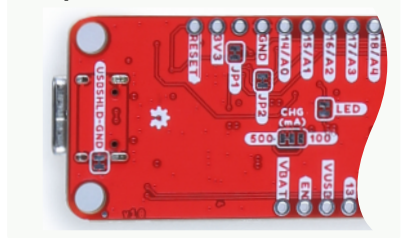


SparkFun AzureWave Thing Plus (AW-CU488)

DEV-19957



Jumpers (Back of Board)



Power and Logic Levels

VUSB: direct to USB (5V)

VBAT: direct to LiPo battery (and Microchip MCP73831 charger, 500mA default charge rate)

3V3: Output of XC6222 regulator (3.3V/700mA)

GPIO logic levels: 3.3V

Notes

- The GPIO can be muxed. Pins labeled with the (a) or (b) are alternative locations.
- If pin 27 is connected to GND when AW-CU488 boots up, the Arduino bootloader will not boot up properly and enter "test/debug" mode. Make sure that this pin is left HIGH at bootup so that it can run your code and enter "normal" mode.

AzureWave AW-CU488 Module

- Realtek RTL8721DM Dual Processor Core
- Real-M300 CPU (ArmV8-M, Cortex-M33)
- Real-M200 CPU (ArmV8-M, Cortex-M23)
- up to 200MHz operating frequency
- 512kB SRAM and 4MB PSRAM
- 32Mbit SPI Flash
- 2.4GHz/5GHz WiFi 802.11a/b/g/n 1T1R WLAN
- Built-in Antenna w/ Internal Shielding Antenna
- 2-Channel Audio CODEC (8/12/16/24/32/48/.../176.4 KHz)

Interfaces

- 30x GPIO, 30x Interrupts, 7x 12-bit ADC, 11x PWM, 2x UART, 2x SPI, 1x I2C

User Interfaces

- RST Button
- BOOT Button

LEDs

- User LED: Blue (13)
- Power LED: Red
- Charge LED: Orange

Legend

Name	Port	PWM
Power	UART	Audio
GND	I2C	Interrupt
Control	SPI	Misc
Arduino	ADC	

