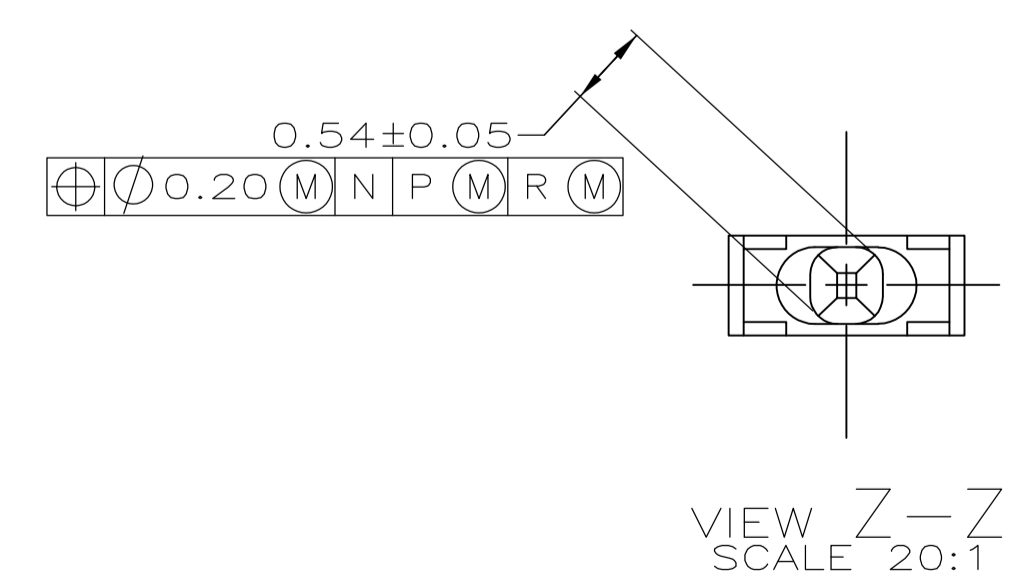
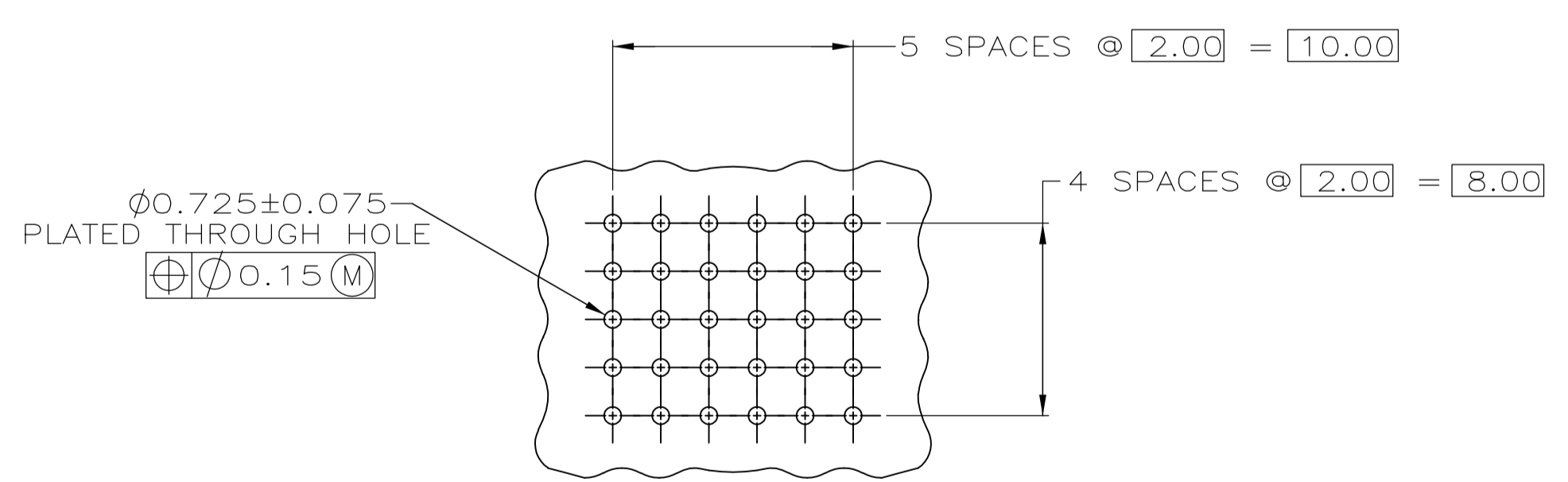
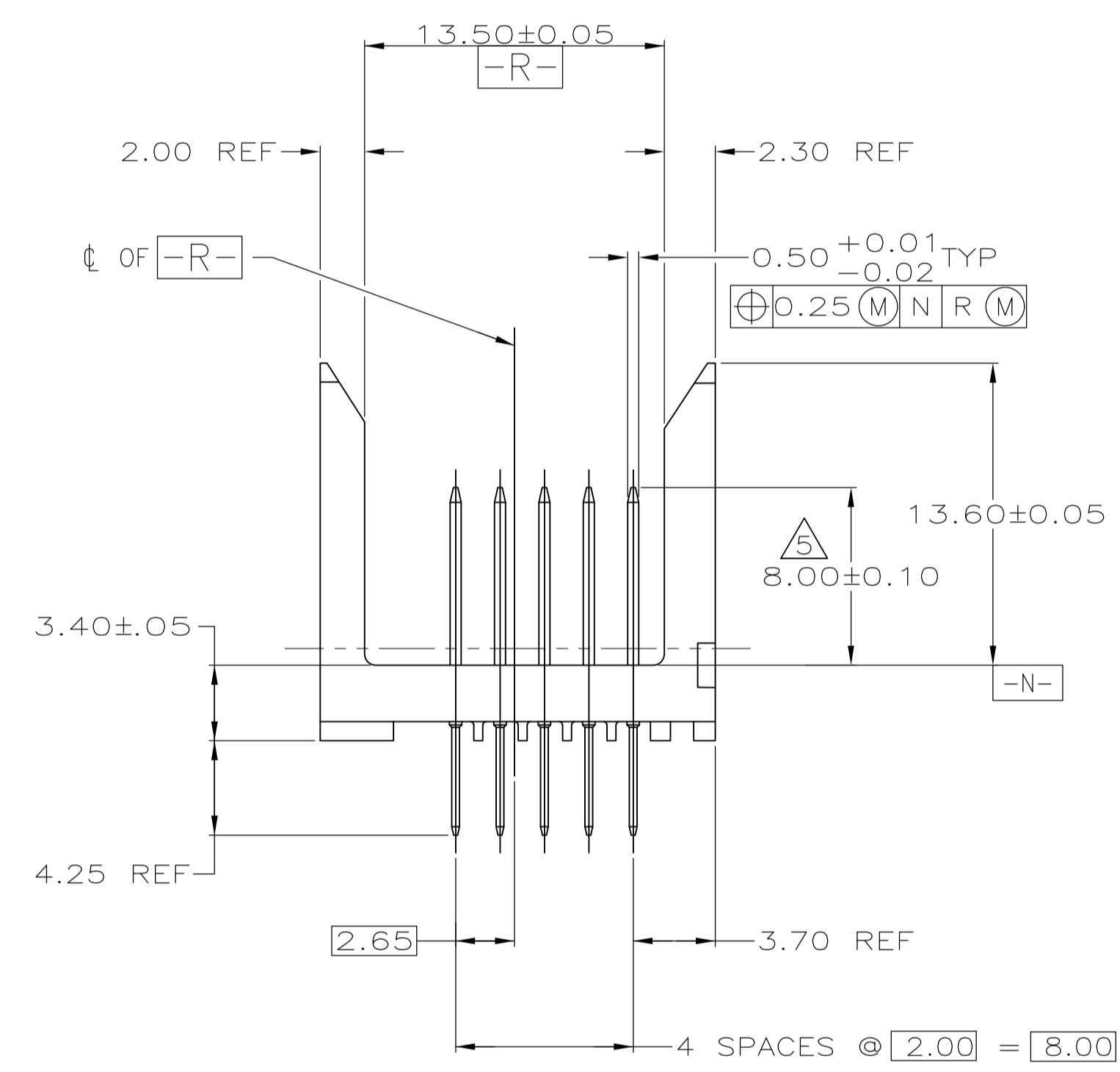
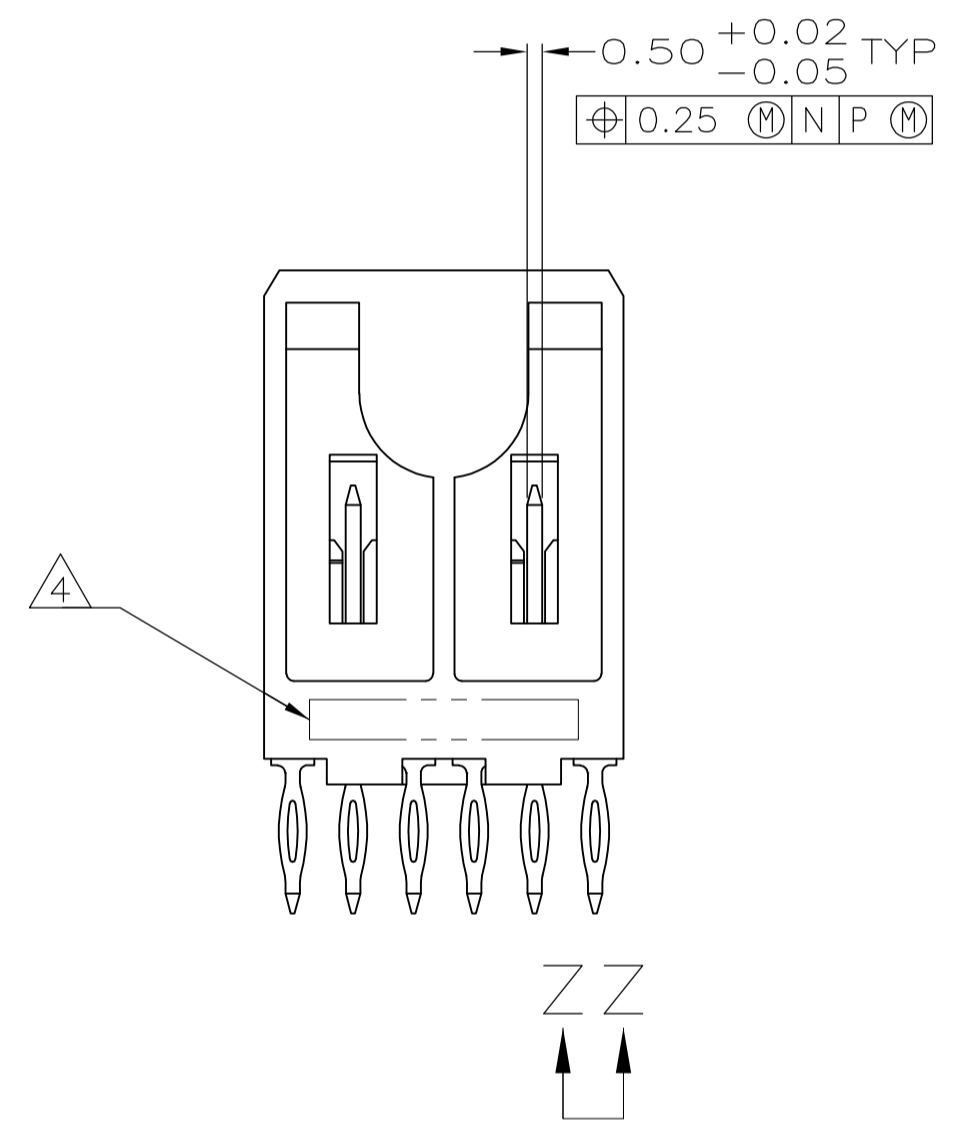
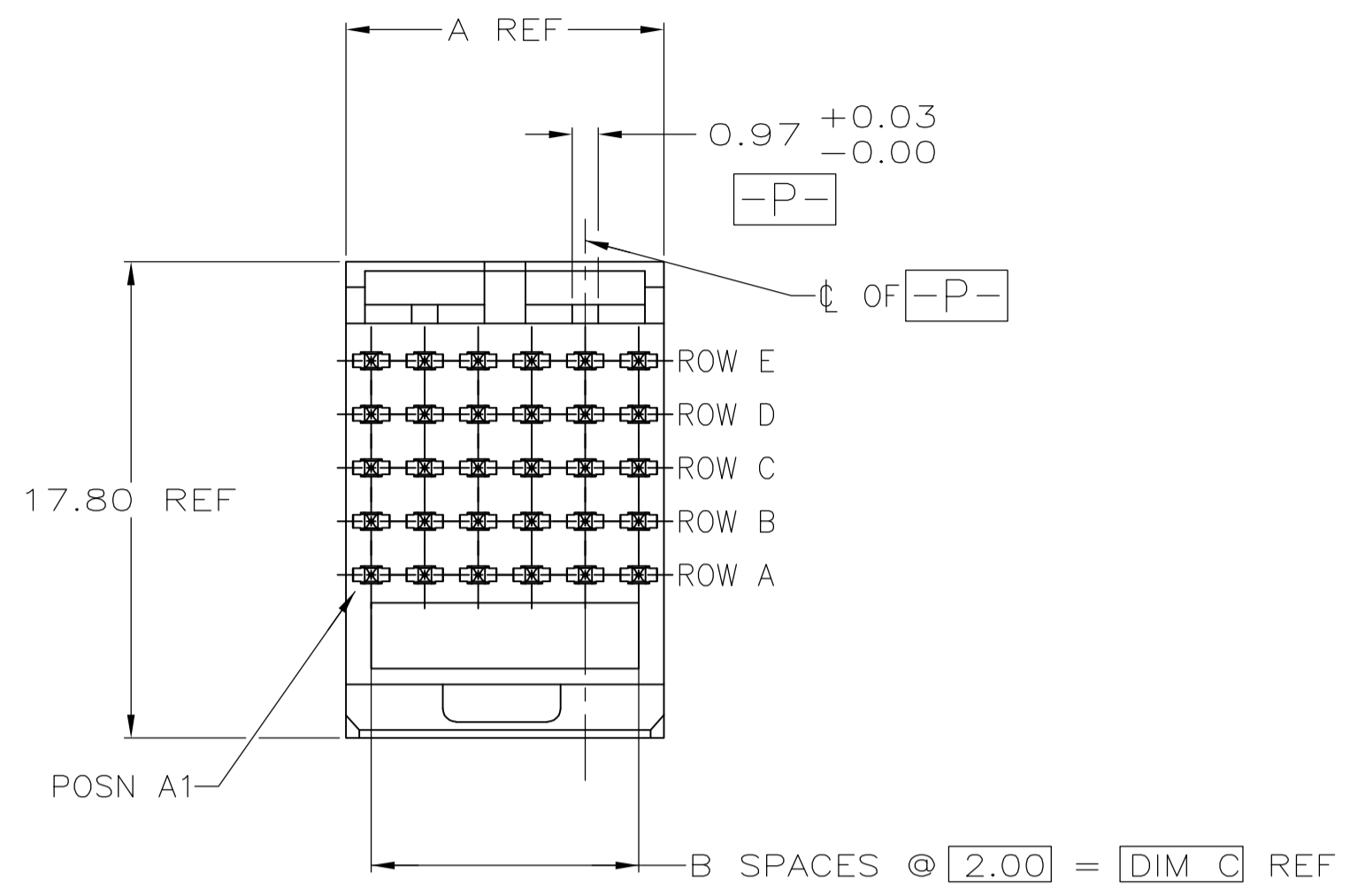


LOC		DIST		REVISIONS				
AD	00	REV	DATE	BY	CHK	APP		
0		RELEASED PER EC 0512-0317-04	22NOV04	BM	RW			
01		REVISED PER ECO-09-024606	29OCT09	KK	AEG			



- △ HOUSING MATERIAL: LIQUID CRYSTAL POLYMER. COLOR: NATURAL.
- △ CONTACT MATERIAL: PHOSPHOR BRONZE.
- △ CONTACT FINISH:(B)
 UNDERPLATE (ENTIRE CONTACT):
 0.00127 MIN NICKEL PER SAE-AMS-QQ-N-290
 ON MATING SURFACES:
 CONFORMS TO ALL TESTING SPECIFIED FOR TELCORDIA UNCONTROLLED ENVIRONMENT.
 ON LEADS:
 0.0006 MIN MATTE TIN PER ASTM B 545 OVER UNDERPLATE.
 LUBRICATION (MIN MATING SURFACES):
 SURFACE CONDITIONER AFTER PLATING.
- △ PART MARKING LOCATED APPROXIMATELY AS SHOWN.
- △ DIMENSION APPLIES WHEN SEATED ON PRINTED CIRCUIT BOARD.
- △ OBSOLETE PARTS: OBSOLETE CIS STREAMLINING PER D.RENAUD/D.SINISI

REV	DATE	BY	CHK	APP
94	47	95.88	240	223018-8
46	23	47.88	120	223018-4
22	11	23.88	60	223018-2
10	5	11.88	30	223018-1

REV	DATE	BY	CHK	APP
C	B	A	NO OF SIGNAL POSN	PART NUMBER

THIS DRAWING IS A CONTROLLED DOCUMENT.

DIMENSIONS:	TOLERANCES UNLESS OTHERWISE SPECIFIED:	0 PLC ± -	1 PLC ± -	2 PLC ± 0.13	3 PLC ± -	4 PLC ± -	ANGLES ± -
-------------	--	-----------	-----------	--------------	-----------	-----------	------------

MATERIAL	FINISH	WEIGHT	SIZE	CAGE CODE	DRAWING NO	RESTRICTED TO
△ 1	△ 2	△ 3	A1	00779	5223018	-

CUSTOMER DRAWING SCALE 4:1 SHEET 1 OF 1 REV 01