

POLE	2	3	4	5	6
A	7.80	11.30	14.80	18.30	21.80
B	3.50	7.00	10.50	14.00	17.50
Tol.	±0.10				

SIGN	DATE	DESCRIPTION	APPROVER
△	09/05/25	wire strip length changed from 6-7mm to 8-9mm	Eris
△	09/05/25	Withstanding Voltage changed from 1.3KV to 1.6KV	Eris
△	09/05/25	temperature changed from -33°C-105°C to -40°C-115°C	Eris
△	09/05/25	Add Safety Approval	Eris

*THIS IS CAD DRAWING, DO NOT REVISE MANUALLY!!!*

**Material:**

- Item ① Terminal lever: Thermoplastic (UL94V-0)
- Item ② Terminal up housing: Thermoplastic (UL94V-0)
- Item ③ Wire guard: Stainless steel
- Item ④ Contact pin: PhBz.( CuSn ) , Tin plated.
- Item ⑤ Terminal down housing: Thermoplastic (UL94V-0)

Electrical: cULus

- Voltage rating: 300 V
- Current rating: 8 A
- Wire range:
  - Solid wire(AWG): 16-28
  - Stranded wire(AWG): 16-28
- △ ● Wire strip length: 8-9 mm
- △ ● Withstanding Voltage: 1.6 KV
- △ ● Operating temperature: -40°C to +115°C
- △ ● Safety Approval:

HW xx 1 0 x 0 xxxx G

No. OF POLES  
02: 2 POLES  
:  
:  
06: 6 POLES

COLOR  
0: BLACK  
5: GREEN (RAL 6018/T)  
6: BLUE  
8: GREY (RAL 7004/P)

G: Pb<40000ppm  
0000: "@ " Logo (Standard)  
000A: "ANYTEK" Mark  
Any special item by customer request. please contact sales department.

**ANYTEK**

**CUSTOMER COPY**

ALL RIGHTS RESERVED. REPRODUCTION OR ISSUE TO THIRD PARTIES IN ANY FORM WHATSOEVER IS NOT PERMITTED WITHOUT WRITTEN AUTHORITY FROM THE PROPRIETOR. PROPERTY OF ANYTEK TECHNOLOGY CO., LTD

TITLE				HW 3.5mm W/O Flange Series (2P-6P)				
PART NO.		HWxx10x0xxxxG		DWG NO.		8HW0404		
APPROVED	CHECKED	DESIGNED	DRAWN	CUST NO.		Tolerance		
		Kind	Eris			X.	±0.50	
		2010.01.07	2009.05.25			UNIT: mm	X.X	±0.30
				SHEET: 01/01		SCALE: NONE	X.XX	±0.10
						REV.: C	X°	±1°


SIGN	DATE	DESCRIPTION	APPROVER
△	09/05/25	wire strip length changed from 6-7mm to 8-9mm	Eris
△	09/05/25	Withstanding Voltage changed from 1.3KV to 1.6KV	Eris
△	09/05/25	temperature changed from -33°C-105°C to -40°C-115°C	Eris
△	09/05/25	Add Safety Approval	Eris

THIS IS CAD DRAWING, DO NOT REVISE MANUALLY!!!

Material:

- Item ① Terminal lever: Thermoplastic (UL94V-0)
- Item ② Terminal up housing: Thermoplastic (UL94V-0)
- Item ③ Wire guard: Stainless steel
- Item ④ Terminal Body(contact pin): PhBz. ( CuSn ) , Tin plated.
- Item ⑤ Terminal down housing: Thermoplastic (UL94V-0)

Electrical: cULus

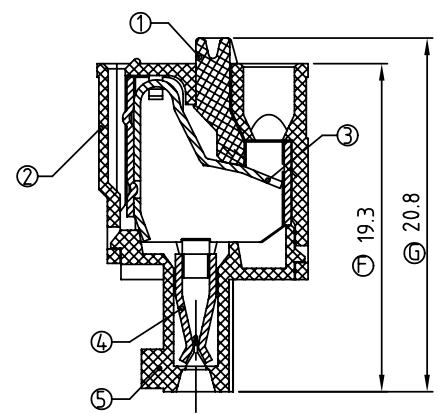
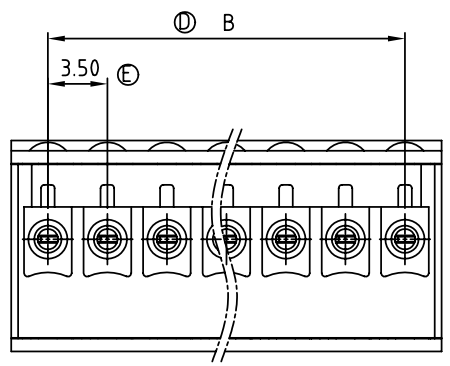
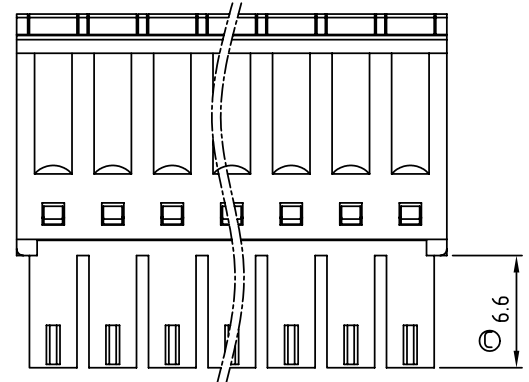
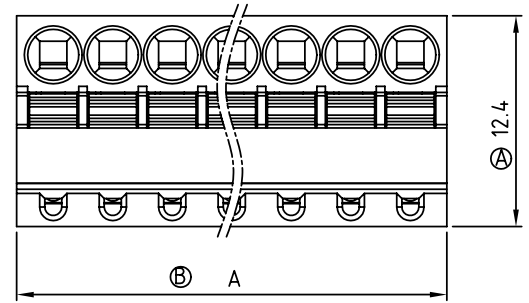
- Voltage rating: 300 V
- Current rating: 8 A
- Wire range:
  - Solid wire(AWG): 16-28
  - Stranded wire(AWG): 16-28
- △● Wire strip length: 8-9 mm
- △● Withstanding Voltage: 1.6 KV
- △● Operating temperature: -40°C to +115°C
- △● Safety Approval: 

HW xx 1 0 x 0 xxxx G

No. OF POLES  
07: 7 POLES  
:  
:  
24: 24 POLES

COLOR  
0: BLACK  
5: GREEN (RAL 6018/T)  
6: BLUE  
8: GREY (RAL 7004/P)

G: Pb<40000ppm  
0000: "@ " Logo (Standard)  
000A: "ANYTEK" Mark  
Any special item by customer request. please contact sales department.



POLE		2	3	4	5	6	7	8	9	10	11	12
A		/	/	/	/	/	25.30	28.80	32.30	35.80	39.30	42.80
B		/	/	/	/	/	21.00	24.50	28.00	31.50	35.00	38.50
Tol.		±0.15										
POLE	13	14	15	16	17	18	19	20	21	22	23	24
A	46.30	49.80	53.30	56.80	60.30	63.80	67.30	70.80	74.30	77.80	81.30	84.80
B	42.00	45.50	49.00	52.50	56.00	59.50	63.00	66.50	70.00	73.50	77.00	80.50
Tol.	±0.20						±0.30					

**ANYTEK**

**CUSTOMER COPY**

ALL RIGHTS RESERVED. REPRODUCTION OR ISSUE TO THIRD PARTIES IN ANY FORM WHATSOEVER IS NOT PERMITTED WITHOUT WRITTEN AUTHORITY FROM THE PROPRIETOR. PROPERTY OF ANYTEK TECHNOLOGY CO., LTD

TITLE	HW 3.5mm W/O Flange Series (7P-24P)												
PART NO.	HWxx10x0xxxxG						DWG NO.	8HW0402					
APPROVED	CHECKED	DESIGNED	DRAWN	CUST NO.									Tolerance
													X. ±0.50
													X.X ±0.30
													X.XX ±0.10
													X° ±1°
		Kind	Eris	SHEET: 01/01		REV.: C							
		2010.01.07	2009.05.25										