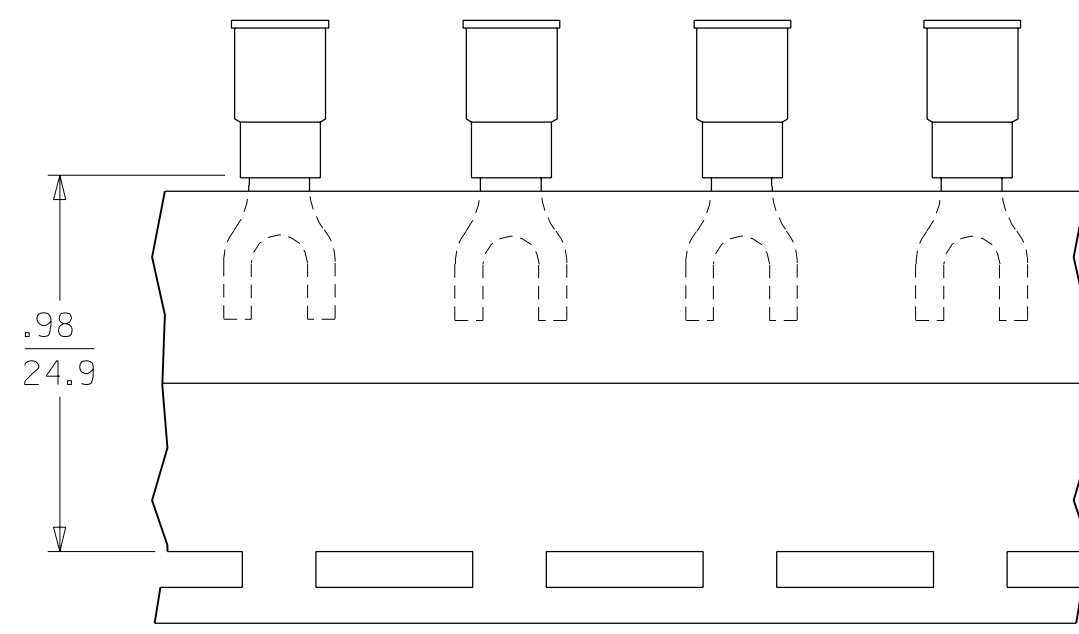
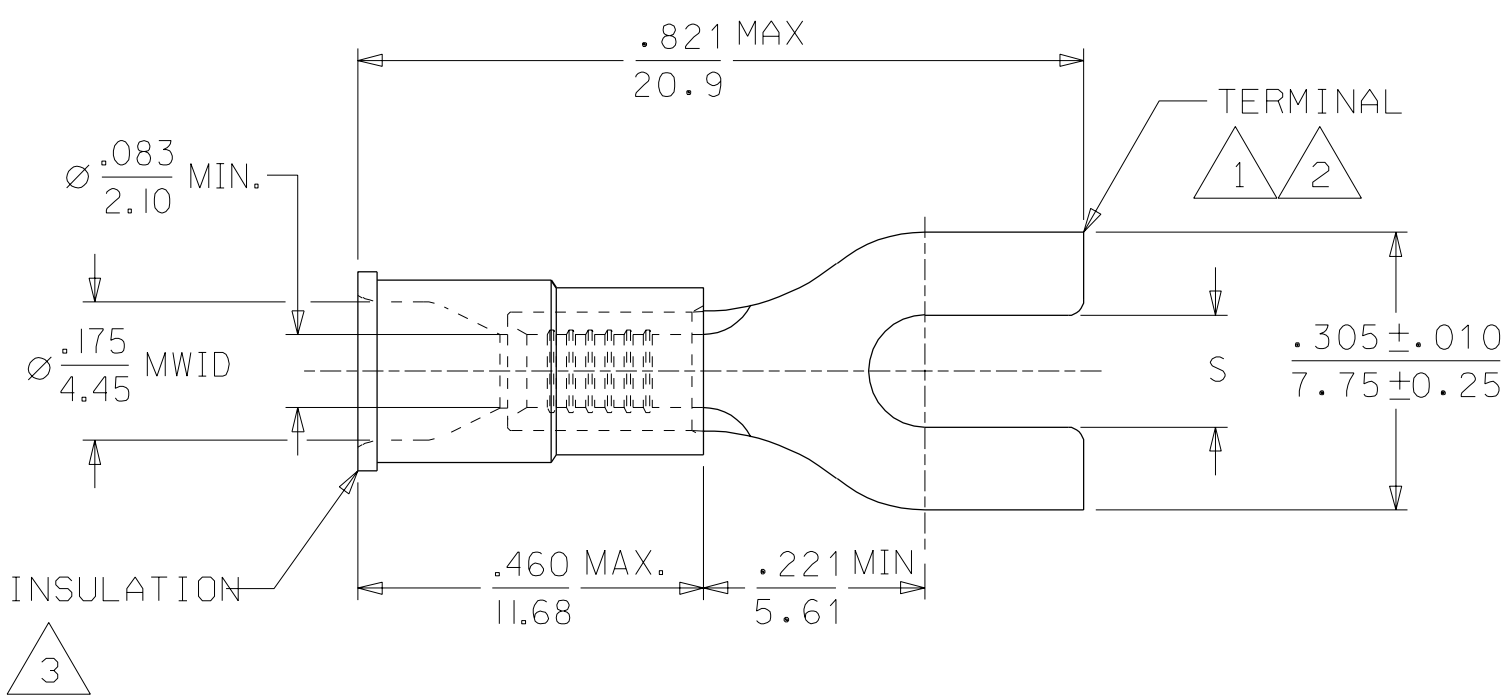


MATERIAL NUMBER	ENGINEERING NUMBER	STUD SIZE	"S" ±.005/(0.13)	PACKAGING
191420043	B-2781-04X	4	.119/(3.02)	LOOSE PIECE
191300044	B-2781-06X	6	.146/(3.71)	
191300045	B-2781-08X	8	.173/(4.39)	
191300046	B-2781-10X	10	.198/(5.03)	
191420174	B-2781-04XT	4	.119/(3.02)	TAPE MOUNTED
191300012	B-2781-06XT	6	.146/(3.71)	
191300013	B-2781-08XT	8	.173/(4.39)	
191300046	B-2781-10XT	10	.198/(5.03)	



SALES DRAWING

NOTES:
 1. MATERIAL: COPPER .032/ .030(.81/ .76) THICK.
 2. PLATING: ELECTRO-TIN.
 3. INSULATION: MOLDED PVC (BLUE).
 5. MWID=MAXIMUM WIRE INSULATION DIAMETER.

NAME CHANGE	EC NO. ETC2002-0070	QUALITY SYMBOLS
DRWN: BRE	01/09/06	MAJOR
CHK: RWD	01/09/06	CRITICAL
APPR: RWD	01/09/06	
REV	DESCRIPTION	
A1		

GENERAL TOLERANCES: (UNLESS SPECIFIED)	
4 PLACES	±0. ±.
3 PLACES	±0. ±.
2 PLACES	±0. ±.
1 PLACE	±0. ±.
ANGULAR: ±1/2°	
DRAFT WHERE APPLICABLE MUST REMAIN WITHIN DIMENSIONS	

SCALE	DESIGN UNITS
4:1	<input type="checkbox"/> mm <input checked="" type="checkbox"/> INCH
DRAWN BY & DATE	
BRE 01/08/15	
CHECKED BY & DATE	
RWD 01/08/15	
APPROVED BY & DATE	
RWD 01/08/15	
CAD FILENAME	
SD-19130-003.DGN	

DIMENSIONS:		SHT	REV
<input type="checkbox"/> mm	<input checked="" type="checkbox"/> INCH		
<input type="checkbox"/> INCH	<input type="checkbox"/> mm ONLY		REVISE ON CAD ONLY
TITLE: SPADE TONGUE TERMINAL INSULKRIMP (A1) 16-14 AWG			
MOLEX INCORPORATED			
MATERIAL NO.	DRAWING NO.	SHEET NO.	
SEE CHART	SD-19130-003	1 OF 1	
THIS DRAWING CONTAINS INFORMATION THAT IS PROPRIETARY TO MOLEX INCORPORATED AND SHOULD NOT BE USED WITHOUT WRITTEN PERMISSION.			SIZE B