

CLOUD CLIENT 2002T-WLAN - Router



1234360

<https://www.phoenixcontact.com/us/products/1234360>

Please be informed that the data shown in this PDF document is generated from our online catalog. Please find the complete data in the user documentation. Our general terms of use for downloads are valid.



Industrial VPN gateway for mGuard Secure Cloud, IPsec communication via WLAN client 802.11a/b/g/n, 150 Mbps, 2.4 GHz + 5 GHz, 2-port switch, antenna connections: 2 RSMA WLAN, 4 DI, 2 DO

Your advantages

- Virtual dedicated line to connect networks via cellular network
- Configuration via web-based management or microSD card
- 2 local Ethernet connections
- Switchable energy-saving mode
- Integrated logbook
- Extended temperature range of -40 °C ... +70 °C
- Four digital inputs
- 2 digital outputs

Commercial data

Item number	1234360
Packing unit	1 pc
Minimum order quantity	1 pc
Sales key	DN25
Product key	DNC422
GTIN	4063151338237
Weight per piece (including packing)	320.3 g
Weight per piece (excluding packing)	320.3 g
Customs tariff number	85176200
Country of origin	DE

1234360

<https://www.phoenixcontact.com/us/products/1234360>

Technical data

Notes

Utilization restriction

EMC note	EMC: class A product, see manufacturer's declaration in the download area
----------	---------------------------------------------------------------------------

Product properties

Product type	Remote maintenance gateway
Application	Ethernet
MTTF	384 Years (SN 29500 standard, temperature 25°C, operating cycle 21%)
	180 Years (SN 29500 standard, temperature 40°C, operating cycle 34.25%)
	64 Years (SN 29500 standard, temperature 40°C, operating cycle 100%)

Electrical properties

Electrical isolation	VCC // Ethernet
Maximum power dissipation for nominal condition	4.32 W

Supply

Supply voltage range	10 V DC ... 30 V DC (Via pluggable Push-in terminal block)
Typical current consumption	< 180 mA (24 V DC)
	< 500 mA (10 V DC)
	≤ 3 mA (With activated energy-saving mode)
Max. current consumption	1.5 A
Connection method	Push-in spring connection

Function

Management	Web-based management
	SNMPv1/v2/v3
Data storage system	Micro SDHC card

Input data

Digital

Description of the input	Digital input
Number of inputs	4
Voltage input signal	10 V DC ... 30 V DC
Switching level "0" signal	< 8 V DC
Switching level "1" signal	10 V DC ... 30 V DC

Output data

Signal

CLOUD CLIENT 2002T-WLAN - Router



1234360

<https://www.phoenixcontact.com/us/products/1234360>

Output name	Digital output
Number of outputs	2
Voltage output signal	10 V DC ... 30 V DC (depending on the operating voltage)
Current output signal	≤ 50 mA (Not short-circuit proof)

Connection data

Supply

Connection method	Push-in spring connection
Conductor cross section flexible, with ferrule without plastic sleeve	0.25 mm ² ... 1.5 mm ²
Conductor cross section, flexible, with ferrule, with plastic sleeve	0.25 mm ² ... 0.75 mm ²
Conductor cross section, flexible	0.14 mm ² ... 1.50 mm ²
Conductor cross section, rigid	0.14 mm ² ... 1.50 mm ²
Conductor cross section AWG	26 ... 16
Stripping length	9 mm

Interfaces

Web server	yes
------------	-----

Data: Ethernet interface, 10/100Base-T(X) in accordance with IEEE 802.3

Serial transmission speed	10/100 Mbps, auto negotiation
Connection method	RJ45 jack, shielded
No. of channels	2
Transmission length	100 m (shielded twisted pair)
Protocols supported	TCP/IP, UDP/IP, HTTP(S), (S)FTP, TFTP, SCEP, RADIUS, IPsec Network Discovery: LLDP, CDP, FDP, SONMP, EDP, IRDP
Auxiliary protocols	ARP, DHCP, DNS, DynDNS, PING (ICMP), SMTP(S), NTP, SSL/TLS, STARTTLS, SMS

Wireless

Interface description	WLAN in accordance with IEEE 802.11 a/b/g/n
Operating mode	Access point
	Client
	Dual mode
	Mesh
Frequency	5 GHz
	2.4 GHz
Data rate	11 Mbps (2.4 GHz)
	54 Mbps (2.4 GHz)
	144 Mbps (2.4 GHz)
	54 Mbps (5 GHz)
	150 Mbps (5 GHz)
Antenna connection method	RSMA (female)
Security	WPA, WPA2 (TKIP, CCMP, PSK, RADIUS)

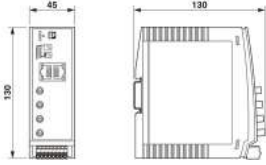
CLOUD CLIENT 2002T-WLAN - Router



1234360

<https://www.phoenixcontact.com/us/products/1234360>

Dimensions

Dimensional drawing	
Width	45 mm
Height	130 mm
Depth	130 mm

Material specifications

Material	Polycarbonate
----------	---------------

Environmental and real-life conditions

Ambient conditions

Degree of protection	IP20
Ambient temperature (operation)	-40 °C ... 70 °C
Ambient temperature (storage/transport)	-40 °C ... 85 °C
Altitude	≤ 5000 m (For restrictions, see the manufacturer's declaration for altitude operation)
Permissible humidity (operation)	10 % ... 95 % (non-condensing)
Permissible humidity (storage/transport)	10 % ... 95 % (non-condensing)

Approvals

CE

Certificate	CE-compliant
-------------	--------------

Wireless approval USA, FCC

Certificate	Z64-WL18DBMOD
Note	FCC directive, part 15

EMC data

Noise immunity	EN 61000-6-2
Electromagnetic compatibility	Conformance with RED Directive 2014/53/EU

Electrostatic discharge

Standards/regulations	EN 61000-4-2
-----------------------	--------------

Electrostatic discharge

Contact discharge	± 6 kV (Test Level 3)
Discharge in air	± 8 kV (Test Level 3)
Comments	Criterion B

Electromagnetic HF field

CLOUD CLIENT 2002T-WLAN - Router



1234360

<https://www.phoenixcontact.com/us/products/1234360>

Standards/regulations	EN 61000-4-3
-----------------------	--------------

Electromagnetic HF field

Frequency range	80 MHz ... 3 GHz (Test Level 3)
Field intensity	10 V/m
Comments	Criterion A

Fast transients (burst)

Standards/regulations	EN 61000-4-4
-----------------------	--------------

Fast transients (burst)

Input	± 2 kV (Test Level 3)
Signal	± 2 kV (Ethernet)
Comments	Criterion B

Surge current load (surge)

Standards/regulations	EN 61000-4-5
-----------------------	--------------

Surge current load (surge)

Input	± 0.5 kV (symmetrical) ± 1 kV (asymmetrical)
Signal	± 1 kV (Data line, asymmetrical)
Comments	Criterion B

Conducted interference

Standards/regulations	EN 61000-4-6
-----------------------	--------------

Conducted interference

Frequency range	0.15 MHz ... 80 MHz
Comments	Criterion A
Voltage	10 V

Emitted interference

Radio interference voltage in acc. with EN 55011	Class B, area of application: Industry and residential
Emitted radio interference in acc. with EN 55011	Class B, area of application: Industry and residential

Criteria

Criterion A	Normal operating behavior within the specified limits.
Criterion B	Temporary impairment to operational behavior that is corrected by the device itself.

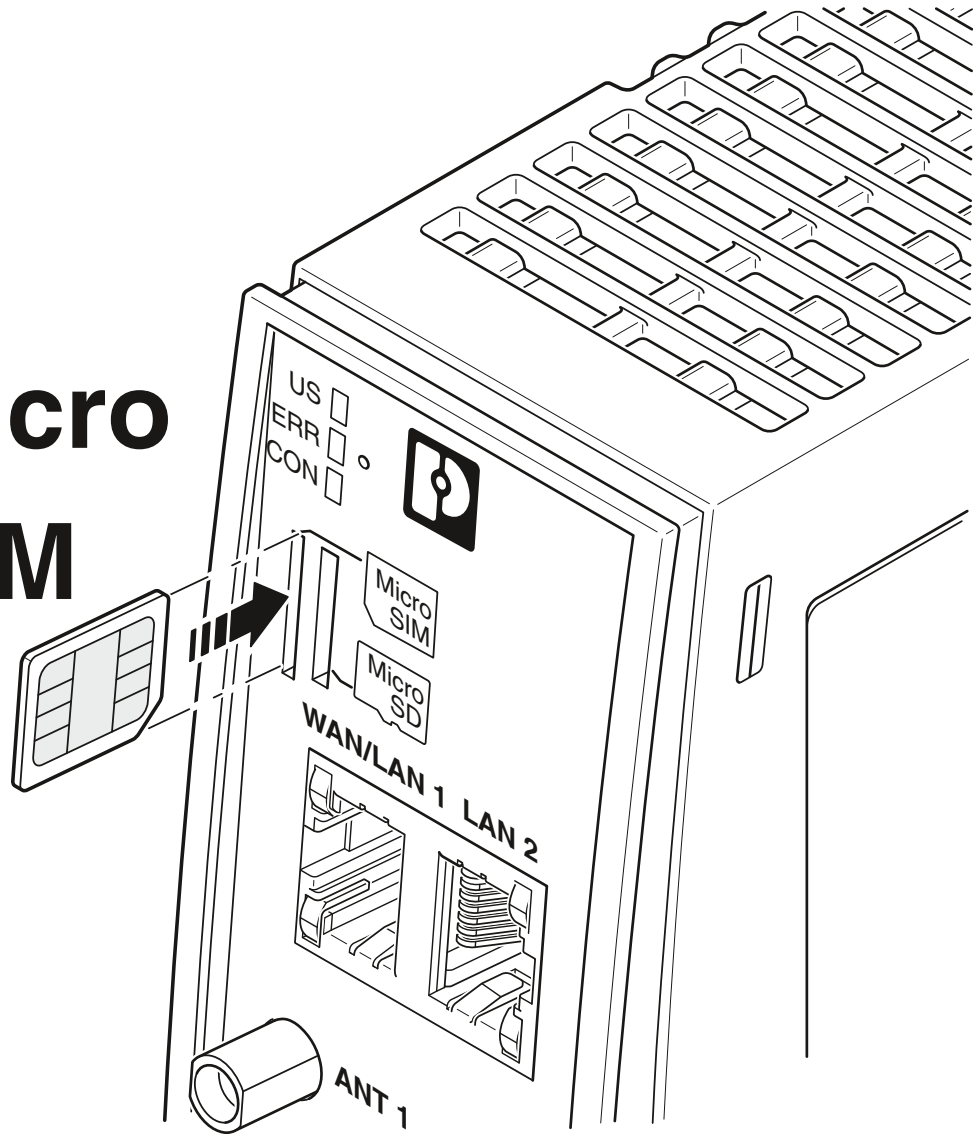
Mounting

Mounting type	DIN rail mounting
---------------	-------------------

Drawings

Schematic diagram

**Micro
SIM**

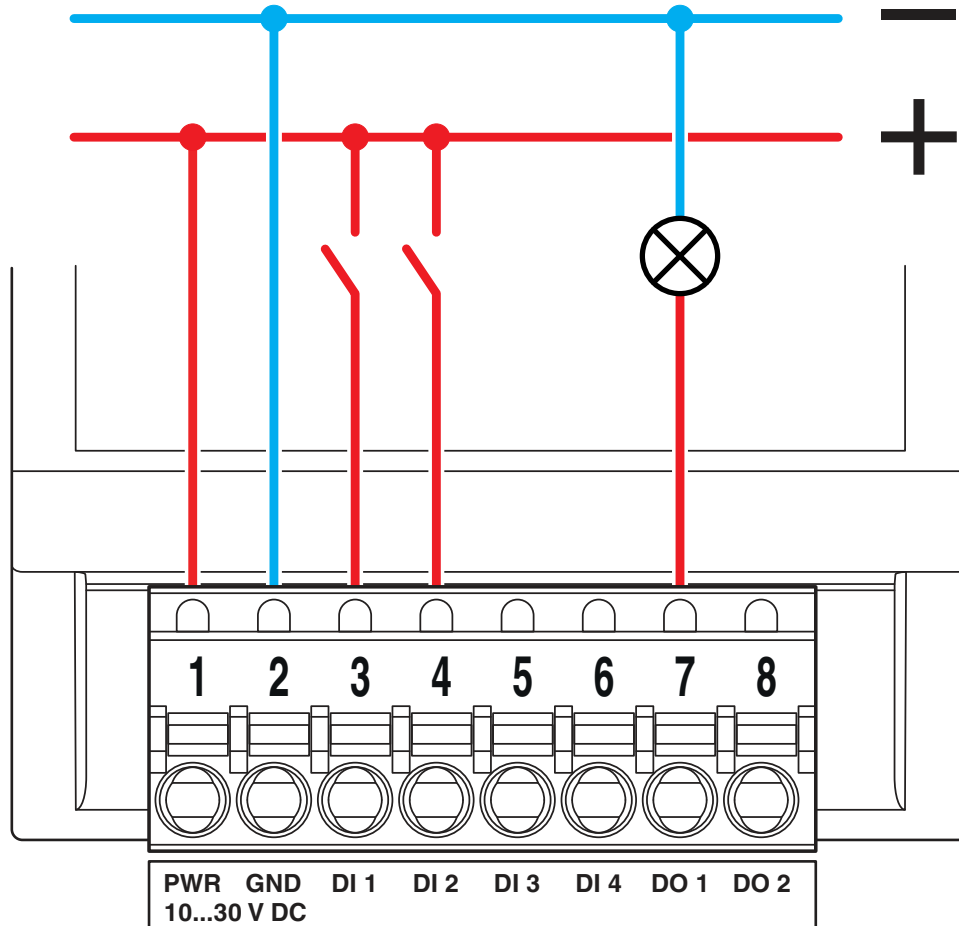


Insert SIM card

1234360

<https://www.phoenixcontact.com/us/products/1234360>

Connection diagram



Switching inputs and outputs

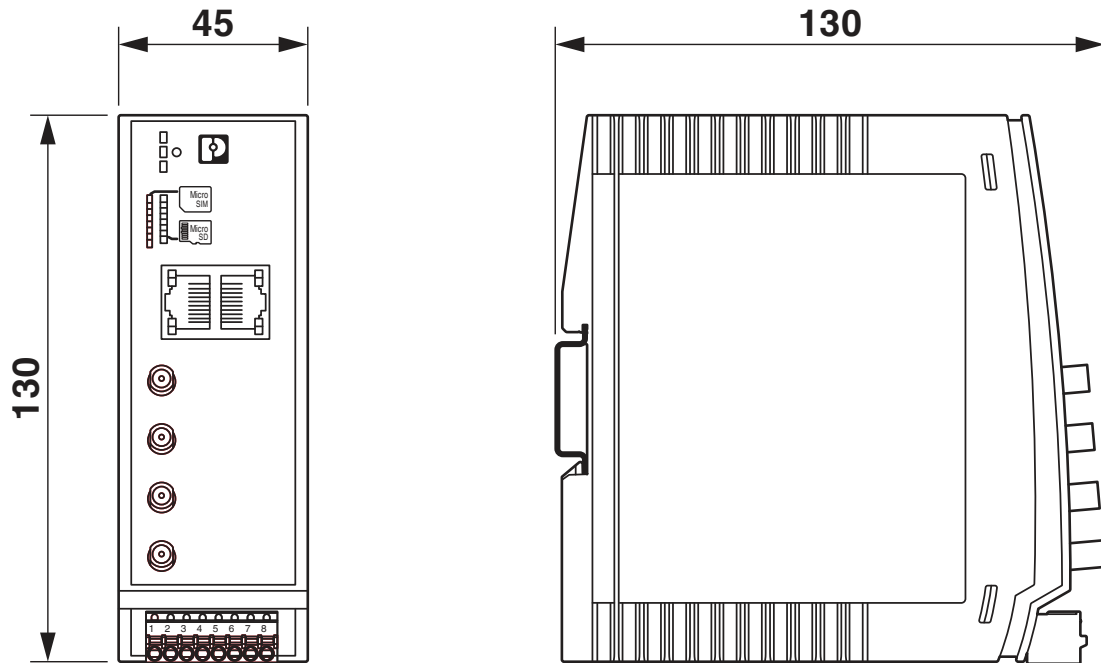
CLOUD CLIENT 2002T-WLAN - Router



1234360

<https://www.phoenixcontact.com/us/products/1234360>

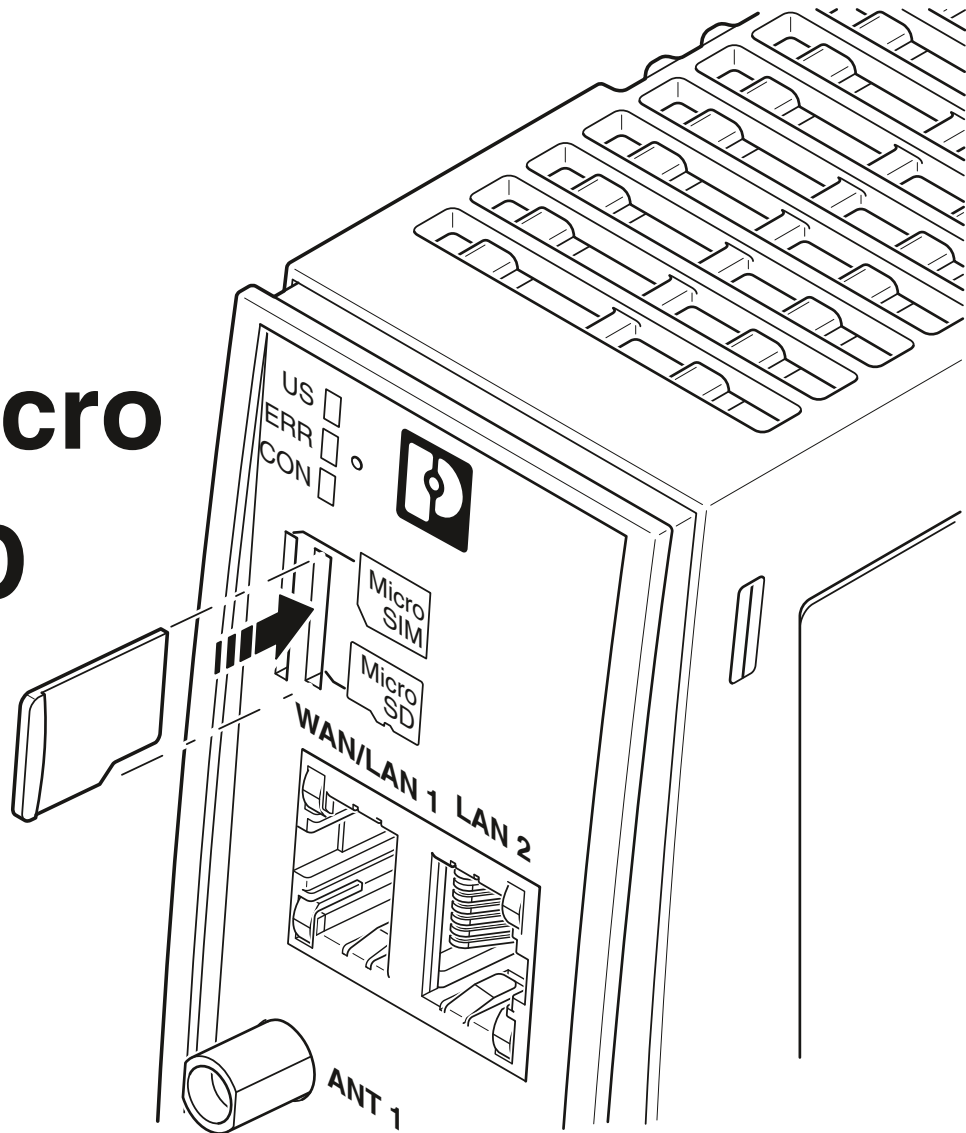
Dimensional drawing



Dimensions (product version with four antenna connections)

Schematic diagram

Micro SD



Insert SD card

CLOUD CLIENT 2002T-WLAN - Router



1234360

<https://www.phoenixcontact.com/us/products/1234360>

Classifications

ECLASS

ECLASS-11.0	19170502
ECLASS-12.0	19170502
ECLASS-13.0	19170502

ETIM

ETIM 8.0	EC001478
----------	----------

UNSPSC

UNSPSC 21.0	43222600
-------------	----------

CLOUD CLIENT 2002T-WLAN - Router



1234360

<https://www.phoenixcontact.com/us/products/1234360>

Environmental product compliance

China RoHS	Environmentally friendly use period: unlimited = EFUP-e
	No hazardous substances above threshold values

CLOUD CLIENT 2002T-WLAN - Router



1234360

<https://www.phoenixcontact.com/us/products/1234360>

Accessories

TRIO-PS-2G/1AC/24DC/3/C2LPS - Power supply unit

2903147

<https://www.phoenixcontact.com/us/products/2903147>

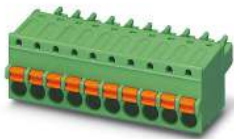


Primary-switched TRIO POWER power supply with push-in connection for DIN rail mounting, input: 1-phase, output: 24 V DC/3 A C2LPS

FK-MCP 1,5/ 8-ST-3,81 GY7035 - PCB connector

1713311

<https://www.phoenixcontact.com/us/products/1713311>



PCB connector, nominal cross section: 1.5 mm², color: light grey, nominal current: 8 A, rated voltage (III/2): 160 V, contact surface: Tin, contact connection type: Socket, number of potentials: 8, number of rows: 1, number of positions: 8, number of connections: 8, product range: FK-MCP 1,5/...-ST, pitch: 3.81 mm, connection method: Push-in spring connection, conductor/PCB connection direction: 0 °, plug-in system: COMBICON MC 1,5, locking: without, mounting: without, type of packaging: packed in cardboard

CLOUD CLIENT 2002T-WLAN - Router

1234360

<https://www.phoenixcontact.com/us/products/1234360>



MGUARD SECURE VPN CLIENT LIC - License

2702579

<https://www.phoenixcontact.com/us/products/2702579>



License for mGuard Secure VPN Client v11.x

TC ANT MOBILE WALL 5M - Antenna

2702273

<https://www.phoenixcontact.com/us/products/2702273>



Multiband omnidirectional antenna for wall or mast mounting, 0.6 GHz ... 6 GHz, gain: 3 dBi ... 7 dBi, degree of protection: IP66, connection: SMA (male), incl. 5 m connecting cable, mounting bracket, and mast clamps

CLOUD CLIENT 2002T-WLAN - Router



1234360

<https://www.phoenixcontact.com/us/products/1234360>

ANT-OMNI-0671-01 - Antenna

1396316

<https://www.phoenixcontact.com/us/products/1396316>



Multiband omnidirectional antenna for wall or mast mounting, 0.6 GHz ... 7.1 GHz, gain: 1 dBi ... 3 dBi, degree of protection: IP67, seawater-resistant, connection: N (female), incl. mounting bracket and mast clamps

ANT-OMNI-0671-02 - Antenna

1396318

<https://www.phoenixcontact.com/us/products/1396318>



Multiband omnidirectional antenna with protection against vandalism for control cabinet mounting, frequency band: 0.6 GHz ... 7.1 GHz, gain: 2 dBi ... 4 dBi, degree of protection: IP67, shockproof: IK10, seawater-resistant, connection: N (female)

CLOUD CLIENT 2002T-WLAN - Router

1234360

<https://www.phoenixcontact.com/us/products/1234360>

ANT-OMNI-0671-03 - Antenna

1565400

<https://www.phoenixcontact.com/us/products/1565400>



Multiband omnidirectional antenna for installation in plastic control cabinets not visible from the outside, frequency band: 0.6 GHz ... 7.1 GHz, gain: 1 dBi 2 dBi, connection: SMA (male), antenna connector with 90° articulated joint

ANT-OMNI-2459-02 - Antenna

2701408

<https://www.phoenixcontact.com/us/products/2701408>



Omnidirectional antenna for control cabinet mounting, frequency band: 2.4 GHz / 5 GHz, gain: 2.5 dBi / 5 dBi, degree of protection: IP68, connection: N (male)

CLOUD CLIENT 2002T-WLAN - Router



1234360

<https://www.phoenixcontact.com/us/products/1234360>

RAD-ISM-2459-ANT-FOOD-6-0-N - Antenna

2702898

<https://www.phoenixcontact.com/us/products/2702898>



Multiband omnidirectional antenna with protection against vandalism for control cabinet mounting, frequency band: 2.4 GHz / 5 GHz / 6 GHz, gain: 6 dBi / 8 dBi / 8 dBi, degree of protection: IP68, shockproof: IK08, resistant to cleaning agents, shock- and vibration-resistant, connection: N (female)

RAD-PIG-EF316-N-RSMA - Antenna cable

2701402

<https://www.phoenixcontact.com/us/products/2701402>



Antenna cable for control cabinet feed-through, outside diameter: 3.2 mm (0.126 in.), inner conductor: stranded, attenuation: 0.6 / 0.9 / 1.4 dB at 0.9 / 2.4 / 5.8 GHz, connection: N (female) -> RSMA (male), cable length: 0.5 m (1.6 ft.)

CLOUD CLIENT 2002T-WLAN - Router



1234360

<https://www.phoenixcontact.com/us/products/1234360>

RAD-PIG-RSMA/N-0.5 - Antenna cable

2903263

<https://www.phoenixcontact.com/us/products/2903263>



Antenna cable, outside diameter: 5 mm (0.2 in.), inner conductor: solid, attenuation: 0.4 / 0.5 / 0.6 dB at 0.9 / 2.4 / 5.8 GHz, connection: N (male) -> RSMA (male), cable length: 0.5 m (1.6 ft.)

RAD-PIG-RSMA/N-1 - Antenna cable

2903264

<https://www.phoenixcontact.com/us/products/2903264>



Antenna cable, outside diameter: 5 mm (0.2 in.), inner conductor: solid, attenuation: 0.5 / 0.8 / 1.1 dB at 0.9 / 2.4 / 5.8 GHz, connection: N (male) -> RSMA (male), cable length: 1 m (3.3 ft.)

CLOUD CLIENT 2002T-WLAN - Router



1234360

<https://www.phoenixcontact.com/us/products/1234360>

RAD-PIG-RSMA/N-2 - Antenna cable

2903265

<https://www.phoenixcontact.com/us/products/2903265>



Antenna cable, outside diameter: 5 mm (0.2 in.), inner conductor: solid, attenuation: 0.9 / 1.3 / 2.0 dB at 0.9 / 2.4 / 5.8 GHz, connection: N (male) -> RSMA (male), cable length: 2 m (6.5 ft.)

RAD-PIG-RSMA/N-3 - Antenna cable

2903266

<https://www.phoenixcontact.com/us/products/2903266>



Antenna cable, outside diameter: 5 mm (0.2 in.), inner conductor: solid, attenuation: 1.2 / 2.0 / 3.0 dB at 0.9 / 2.4 / 5.8 GHz, connection: N (male) -> RSMA (male), cable length: 3 m (10 ft.)

CLOUD CLIENT 2002T-WLAN - Router



1234360

<https://www.phoenixcontact.com/us/products/1234360>

RAD-PIG-RSMA/N-5 - Antenna cable

2702140

<https://www.phoenixcontact.com/us/products/2702140>



Antenna cable, outside diameter: 5 mm (0.2 in.), inner conductor: solid, attenuation: 2.0 / 3.3 / 4.8 dB at 0.9 / 2.4 / 5.8 GHz, connection: N (male) -> RSMA (male), cable length: 5 m (16 ft.)

RAD-CAB-EF393- 3M - Antenna cable

2867649

<https://www.phoenixcontact.com/us/products/2867649>



Antenna cable, outside diameter: 10 mm (0.4 in.), inner conductor: stranded, attenuation: 1.0 / 1.8 / 3.1 dB at 0.9 / 2.4 / 5.8 GHz, connection: 2 x N (male), cable length: 3 m (10 ft.)

CLOUD CLIENT 2002T-WLAN - Router



1234360

<https://www.phoenixcontact.com/us/products/1234360>

RAD-CAB-EF393- 5M - Antenna cable

2867652

<https://www.phoenixcontact.com/us/products/2867652>



Antenna cable, outside diameter: 10 mm (0.4 in.), inner conductor: stranded, attenuation: 1.6 / 2.9 / 5.0 dB at 0.9 / 2.4 / 5.8 GHz, connection: 2 x N (male), cable length: 5 m (16 ft.)

RAD-CAB-EF393-10M - Antenna cable

2867665

<https://www.phoenixcontact.com/us/products/2867665>



Antenna cable, outside diameter: 10 mm (0.4 in.), inner conductor: stranded, attenuation: 2.9 / 5.6 / 9.9 dB at 0.9 / 2.4 / 5.8 GHz, connection: 2 x N (male), cable length: 10 m (32 ft.)

CLOUD CLIENT 2002T-WLAN - Router



1234360

<https://www.phoenixcontact.com/us/products/1234360>

RAD-CAB-EF393-15M - Antenna cable

2885634

<https://www.phoenixcontact.com/us/products/2885634>

Antenna cable, outside diameter: 10 mm (0.4 in.), inner conductor: stranded, attenuation: 4.3 / 8.3 / 14.8 dB at 0.9 / 2.4 / 5.8 GHz, connection: 2 x N (male), cable length: 15 m (50 ft.)



CN-UB-70DC-6-BB - Surge protection device

2803166

<https://www.phoenixcontact.com/us/products/2803166>

Attachment plug with surge protection for coaxial signal interfaces. Connection: N connector, female/female



CLOUD CLIENT 2002T-WLAN - Router

1234360

<https://www.phoenixcontact.com/us/products/1234360>



RAD-ADP-N/F-N/F - Adapter

2867843

<https://www.phoenixcontact.com/us/products/2867843>

Antenna adapter for control cabinet feed-through, frequency range: 0.3 GHz ...
6 GHz, degree of protection: IP65, connection: 2 x N (female)



RAD-TAPE-SV-19-3 - Weather protection tape

2903182

<https://www.phoenixcontact.com/us/products/2903182>

Vulcanizing sealing tape for external protection of adapters, cable connections,
etc. against the effects of weather, roll length: 3 m



Phoenix Contact 2023 © - all rights reserved
<https://www.phoenixcontact.com>

Phoenix Contact USA
586 Fulling Mill Road
Middletown, PA 17057, United States
(+717) 944-1300
info@phoenixcon.com