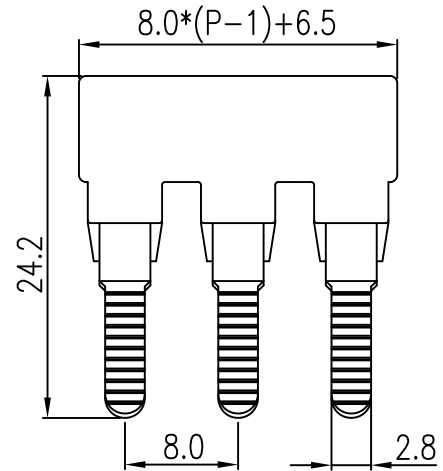
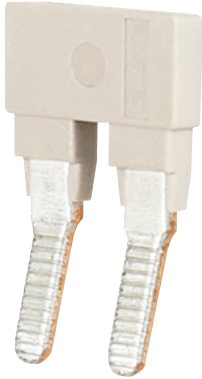


# CSC-6XXPN



DIN Rail Terminal Blocks > Accessories > Insertion Bridge



## Specification

Product description	Insertion Bridge
Color	Beige
Housing material	PA
Inflammability class	UL94-V0
Terminal material	Copper Alloy
Surface Plating	Tin plated
Position	02~10P
Compatible products	DK6N, DK6N-TN, DK4N-TF(5X20), DK4N-TFL(5X20), DKK4N-TF(5X20), DKK4N-TFLXX(5X20)
Package	02~04P : 100 pcs / box , 05~10P : 50 pcs / box