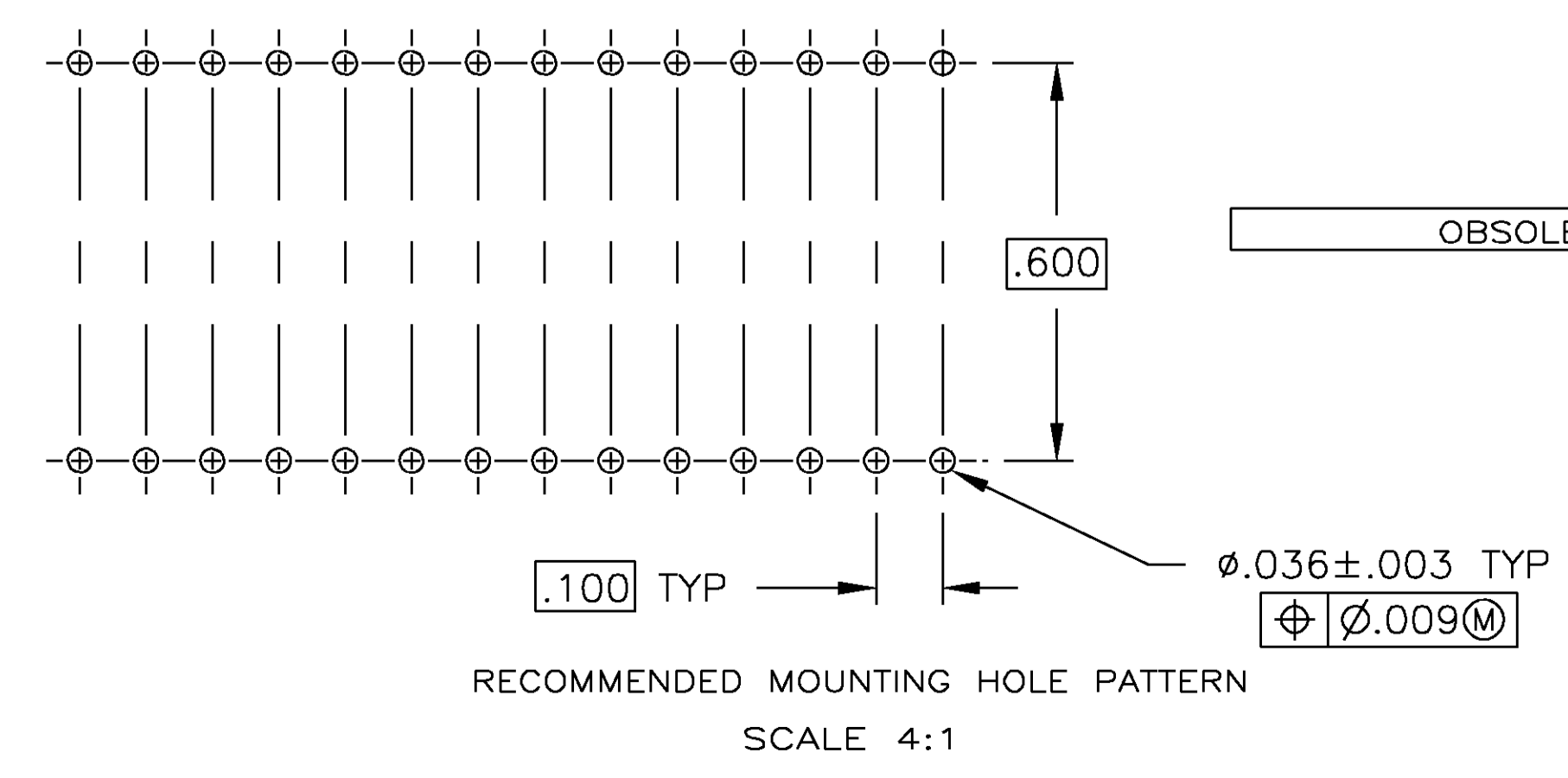
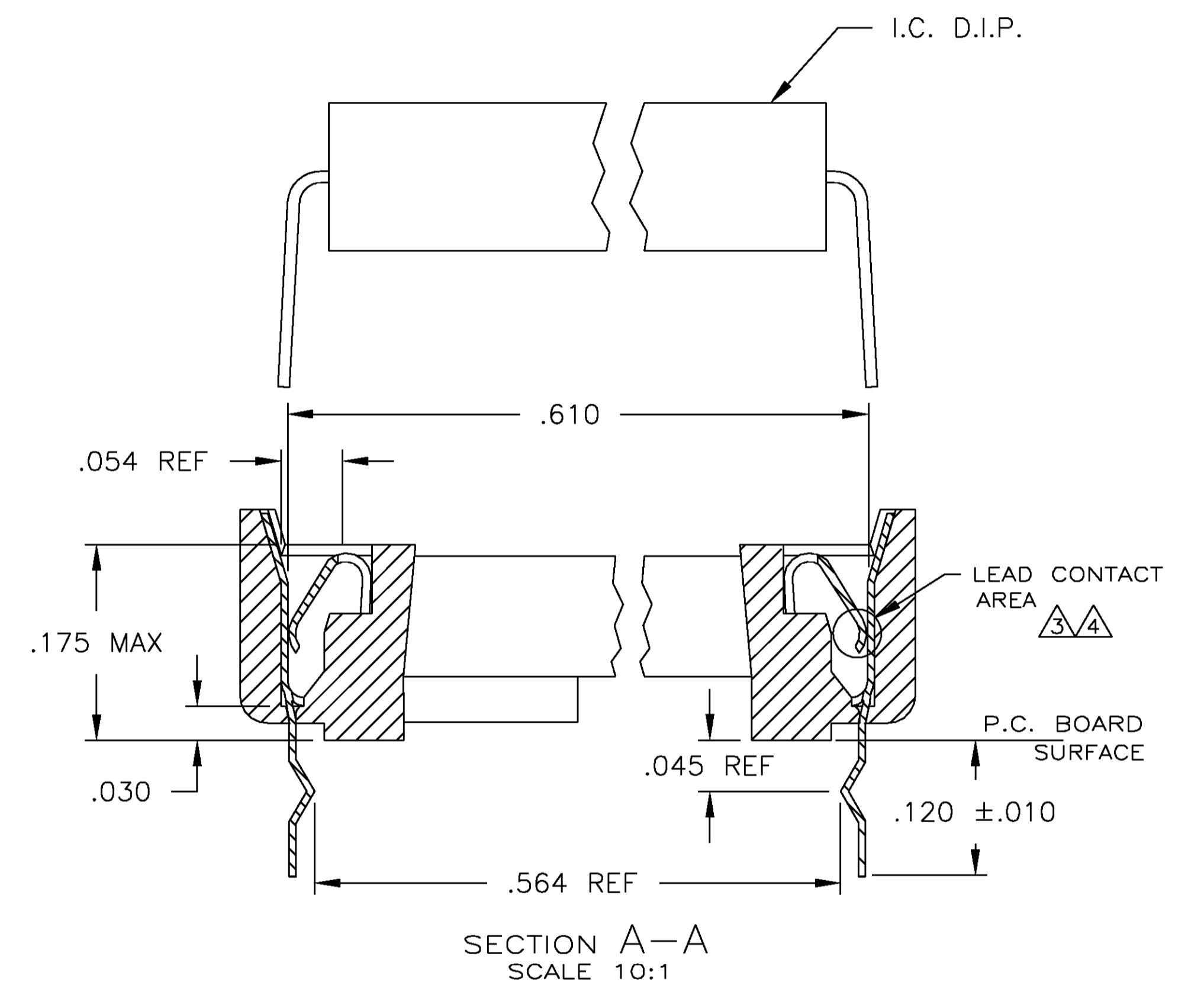
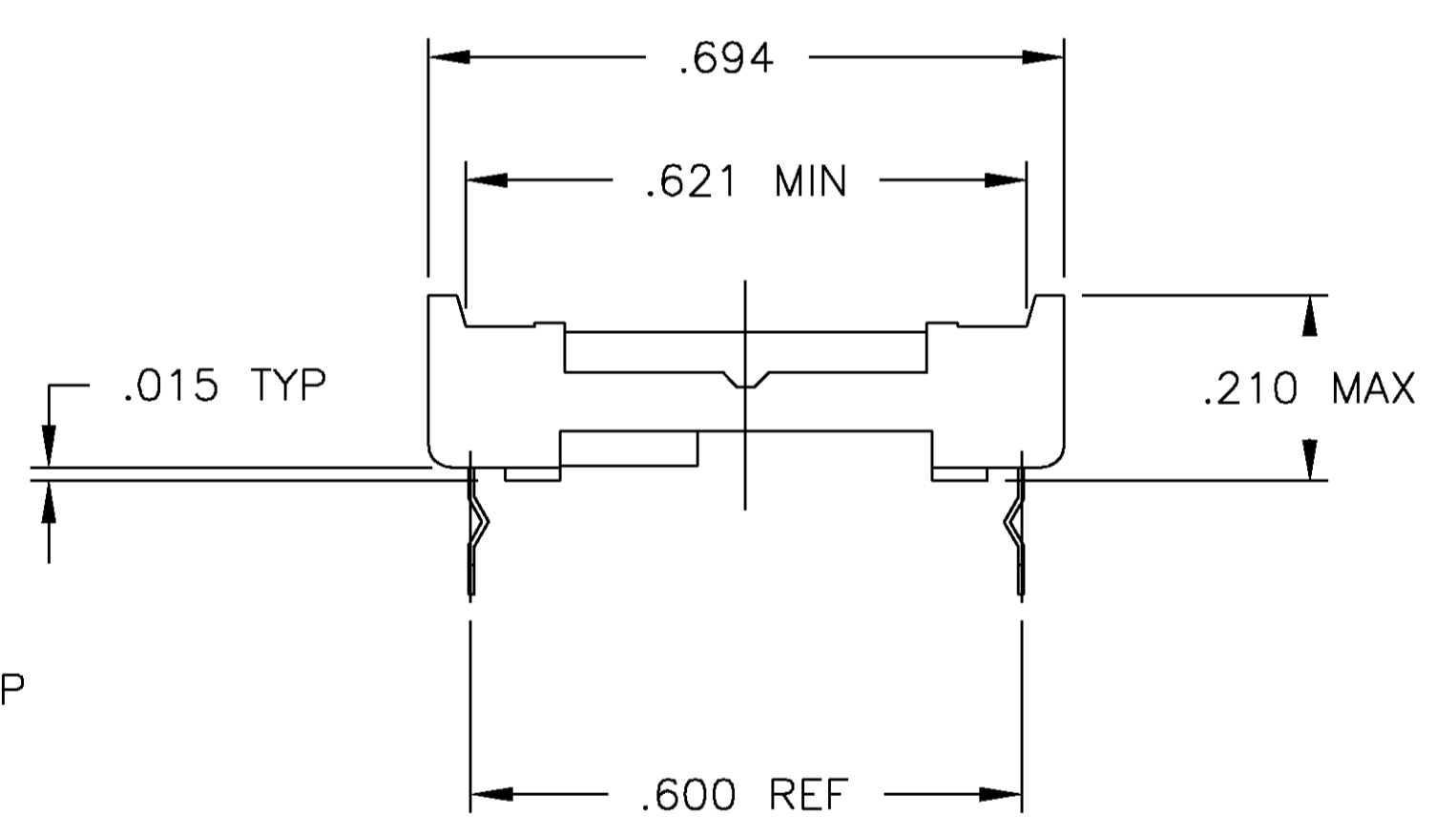
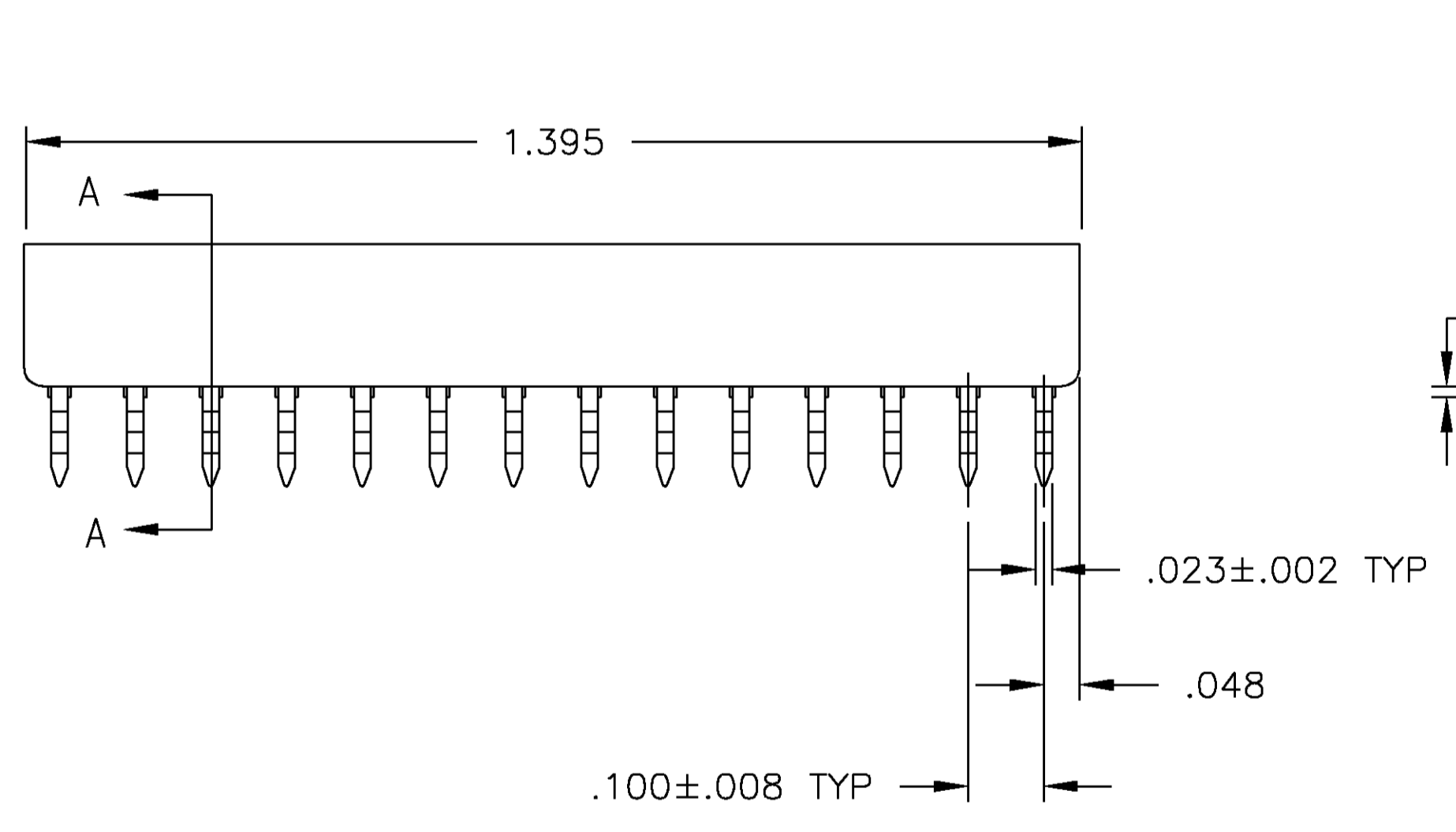
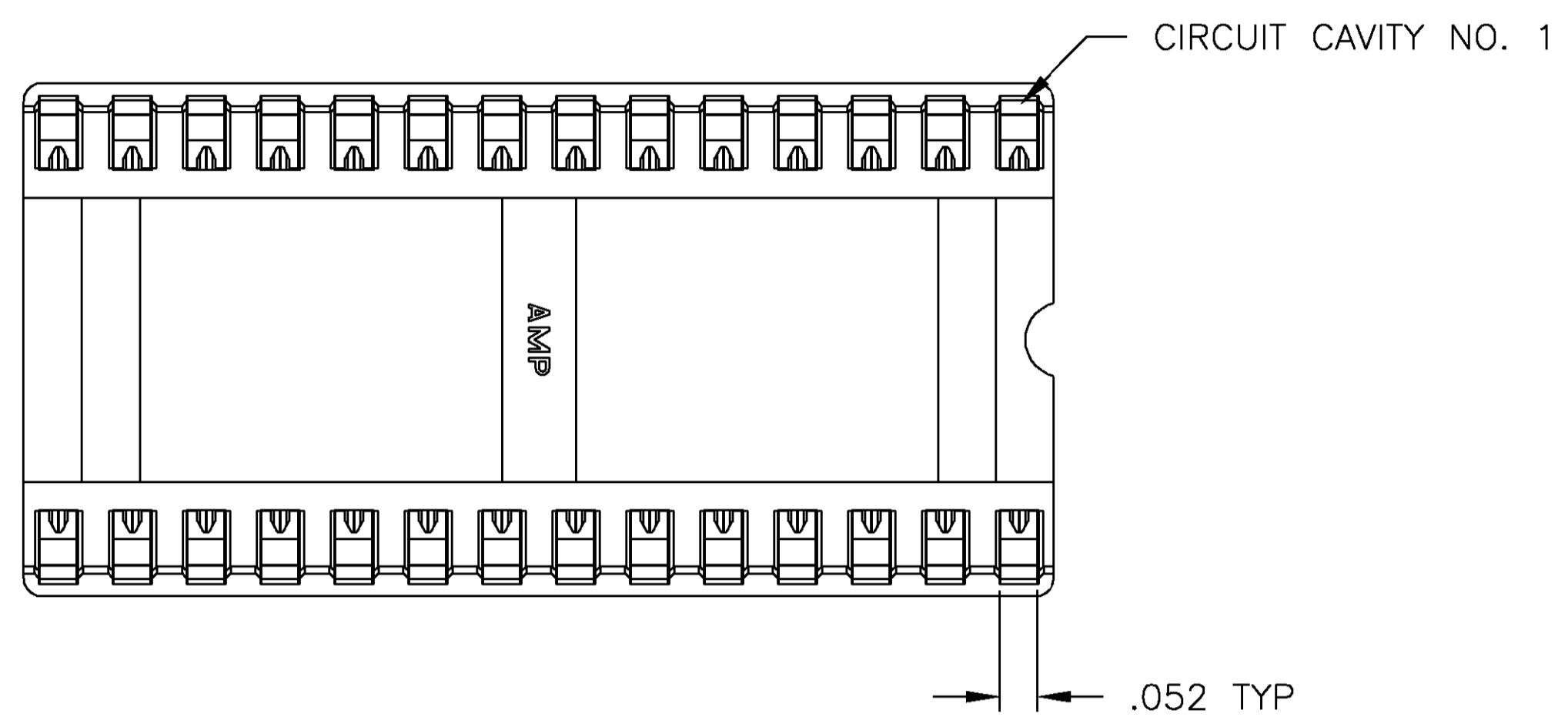


- RECEPTACLE ACCEPTS A .008-.014 THICK I.C. LEAD.
 - TUBE LOADED.
- ⚠ TWO .000030 MIN THK. GOLD STRIPES IN CONTACT AREA WITH TIN-LEAD (93/7) ON CONTACT LEGS, BALANCE OF CONTACT NICKEL PLATED.
 - ⚠ TWO .000015 MIN THK. GOLD STRIPES IN CONTACT AREA WITH TIN-LEAD (93/7) ON CONTACT LEGS, BALANCE OF CONTACT NICKEL PLATED.



OBSOLETE	TINNED	PHOS.BRZ. .006 THK	GLASS-FILLED THERMOPLASTIC, 94V-O, BLACK	2-641615-5
	⚠	PHOS.BRZ. .006 THK	GLASS-FILLED THERMOPLASTIC, 94V-O, BLACK	2-641615-4
	TINNED	PHOS.BRZ. .006 THK	GLASS-FILLED THERMOPLASTIC, 94V-O, BLACK	2-641615-3
	⚠	BE.CU. .006 THK	GLASS-FILLED THERMOPLASTIC, 94V-O, BLACK	2-641615-2
	TINNED	BE.CU. .006 THK	GLASS-FILLED THERMOPLASTIC, 94V-O, BLACK	2-641615-1
CONTACT FINISH	CONTACT MAT'L	HOUSING MATERIAL		PART NO.
THIS DRAWING IS A CONTROLLED DOCUMENT.				
DIMENSIONS: INCHES		TOLERANCES UNLESS OTHERWISE SPECIFIED:		APVD
0 PLC ± -		1 PLC ± .005		NAME
1 PLC ± .005		2 PLC ± .005		SOCKET ASSY, DIP, LADDER, RET LEG,
2 PLC ± .005		3 PLC ± .005		28 POS, DIPLOMATE™ DL
3 PLC ± .005		4 PLC ± .005		APPLICATION SPEC
4 PLC ± .005		ANGLES ± α-30°		SIZE
MATERIAL SEE TABLE		FINISH SEE TABLE		114-1049
				WEIGHT
				100779
				SCALE
				5:1
				SHEET
				1 OF 1
				REV
				Y