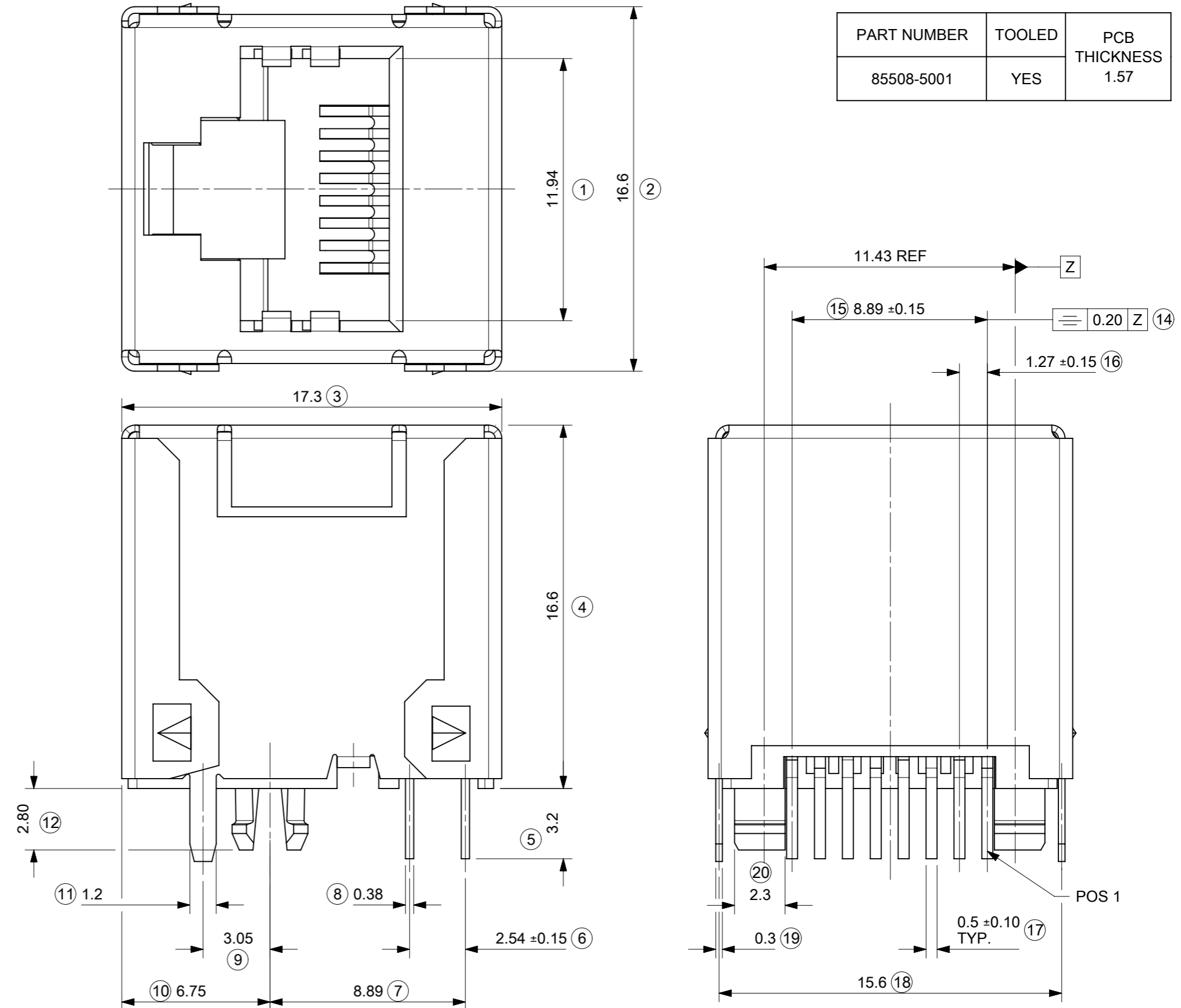
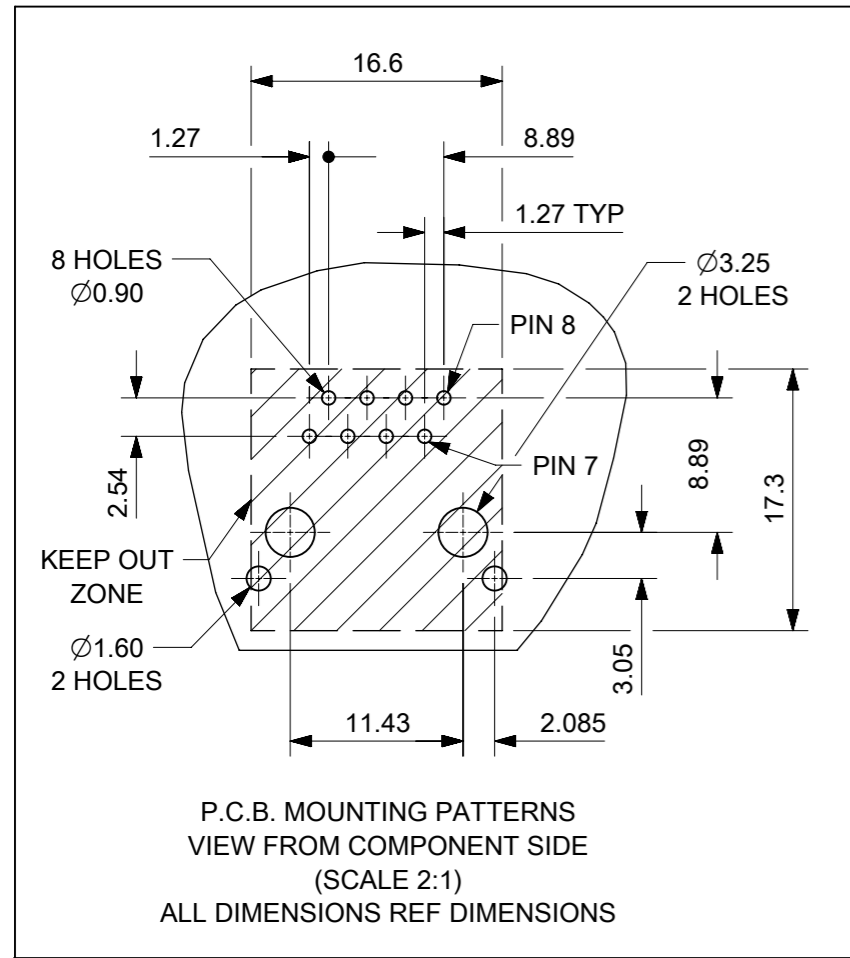


TECHNICAL SPECIFICATIONS:

1. MATERIAL:

HOUSING: LCP G.F. UL 94-V0 COLOUR: BLACK
 TERMINAL: PHOSPHOR BRONZE PLATED WITH
 BASE FINISH: NICKEL
 CONTACT SURFACE FINISH:
 GOLD
 OR
 GOLD FLASH OVER PALLADIUM NICKEL.
 EXCEEDS PRODUCT REQUIREMENTS BASED ON PS-85508-001
 SHIELD: BRASS PLATED WITH TIN



PART NUMBER	TOOLED	PCB THICKNESS
85508-5001	YES	1.57

NOTES:

- JACK FOR MATING WITH F.C.C. 68PLUGS (95043 MOLEX SERIES).
- PRODUCT SPECIFICATION: MOLEX PS-85508-001
- APPLICATION SPECIFICATION: AS-85513-001
- PACKAGING SPECIFICATION: MOLEX PK-95123.
- EXCEEDS CATEGORY 5E PERFORMANCE.

LAST INSPECTION NO.: 20
 REMOVED INSPECTION NO: 13

THIS DRAWING CONTAINS INFORMATION THAT IS PROPRIETARY TO MOLEX ELECTRONIC TECHNOLOGIES, LLC AND SHOULD NOT BE USED WITHOUT WRITTEN PERMISSION		CURRENT REV DESC: REMASTERED USING 3D MODELS		molex	
DIMENSION UNITS	SCALE	EC NO: 686834			
mm	5:1	DRWN: CRAODOREMS 2018/02/09		PRODUCT CUSTOMER DRAWING	
GENERAL TOLERANCES (UNLESS SPECIFIED)		CHK'D: KLANG 2022/01/18		DOCUMENT NUMBER	
ANGULAR TOL ± 2.0°		APPR: KLANG 2022/01/18		SD-85508-501	
4 PLACES ±	INITIAL REVISION:		DOC TYPE		DOC PART
3 PLACES ±	DRWN: DBYRNES 2006/11/28		PSD		001
2 PLACES ± 0.25	APPR: FSMITH 2010/04/09		REVISION		J1
1 PLACE ± 0.35	DRAFT WHERE APPLICABLE MUST REMAIN WITHIN DIMENSIONS		MATERIAL NUMBER		CUSTOMER
0 PLACES ±	THIRD ANGLE PROJECTION	DRAWING	SERIES	SEE CHART	GENERAL MARKET
A3-SIZE		85508	SHEET NUMBER		1 OF 1