

1-1924067-6 ✓ ACTIVE

MCON Interconnection System

TE Internal #: 1-1924067-6

Housing for Female Terminals, Wire-to-Wire / Wire-to-Device / Wire-to-Board, 2 Position, .157 in [4 mm] Centerline, MCON Interconnection System

[View on TE.com >](#)



Connectors > Automotive Connectors > Automotive Housings



Connector & Housing Type: **Housing for Female Terminals**

Mating Tab Width: **1.2 mm [.047 in]**

Connector System: **Wire-to-Board, Wire-to-Device, Wire-to-Wire**

Number of Positions: **2**

Centerline (Pitch): **4 mm [.157 in]**

Features

Product Type Features

Connector Shape	Rectangular
Connector & Housing Type	Housing for Female Terminals
Connector System	Wire-to-Board, Wire-to-Device, Wire-to-Wire
Sealable	Yes
Hybrid Connector	No
Primary Locking Feature	Integrated in Housing

Configuration Features

Number of Positions	2
Number of Rows	1

Body Features

Primary Product Color	Black
Connector & Keying Code	C

Contact Features

Contact Size	1.2mm
Contact Type	Receptacle
Mating Tab Width	1.2 mm[.047 in]

Mechanical Attachment



Terminal Position Assurance	Yes
Strain Relief	Without
Mating Alignment Type	Keyed
Mating Alignment	With
Connector Mounting Type	Cable Mount (Free-Hanging)

Housing Features

Housing Material	PA GF
Centerline (Pitch)	4 mm [.157 in]

Dimensions

Connector Height	15.8 mm [.622 in]
Product Width	26.5 mm [1.043 in]
Product Length	15 mm [.591 in]

Usage Conditions

Operating Temperature (Max)	70 °C, 75 °C, 80 °C, 85 °C, 90 °C, 100 °C, 105 °C, 110 °C, 120 °C, 125 °C [158 °F][167 °F][176 °F][185 °F][194 °F][212 °F][221 °F][230 °F][248 °F][257 °F]
Operating Temperature Range	-40 – 125 °C [-40 – 257 °F]

Operation/Application

Circuit Application	Signal
---------------------	--------

Industry Standards

Degree of Protection	IP67
----------------------	------

Other

Serviceable	Yes
Connector Position Assurance Capable	Yes

Product Compliance

[For compliance documentation, visit the product page on TE.com>](#)

EU RoHS Directive 2011/65/EU	Compliant
EU ELV Directive 2000/53/EC	Compliant
China RoHS 2 Directive MIIT Order No 32, 2016	No Restricted Materials Above Threshold
EU REACH Regulation (EC) No. 1907/2006	Current ECHA Candidate List: JUNE 2023 (235)



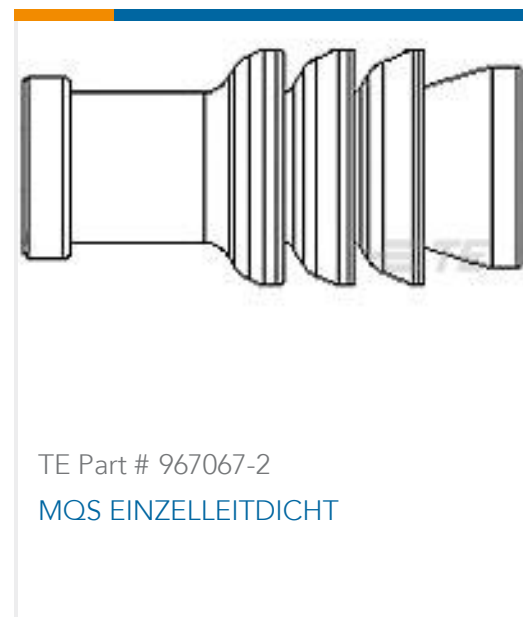
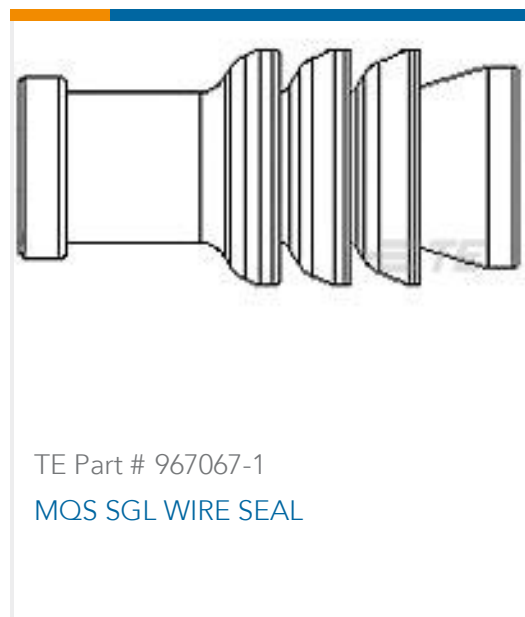
Candidate List Declared Against: JUNE 2023 (235)
Does not contain REACH SVHC

Halogen Content	Low Halogen - Br, Cl, F, I < 900 ppm per homogenous material. Also BFR/CFR/PVC Free
Solder Process Capability	Not applicable for solder process capability

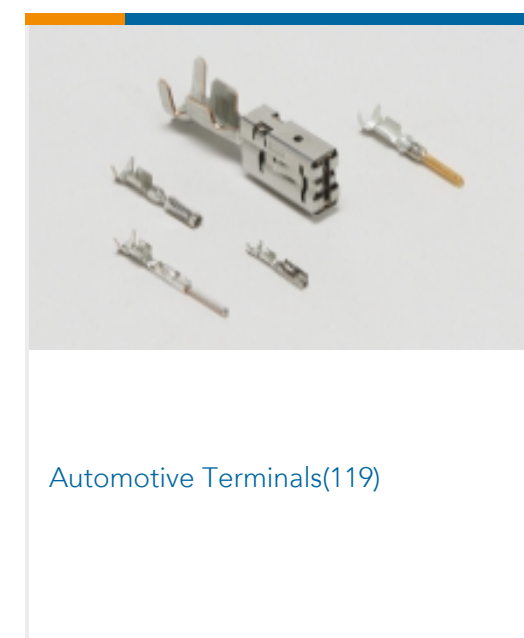
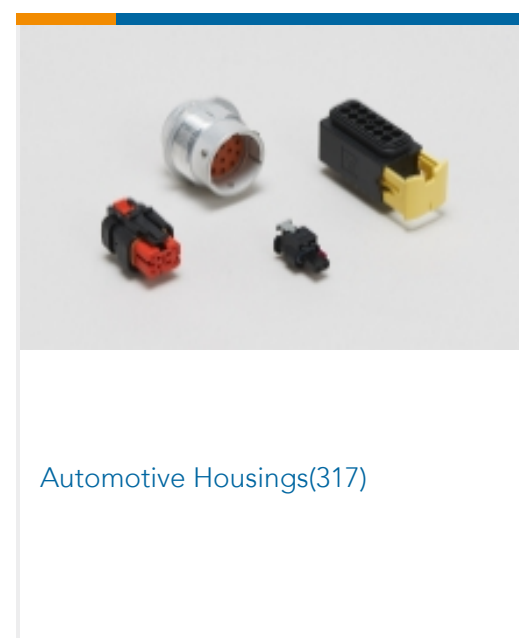
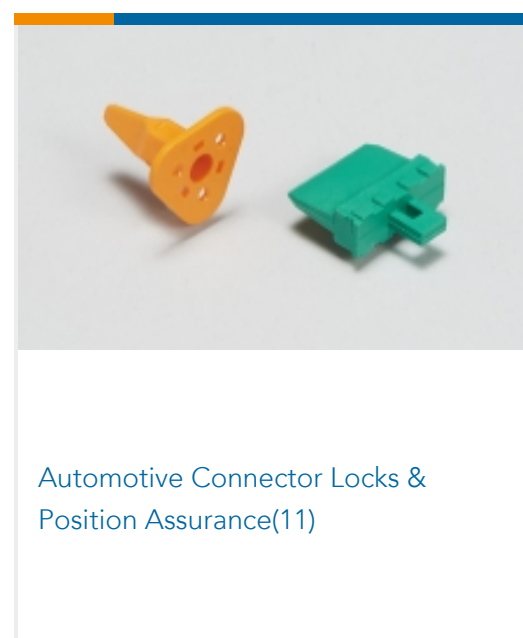
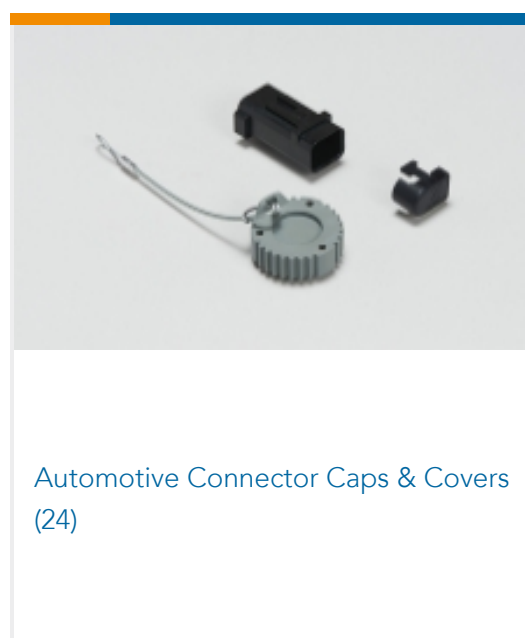
Product Compliance Disclaimer

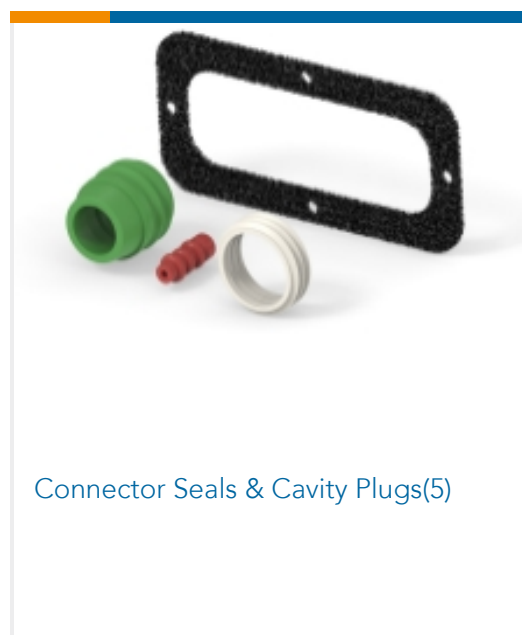
This information is provided based on reasonable inquiry of our suppliers and represents our current actual knowledge based on the information they provided. This information is subject to change. The part numbers that TE has identified as EU RoHS compliant have a maximum concentration of 0.1% by weight in homogenous materials for lead, hexavalent chromium, mercury, PBB, PBDE, DBP, BBP, DEHP, DIBP, and 0.01% for cadmium, or qualify for an exemption to these limits as defined in the Annexes of Directive 2011/65/EU (RoHS2). Finished electrical and electronic equipment products will be CE marked as required by Directive 2011/65/EU. Components may not be CE marked. Additionally, the part numbers that TE has identified as EU ELV compliant have a maximum concentration of 0.1% by weight in homogenous materials for lead, hexavalent chromium, and mercury, and 0.01% for cadmium, or qualify for an exemption to these limits as defined in the Annexes of Directive 2000/53/EC (ELV). Regarding the REACH Regulation, the information TE provides on SVHC in articles for this part number is based on the latest European Chemicals Agency (ECHA) 'Guidance on requirements for substances in articles' posted at this URL: <https://echa.europa.eu/guidance-documents/guidance-on-reach>

Compatible Parts

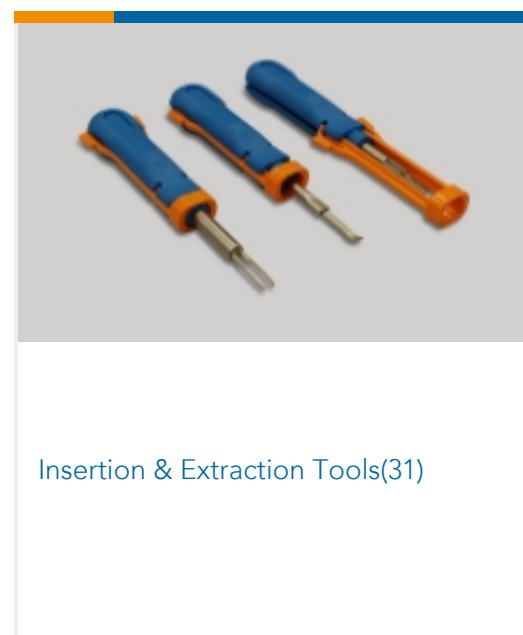


Also in the Series | MCON Interconnection System

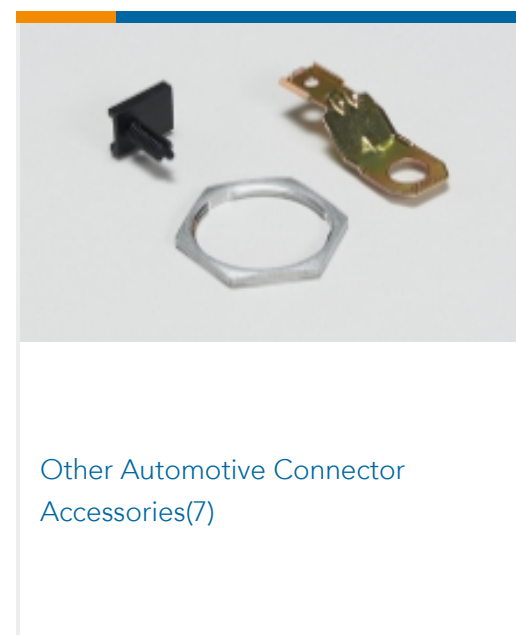




Connector Seals & Cavity Plugs(5)



Insertion & Extraction Tools(31)



Other Automotive Connector Accessories(7)



PCB Headers & Receptacles(1)

Customers Also Bought

TE Part #1-1419168-1
MARKET 1X6 FEMALE SEALEDTE Part #1823467-2
6POS,AMP MCP1.5K,REC HSG,CODBTE Part #1379218-2
COVER FOR 5W MPQ+MQS HSGTE Part #1-1924067-5
2POS, MCON 1.2 CB REC 2p TL SEALEDTE Part #1-1924067-3
2POS, MCON 1.2 CB REC 2p TL SEALEDTE Part #638551-2
CONTACT,FEMALE,0.64MM,SN,22TE Part #1801606-1
TAB HOUSING, MCON, 10 W, SEALEDTE Part #2-142183-1
MIC RECEP MKITE Part #2141902-8
MT2 A REC 1.6 Contact SWS AgTE Part #2289050-1
1 POS. PLUG ASSY, KEY A, HIGH TEMP 150C

Documents

Product Drawings

[2POS, MCON 1.2 CB REC 2p TL SEALED](#)

English

CAD Files

Customer View Model

[ENG_CVM_CVM_1-1924067-6_C.2d_dxf.zip](#)

English

[3D PDF](#)



3D

Customer View Model

[ENG_CVM_CVM_1-1924067-6_C.3d_igs.zip](#)

English

Customer View Model

[ENG_CVM_CVM_1-1924067-6_C.3d_stp.zip](#)

English

By downloading the CAD file I accept and agree to the [Terms and Conditions](#) of use.

Datasheets & Catalog Pages

[MCON Interconnection System](#)

English

Instruction Sheets

[Instruction Sheet \(U.S.\)](#)

English

[Instruction Sheet \(U.S.\)](#)

English