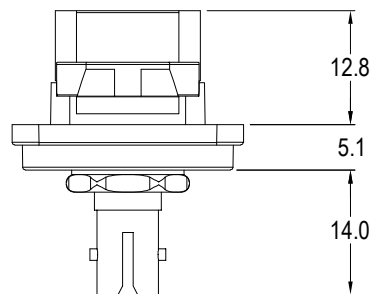
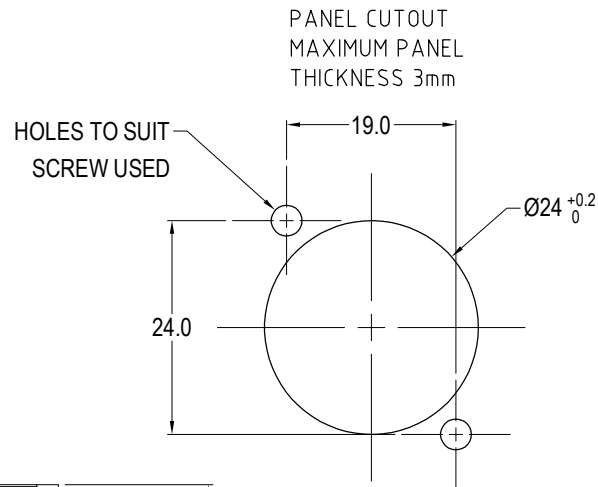


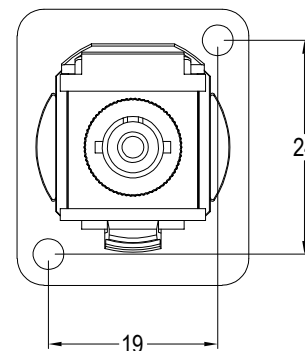
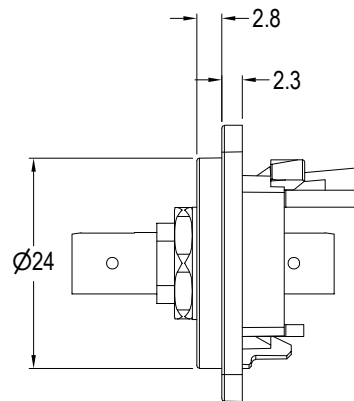
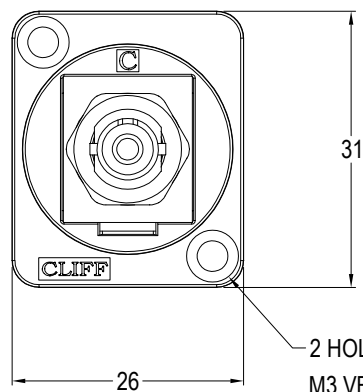
ISS.	AMEND	DATE
1	ISSUED	11/05/18
2	ST REVERSED	27/09/22



**Material:**

1. Insert: ABS UL94 HB
2. Frame: Nickel plated zinc diecast
3. ST Contacts: Nickel Plated

VARIANTS	
PART NO.	HOLE DETAILS
CP30218M	HOLE $\varnothing 3.50$ X CSK $82^\circ$ X $\varnothing 5.85$
CP30218M3	M3 HOLES



**RoHS**  
COMPLIANT

**TOLERANCE**  
NO DEC. PLACE  $\pm$   
1 DEC. PLACE  $\pm$   
2 DEC. PLACE  $\pm$   
HOLE  $\varnothing$   $\pm$   
ANGLES  $\pm$   
UNLESS  
OTHERWISE STATED

DO NOT SCALE

**Cliff Electronic Components Ltd.**

76 Holmethorpe Avenue, Holmethorpe Industrial Estate,  
Redhill, Surrey, RH1 2PF, England, UK  
Tel: 01737-771375 Fax: 01737-766012 Website: www.cliffuk.co.uk

THE CONTENTS OF THIS DOCUMENT MUST NOT BE COPIED OR DISCLOSED  
TO A 3rd PARTY WITHOUT WRITTEN PERMISSION OF CLIFF UK. © 2018

DIMENSIONS IN MILLIMETERS UNLESS OTHERWISE STATED. WORK TO DIMENSIONS. REMOVE ALL BURRS. IF IN DOUBT ASK.

MATERIAL: See Notes

FINISH: See Notes

DRAWN: T.J.O.

APPROVED: D.P.J.

3rd ANGLE PROJECTION:

TITLE: METAL FEED THROUGH ST FIBRE

DRWG. No. CP30218M

FORM: A4DRWGH