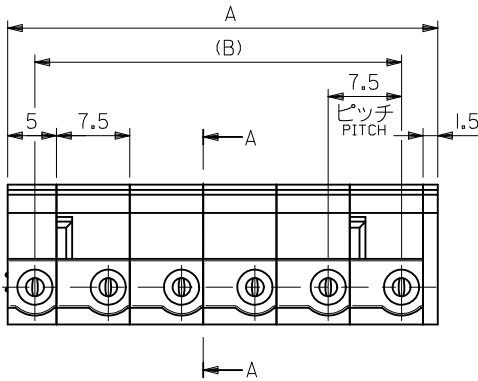
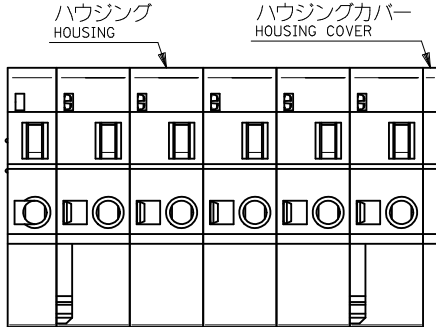


TRADEMARK LOCATION ON SIDE  
MXJ = JAPAN  
MDG = DONGGUAN



TOLERANCES:  
10 UNDER ±0.2  
10 OVER 30 UNDER ±0.25  
30 OVER ±0.3

注記 NOTES:

- 材質 MATERIAL  
 ハウジング, ハウジングカバー  
 HOUSING, HOUSING COVER  
 ガラス無しポリブチレンテレフタレート, UL94V-0  
 POLYBUTYLENE TELEPHTHALATE, GLASS NON FILLED, UL94V-0  
 色: 表参照  
 COLOR: REFER TO THE CHART  
 ターミナル  
 TERMINAL  
 銅合金  
 COPPER ALLOY  
 スプリング  
 SPRING  
 ステンレス  
 STAINLESS STEEL
- メッキ仕様 PLATING  
 錫メッキ: 1.0µm MIN.  
 TIN PLATING: 1.0 MICROMETER MINIMUM  
 ニッケルメッキ: 1.0µm MIN. (下地メッキ)  
 NICKEL PLATING: 1.0 MICROMETER MINIMUM (UNDER PLATING)
- 適用電線範囲: AWG#14 ~ #26  
 APPLICABLE WIRE: AWG#14 ~ #26

- 被覆外径: φ3.8 MAX.  
 INS. DIA.: φ3.8 MAX.
- 適合レバー: 54932 シリーズ  
 APPLIED LEVER: 54932 SERIES

8. 本製品は 54928-\*\*\*1\* の鉛フリー品である。  
 THIS PRODUCT IS LEAD FREE OF 54928-\*\*\*1\*.

製品番号 MATERIAL NO.  
54928-\*\*\*7\*

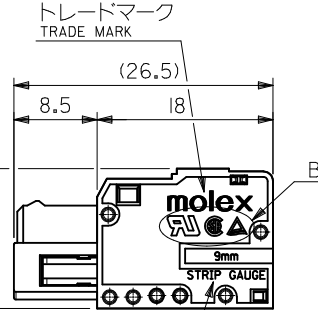
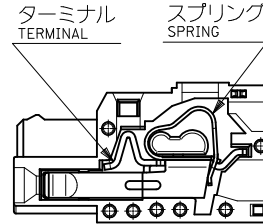
極数 CIRCUIT SIZE

アイボリー IVORY	0	色 COLOR
黒 BLACK	1	
灰 GRAY	5	

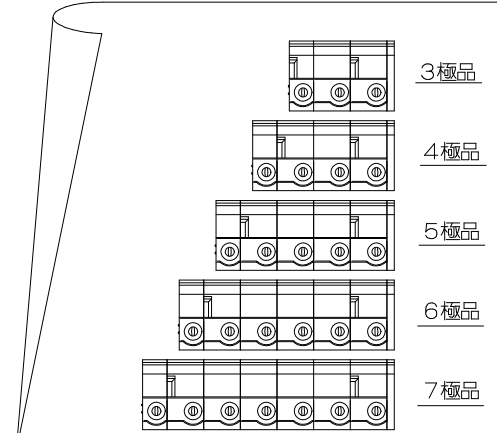
- 被覆剥き長さ: 8 ~ 9mm  
 INSULATION STRIPPING LENGTH: 8 ~ 9mm



詳細 B  
DETAIL B  
(SCALE 4:1)



ストリップゲージ  
STRIP GAUGE

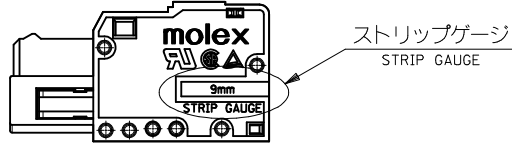


45	51.5	54928-077*	7
37.5	44	54928-067*	6
30	36.5	54928-057*	5
22.5	29	54928-047*	4
15	21.5	54928-037*	3
B	A	製品番号 MATERIAL NO.	極数 CIRCUITS

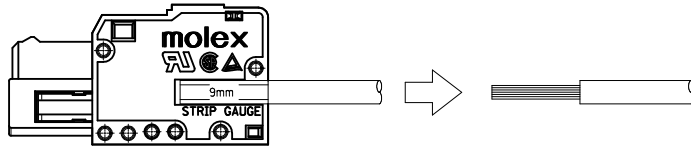
ADD TRADEMARK LOC. EC NO: IPG2012-0215 DRAWN: BRUPERT 2012/02/10 CHKD: JFMURPHY APPR: JFMURPHY 2012/02/13 REV A	QUALITY SYMBOLS ▽=0 ▽=0	GENERAL TOLERANCES (UNLESS SPECIFIED) mm INCH 4 PLACES ±--- ±--- 3 PLACES ±--- ±--- 2 PLACES ±--- ±--- 1 PLACE ±--- ±--- ANGULAR ±.5°	DIMENSION STYLE MM ONLY DRAWN BY: BRUPERT DATE: 2012/02/10 CHECKED BY: DATE:	SCALE: 1:1 DESIGN UNITS: METRIC THIRD ANGLE PROJECTION
	DRAFT WHERE APPLICABLE MUST REMAIN WITHIN DIMENSIONS	APPROVED BY: JFMURPHY DATE: 2012/02/13 MATERIAL NO.	TITLE: MYC 7.5MM PITCH RC. HS'G ASS'Y -LEAD FREE- MOLEX INCORPORATED	SHEET NO. 1 OF 2
	SEE CHART	DOCUMENT NO. SD-54928-004	THIS DRAWING CONTAINS INFORMATION THAT IS PROPRIETARY TO MOLEX INCORPORATED AND SHOULD NOT BE USED WITHOUT WRITTEN PERMISSION	
	SIZE B			

**ストリップゲージの使用方法**  
USE OF STRIP GAUGE

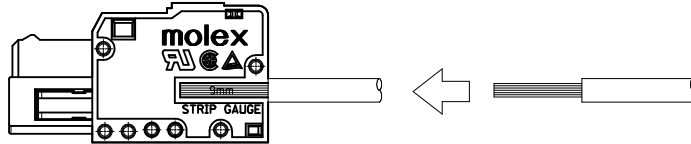
ハウジングカバーに付いているストリップゲージは、以下のようにご使用下さい。  
PLEASE USE THE STRIP GAUGE WHICH HAS ADHERED TO THE HOUSING COVER AS SHOWN IN THE FIGURE BELOW.



1. 電線をストリップゲージに合わせて被覆を剥く。  
THE ELECTRIC WIRE IS MATCHED TO THE STRIP GAUGE, AND STRIPPING INSULATION.

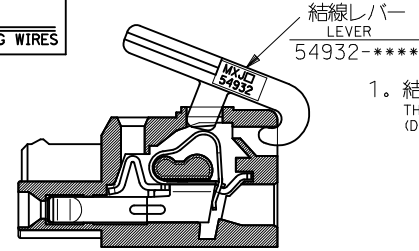


2. 既に被覆を剥いた電線をストリップゲージに合わせて被覆剥き長さを確認する。  
THE ELECTRIC WIRE WHICH HAS ALREADY PEELLED OFF INSULATION IS MATCHED TO THE STRIP GAUGE, AND THE STRIPPING LENGTH IS CONFIRMED.

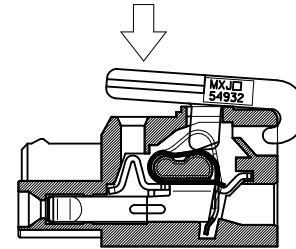


※ 被覆剥き長さ：8～9mm  
STRIPPING LENGTH : 8~9mm

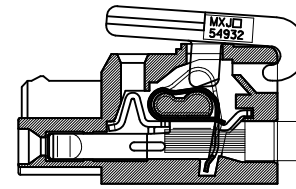
**結線方法**  
METHOD OF CONNECTING WIRES



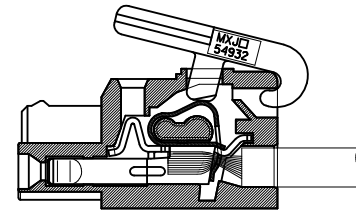
1. 結線レバーをハウジングに装着する。(脱着自在)  
THE LEVER OF CONNECTING WIRES IS INSTALLED IN THE HOUSING. (DETACHING IS FREE)



2. 結線レバーを矢印方向に押す。  
THE LEVER OF CONNECTING WIRES IS PUSHED IN THE DIRECTION OF THE ARROW.



3. 結線レバーを押しのまま電線を矢印方向に挿入する。  
THE ELECTRIC WIRE IS INSERTED IN THE DIRECTION OF THE ARROW WITH THE LEVER OF CONNECTING WIRES PUSHED.

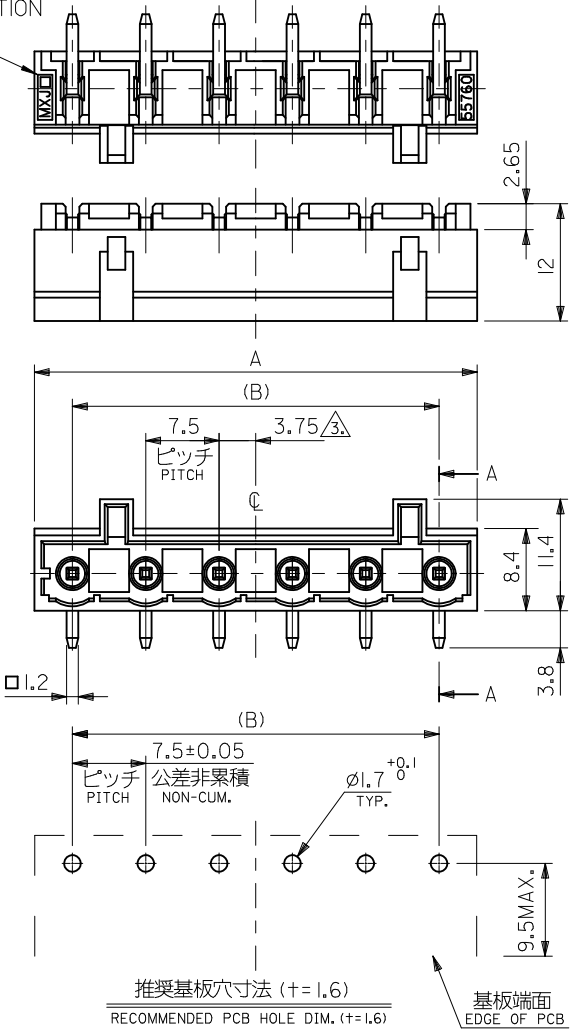


4. 結線レバーを放す。  
THE LEVER OF CONNECTING WIRES IS RELEASED.

SEE SHEET 1 EC NO: IPG2012-0215 DRW: BRUPERT 2012/02/10 CHKD: JFMURPHY APPR: JFMURPHY 2012/02/13 REV A	QUALITY SYMBOLS	GENERAL TOLERANCES (UNLESS SPECIFIED)	DIMENSION STYLE	SCALE	DESIGN UNITS	THIRD ANGLE PROJECTION	
	$\nabla=0$ $\nabla=0$	mm INCH 4 PLACES ± --- ± --- 3 PLACES ± --- ± --- 2 PLACES ± --- ± --- 1 PLACE ± --- ± --- ANGULAR ± .5 °	MM ONLY	1:1	METRIC		
			DRAWN BY DATE BRUPERT 2012/02/10	TITLE	MYC 7.5MM PITCH RC. HS'G ASS'Y -LEAD FREE- MOLEX INCORPORATED		
			CHECKED BY DATE				
		APPROVED BY DATE JFMURPHY 2012/02/13	MATERIAL NO.	DOCUMENT NO.	SHEET NO.		
		DRAFT WHERE APPLICABLE MUST REMAIN WITHIN DIMENSIONS	SEE CHART	SD-54928-004		2 OF 2	
THIS DRAWING CONTAINS INFORMATION THAT IS PROPRIETARY TO MOLEX INCORPORATED AND SHOULD NOT BE USED WITHOUT WRITTEN PERMISSION							

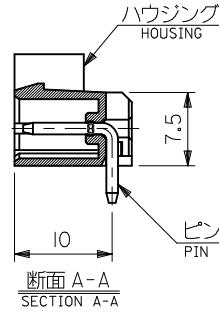
TRADE MARK LOCATION  
 MJX = JAPAN  
 MDG = DONGGUAN

(A)



注記 NOTES:

- 材質 MATERIAL  
 ・ハウジング HOUSING  
 ガラス入り66ナイロン, UL94V-0  
 66 NYLON, GLASS FILLED, UL94V-0  
 色:表参照 COLOR: REFER TO THE CHART  
 ・ピン PIN  
 銅合金 COPPER ALLOY
- メッキ仕様 PLATING  
 錫メッキ: 1.0 μm MIN.  
 TIN PLATING: 1.0 MICROMETER MIN.  
 ニッケルメッキ: 1.0 μm MIN. (下地メッキ)  
 NICKEL PLATING: 1.0 MICROMETER MIN. (UNDER PLATING)
- 偶数極品に適用 APPLIED EVEN CIRCUITS PRODUCTS.



4. 適用リセプタクル APPLIED RECEPTACLE  
 54928 SERIES

製品番号 MATERIAL NO. 55759-\*\*\*7\*

極数 CIRCUIT SIZE	色 COLOR
アイボリー IVORY	0
黒 BLACK	1
灰 GRAY	5

6. 本製品は 55759-\*\*\* の鉛フリー品である。  
 THIS PRODUCT IS LEAD FREE OF 55759-\*\*\*.

	3極品
	4極品
	5極品
	6極品
	7極品

45	52.8	55759-077*	7
37.5	45.3	55759-067*	6
30	37.8	55759-057*	5
22.5	30.3	55759-047*	4
15	22.8	55759-037*	3
B	A	製品番号 MATERIAL NO.	極数 CIRCUITS

TOLERANCES:  
 10 UNDER ±0.2  
 10 OVER 30 UNDER ±0.25  
 30 OVER ±0.3

ADD TRADE MARK LOC. EC NO: IFC2012-0215 DRW: BRUPERT 2012/02/09 CHKD: JFMURPHY APPR: JFMURPHY 2012/02/13 REV A	QUALITY SYMBOLS ▽=0 ▽=0	GENERAL TOLERANCES (UNLESS SPECIFIED) mm INCH 4 PLACES ± --- ± --- 3 PLACES ± --- ± --- 2 PLACES ± --- ± --- 1 PLACE ± --- ± --- ANGULAR ± .5 °	DIMENSION STYLE MM ONLY DRAWN BY DATE BRUPERT 2012/02/09 CHECKED BY DATE	SCALE 1:1 DESIGN UNITS METRIC THIRD ANGLE PROJECTION
	DRAFT WHERE APPLICABLE MUST REMAIN WITHIN DIMENSIONS		APPROVED BY DATE JFMURPHY 2012/02/13 MATERIAL NO.	TITLE MTC 7.5MM PITCH HEADER HS'G ASS'Y -LEAD FREE- MOLEX INCORPORATED
	SEE CHART		DOCUMENT NO. SD-55759-004	SHEET NO. 1 OF 1
	THIS DRAWING CONTAINS INFORMATION THAT IS PROPRIETARY TO MOLEX INCORPORATED AND SHOULD NOT BE USED WITHOUT WRITTEN PERMISSION			