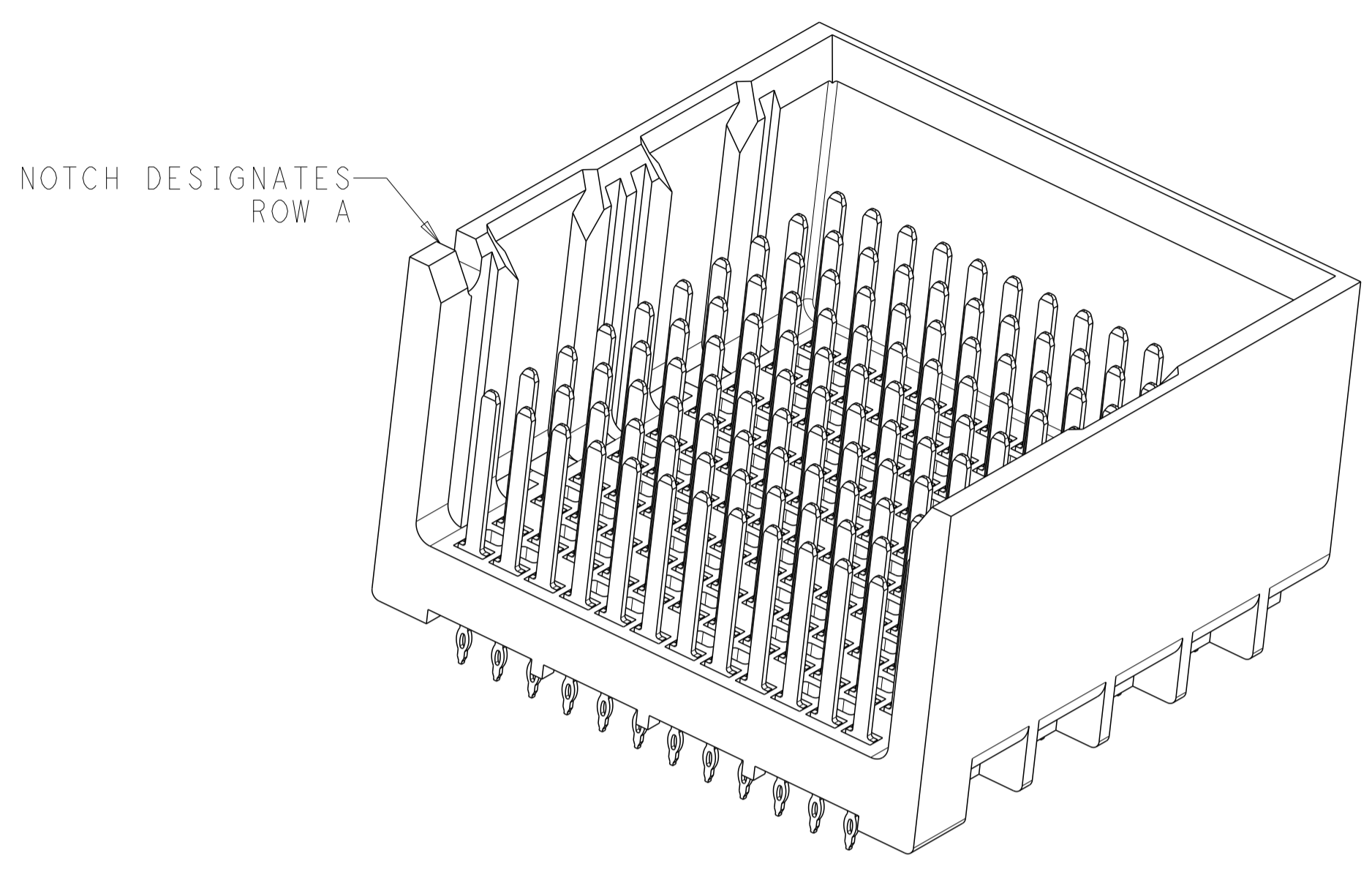
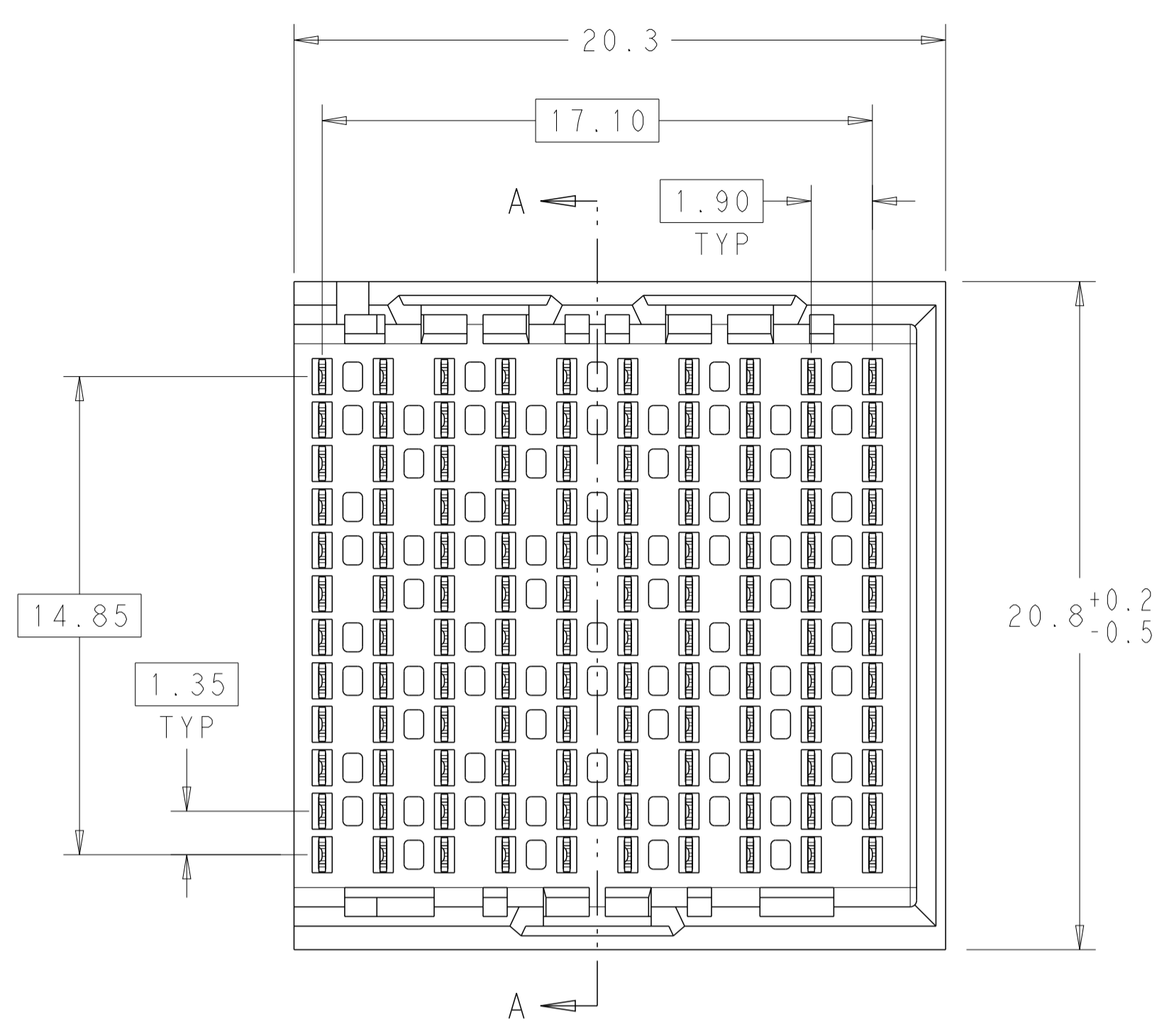
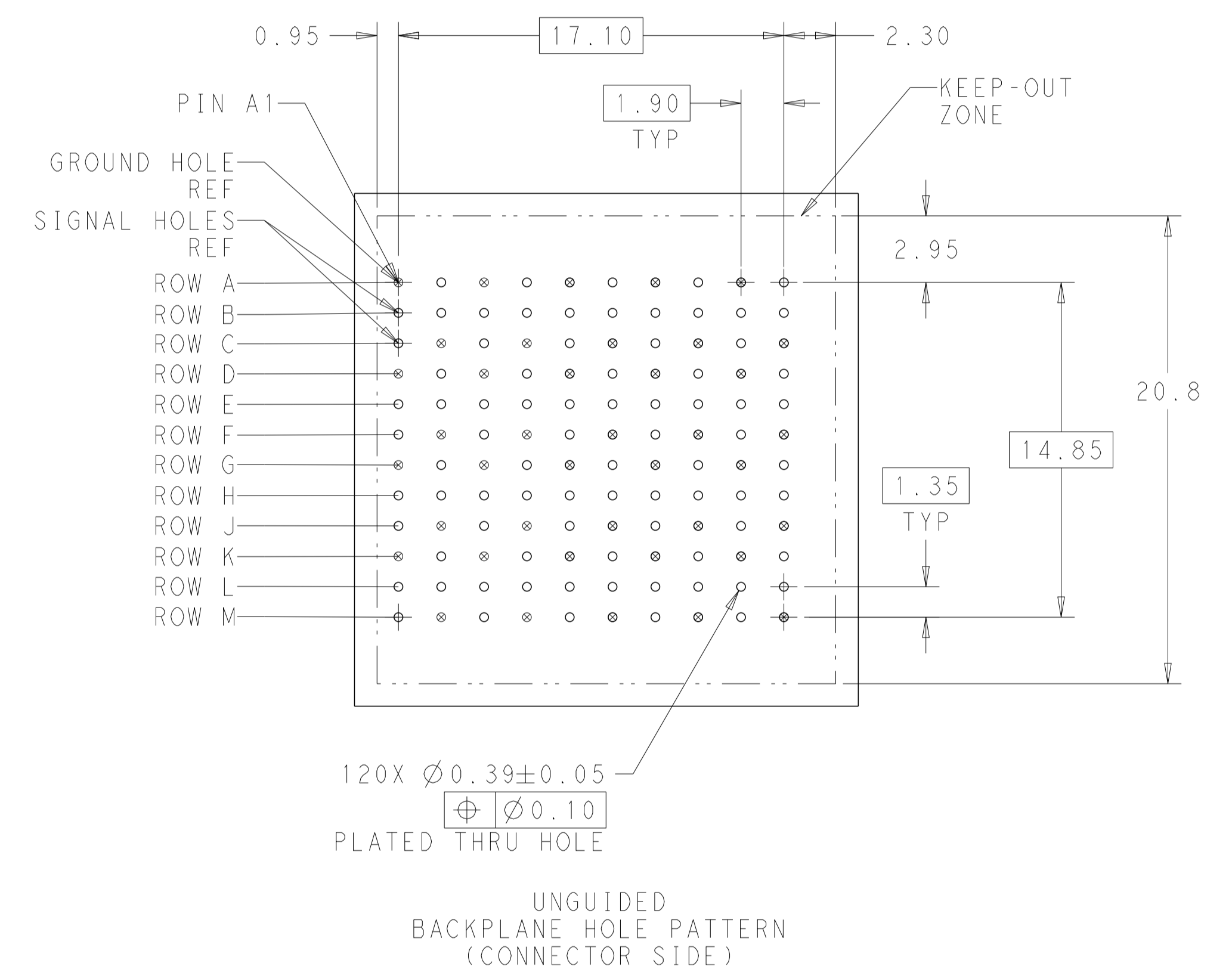
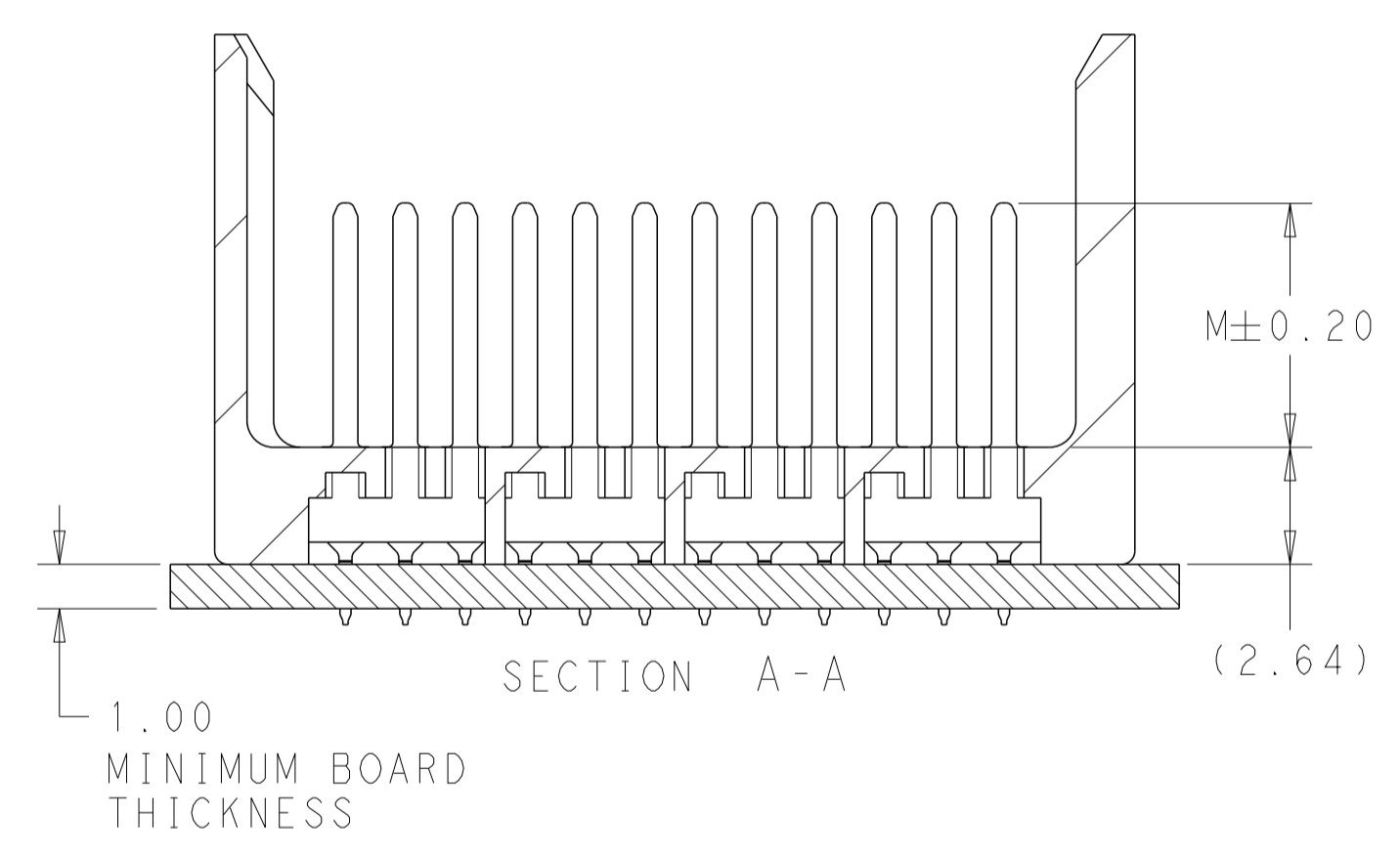
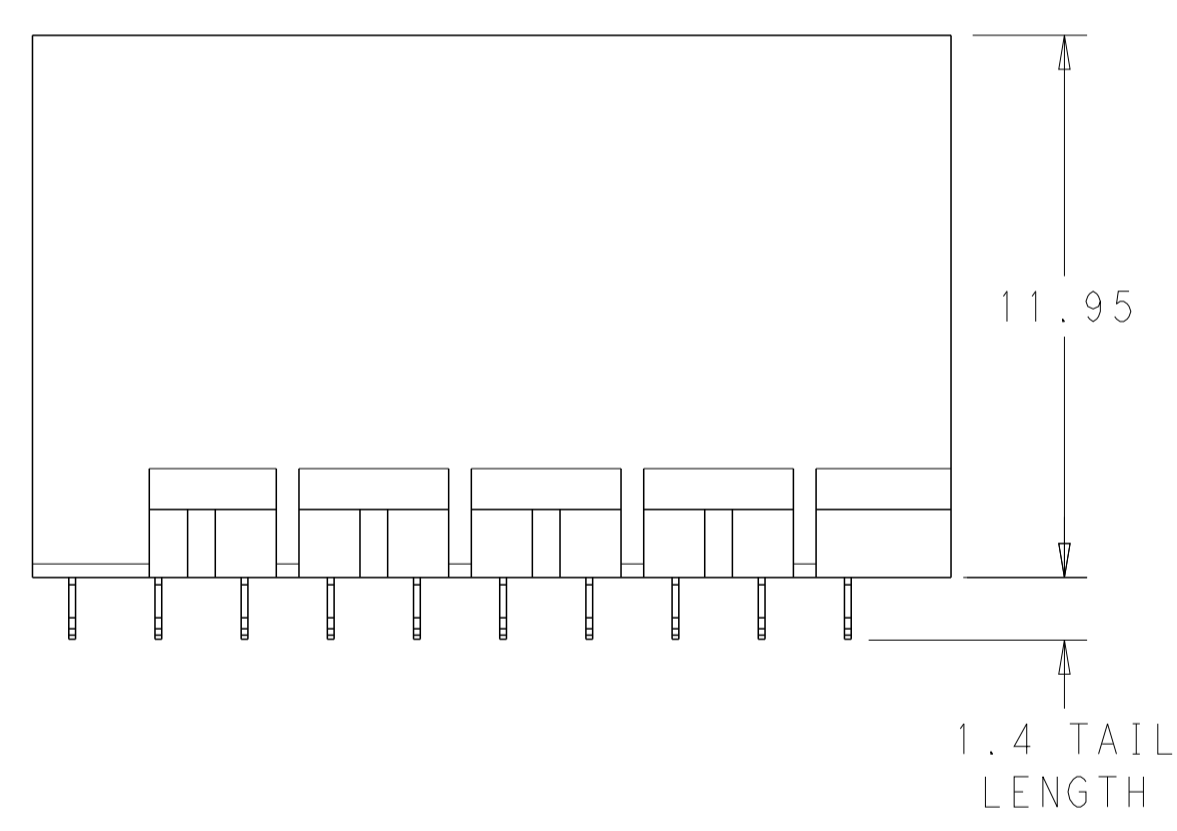


LOC		DIST		REVISIONS			
AD	00	P	LTN	DESCRIPTION	DATE	DWN	APVD
		B3		REVISED PER ECN-22-135126	07FEB2022	A.S	H.L



- 1 MATERIAL:  
HOUSING: LCP, GLASS FILLED, UL94V-0.  
TERMINALS: HIGH PERFORMANCE COPPER ALLOY.
- 2 FINISH:  
30μ" MIN GOLD IN CONTACT AREA. SELECTIVE TIN ON PCB TAILS, NICKEL OVERALL.
- 3 FINISH:  
30μ" MIN GOLD IN CONTACT AREA. SELECTIVE TIN-LEAD ON PCB TAILS, NICKEL OVERALL.



3	5.5	2007823-6	OBSOLETE
3	4.9	2007823-5	
3	4.5	2007823-4	
2	5.5	2007823-3	
2	4.9	2007823-2	
2	4.5	2007823-1	
FINISH	DIM M	PART NUMBER	

REFER TO WWW.TE.COM FOR PRODUCT AVAILABILITY

THIS DRAWING IS A CONTROLLED DOCUMENT.		DWN J.K.SHOBER 13JAN2011		TE Connectivity	
DIMENSIONS: mm		CHK J.EARY 13JAN2011		NAME IMPACT, 4 PAIR, 10 COLUMN, HEADER	
TOLERANCES UNLESS OTHERWISE SPECIFIED:		APVD J.EARY 13JAN2011	PRODUCT SPEC		
0 PLC ±0.25		APPLICATION SPEC	SIZE CAGE CODE DRAWING NO RESTRICTED TO		
1 PLC ±0.13		WEIGHT	A100779C=2007823		
2 PLC ±		CUSTOMER DRAWING	SCALE 6:1 SHEET 1 OF 1 REV B3		
3 PLC ±					
4 PLC ±					
ANGLES ±					
FINISH SEE TABLE					