

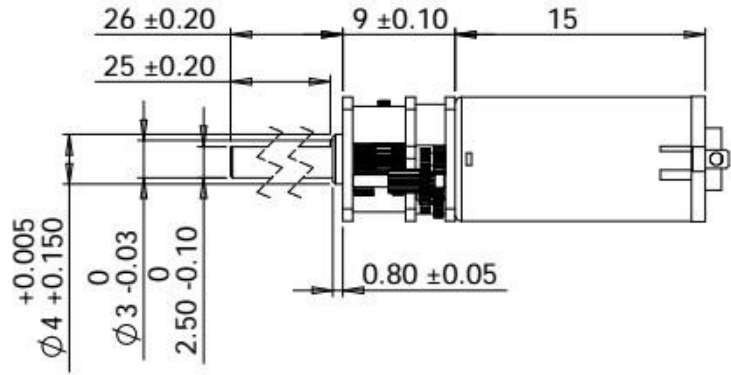
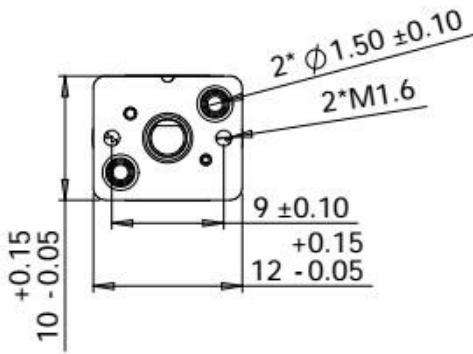


Micro Metal DC Geared Motor with Long Shaft (6V 98RPM M3*25)

SKU:FIT0578

INTRODUCTION

This DC gearmotor has an integrated M3*25mm long rod as its output shaft, turn it into a linear actuator. 6V rated voltage, the no-load speed could arrive 98RPM. The brass faceplate has two mounting holes threaded for M1.6 screws (1.6mm diameter, 0.35mm thread pitch), or you can use the mounting bracket or extended mounting bracket, which are specifically designed to securely mount the gear motor while enclosing the exposed gears.



SPECIFICATION

- Reduction ratio: 1:150
- Standard operating voltage: 6V
- No-load current: 24±10% mA (Max)
- No-load speed: 98±10% r/min
- Load current: 185±10% mA (Max)
- Load speed: 60±10% r/min
- Load: 550g*cm
- Stall current: 420 ± 10% mA (Max)
- Locking torque: 1000g*cm
- Single weight: about 10g
- Mechanical noise: ≤50dB (measured at about 10cm from the gearbox)

SHIPPING LIST

- Micro Metal DC Geared Motor with Lead Screw (6V 98RPM M3*20) x1