

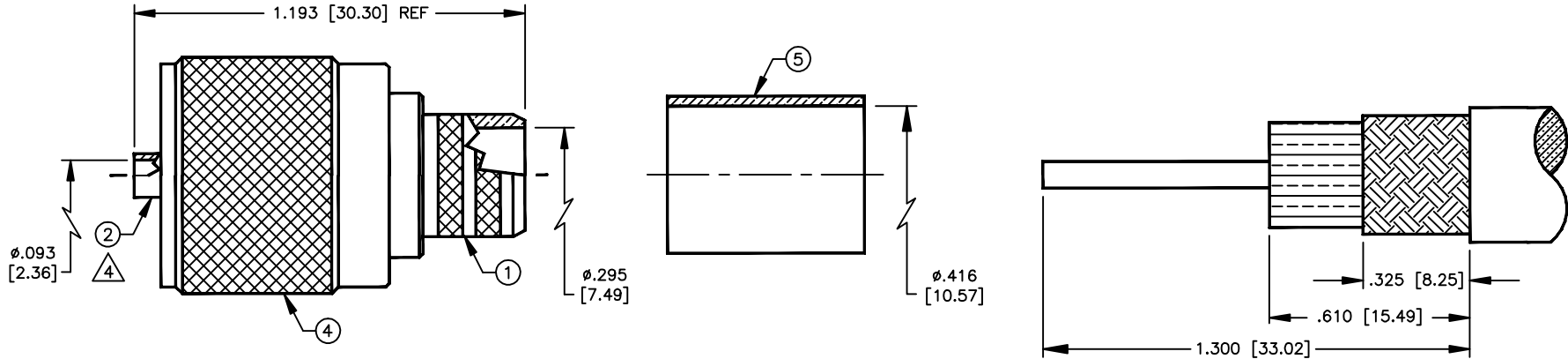
# SPECIFICATION CONTROL DRAWING

THIS DRAWING CONTAINS INFORMATION PROPRIETARY TO RF INDUSTRIES, LTD. ANY UNAUTHORIZED USE OF THIS DRAWING IS EXPRESSLY PROHIBITED. ANY VIOLATION IS PUNISHABLE UNDER U.S. COPYRIGHT LAWS.

REV	DESCRIPTION	DWN	DATE	APPROVED
K	CHG FERRULE STUD DIMS & DIELECTRIC BARRIER CONFIG	KMM	8/15/94	R.RICE
L	CHANGE CONTACT END DIMENSION	KMM	8/31/95	R.RICE
M	CHANGE CONTACT ITEM #2 & DIELECTRIC ITEM #3	CZS	2/19/98	R.RICE
N	CHANGE TO KNURLED FERRULE STUD	CZS	3/10/00	J. D. McR.

ALL DIMENSIONS ARE REFERENCE ONLY

000000



### SUGGESTED STRIPPING INSTRUCTIONS

CRIMP FERRULE WITH .429 CRIMP DIE

△ CRIMP CONTACT WITH .100 CRIMP DIE OR SOLDER OR BOTH

### SPECIFICATIONS:

IMPEDANCE: NON CONSTANT  
 WORKING VOLTAGE: 500 VRMS @ SEA LEVEL  
 FREQUENCY RANGE: 0-300 GHz  
 FOR RG-8, 8A, 213/U, BELDEN 8237, 8267, 9251 & 9880

DIMENSIONS ARE IN INCHES AND [MILLIMETERS]

UNLESS OTHERWISE NOTED TOLERANCES ARE:  
 DECIMALS DIAMETER

**RF connectors**  
 DIVISION OF RF INDUSTRIES, LTD.

7610 MIRAMAR RD  
 SAN DIEGO, CA 92126  
 (858) 549-6340  
 (858) 549-6345 FAX

## RFU-507-ST

UHF MALE CRIMP PLUG

5	FERRULE [FER-205]	1	BRASS	SILVER	DRAWN C. ZUNIGA	3/10/00
4	SHELL	1	BRASS	SILVER	CHECKED	
3	DIELECTRIC	1	PTFE	NONE	ORJ DRAWN C. JONES	11/7/91
2	CONTACT	1	BRASS	SILVER	APPROVALS	DATE
1	BODY	1	BRASS	SILVER		
ITEM	DESCRIPTION	QTY	MATERIAL	FINISH	APPROVALS	DATE

SIZE A	CABLE GROUP E	DWG NO. 8058	REV N
SCALE: 2:1		CAD FILE	SHEET 1 OF 1