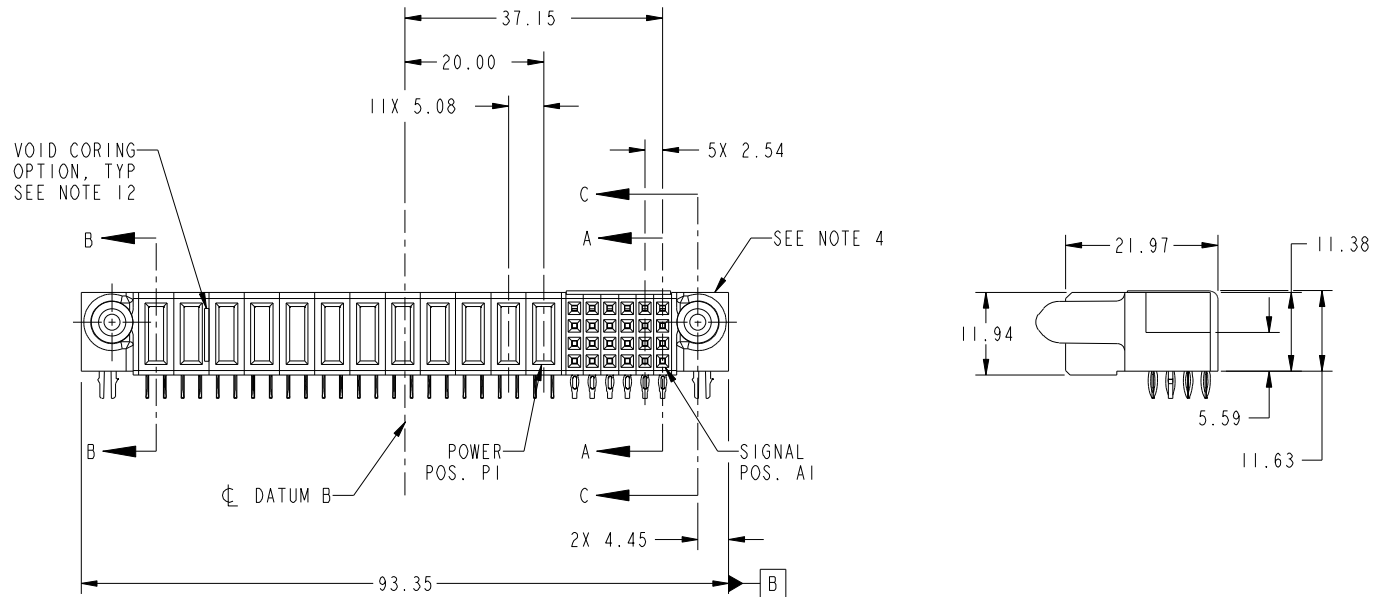
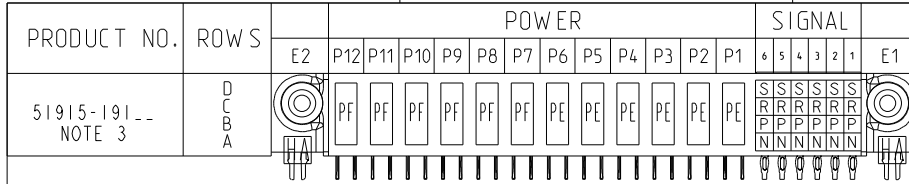


Tous droits strictement réservés. Reproduction ou communication a des tiers interdite sous quelque forme que ce soit sans autorisation écrite du propriétaire. Propriété de c FCI. Droits de reproduction FCI.



All rights strictly reserved. Reproduction or issue to third parties in any form whatever is not permitted without written authority from the proprietor. Property of FCI. Copyright FCI.



CODE	DIM "M" MATING LENGTH	CONTACT TYPE
PF	[2.34]	POWER
S	[N/A]	SIGNAL
R	[N/A]	SIGNAL
P	[N/A]	SIGNAL
N	[N/A]	SIGNAL
HA	[N/A]	HOLD-DOWN
PE	[1.07]	POWER

mat'l code				SEE NOTE 2		tolerances unless otherwise specified		CUSTOMER	
ltr	ecn no.	dr	date	linear	0.X ± 0.5	angles	0° ± 2°	COPY	
A	DG09-0357	WD	11/14/09		0.XX ± 0.25			projection	
					0.XXX ± 0.1			title	
				dr	Warren Du 01/16/09			product family	
				enr	Warren Du 01/16/09			PwrBlade	
				chr	Gary Hsieh 01/16/09			code	
				appd	Joseph Hsia 01/16/09			213	
sheet index	revision sheet	A 1	A 2	A 3	A 4			sheet 1 of 4	

CUSTOMER		FCI	
www.fciconnect.com		www.fciconnect.com	
title		24S + 12P R/A PF RECEPTACLE	
product family	PwrBlade	code	213
size	A	dwg no	51915-191
scale	1:1	sheet	1 of 4

cage code 22526

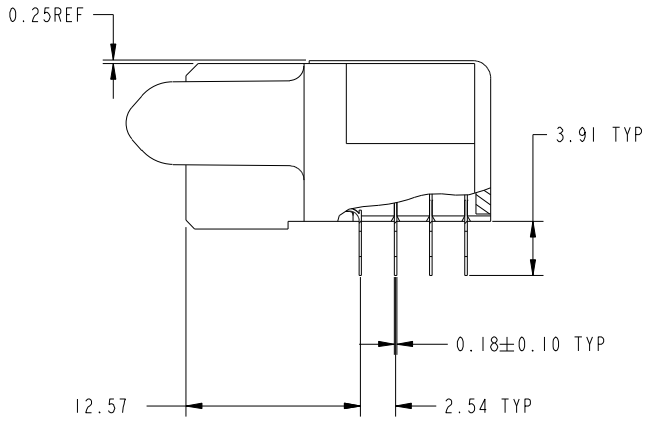
Pro/E

Tous droits strictement reserves. Reproduction ou communication a des tiers interdite sous quelque forme que ce soit sans autorisation écrite du propriétaire. Propriete de c FCI. Droits de reproduction FCI.

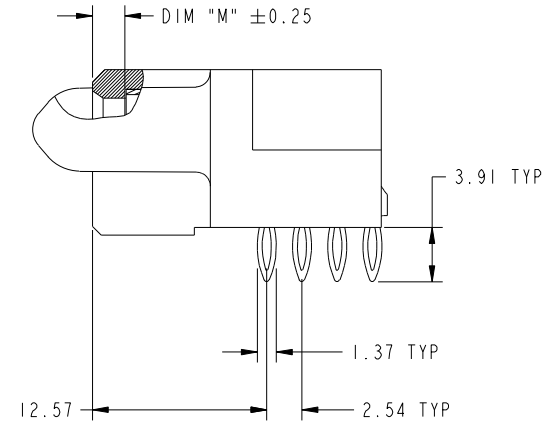
All rights strictly reserved. Reproduction or issue to third parties in any form whatever is not permitted without written authority from the proprietor. Property of FCI. Copyright FCI.



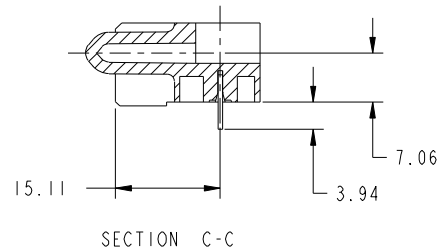
PRODUCT NUMBER
51915-191--
NOTE 3



BROKEN-OUT SECTION A-A
SCALE 2:1



BROKEN-OUT SECTION B-B
SCALE 2:1



mat'l code		SEE NOTE 2		tolerances unless otherwise specified		CUSTOMER		FCI	
ltr	ecn no.	dr	date	linear	0.X ± 0.5	COPY		www.fciconnect.com	
A				linear	0.XX ± 0.25	projection		title	
				angles	0.XXX ± 0.1			24S + 12P R/A PF RECEPTACLE	
				dr	0 ± 2°			product family PwrBlade code	
				enr	Warren Du 01/16/09	scale		size	
				chr	Warren Du 01/16/09	1:1		dwg no	
				appd	Gary Hsieh 01/16/09			51915-191	
					Joseph Hsia 01/16/09			sheet	
sheet index	revision sheet							2 of 4	

cage code 22526

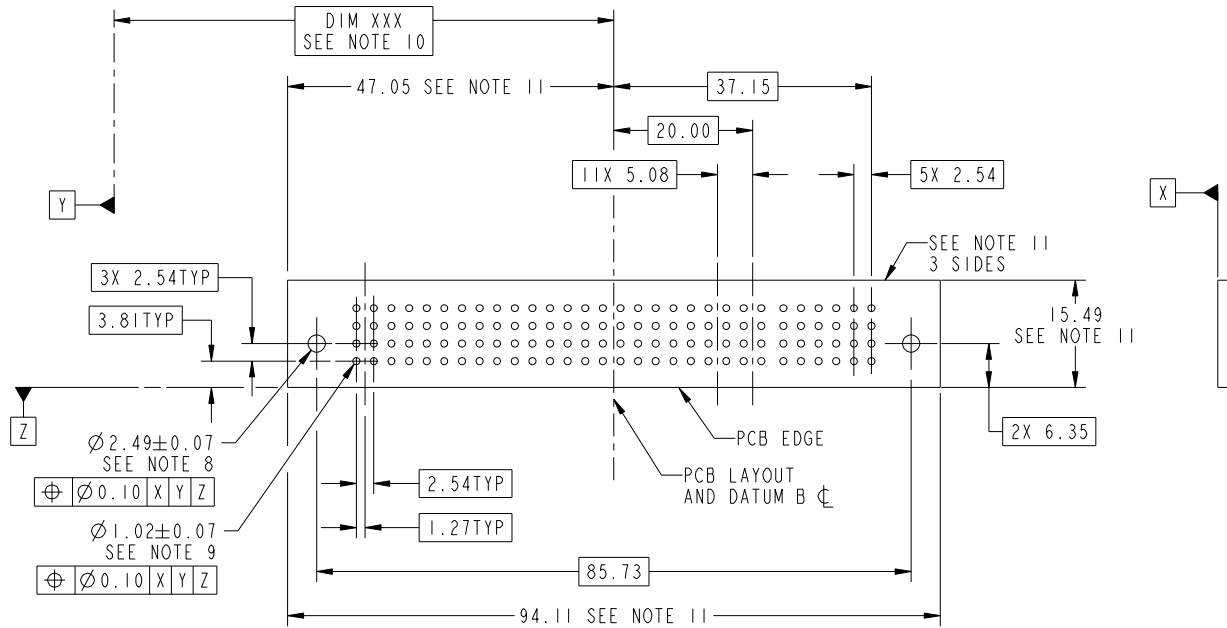
Pro/E

Tous droits strictement reserves. Reproduction ou communication a des tiers interdite sous quelque forme que ce soit sans autorisation écrite du propriétaire. Propriete de c FCI. Droits de reproduction FCI.



All rights strictly reserved. Reproduction or issue to third parties in any form whatever is not permitted without written authority from the proprietor. Property of FCI. Copyright FCI.

PRODUCT NUMBER
51915-191--
NOTE 3



RECOMMENDED PCB LAYOUT

mat'l code				SEE NOTE		tolerances unless otherwise specified		CUSTOMER		FCI	
ltr	ecn no.	dr	date	linear	0.X ±0.5	COPY		www.fciconnect.com		title	
A					0.XX ±0.25	projection		24S + 12P		R/A PF RECEPTACLE	
				angles	0.XXX ±0.1	MIM		product family		PwrBlade	
				dr	0° ±2°	scale		size		code	
				enr	Warren Du 01/16/09	1:1		dwg no		213	
				chr	Warren Du 01/16/09			51915-191		sheet	
				appd	Gary Hsieh 01/16/09			A		3 of 4	
					Joseph Hsia 01/16/09						
sheet index	revision sheet										

cage code 22526

Pro/E

Tous droits strictement reserves. Reproduction ou communication a des tiers interdite sous quelque forme que ce soit sans autorisation écrite du propriétaire. Propriete de c FCI. Droits de reproduction FCI.



All rights strictly reserved. Reproduction or issue to third parties in any form whatever is not permitted without written authority from the proprietor. Property of FCI. Copyright FCI.

PRODUCT NUMBER
51915-191--
NOTE 3

NOTES:

1. DIMENSIONS AND TOLERANCES ARE IN ACCORDANCE WITH ASME Y14.5M, 1994 UNLESS OTHERWISE SPECIFIED.

CONNECTOR NOTES:

- 2. HOUSING MATERIAL: UL 94 V-0 GLASS FILLED HIGH-TEMP THERMOPLASTIC
POWER CONTACT MATERIAL: COPPER ALLOY
SIGNAL PIN MATERIAL: COPPER ALLOY
- 3. PLATING:
SEE ITEM 7 & 8 IN PRINT 10064183 FOR PLATING SPEC OF 51915-191 AND 51915-191LF RESPECTIVELY.
- 4. MANUFACTURER'S NAME, P/N, AND DATE CODE TO APPEAR ON THIS SURFACE.
- 5. PRODUCT SPECIFICATION GS-12-149.
APPLICATION SPECIFICATION BUS-20-067.
- 6. PACKAGED IN TRAYS.

PCB NOTES:

- 7. ALL HOLE DIAMETERS ARE FINISHED HOLE SIZE.
- 8. MOUNTING HOLES, WHERE APPLICABLE, ARE UNPLATED.
- 9. $\varnothing 1.151 \pm 0.025$ DRILLED HOLES PLATED WITH
0.008 MIN SnPb OR Sn OVER 0.03
TO 0.08 Cu PLATING TO ACHIEVE
 $\varnothing 1.02 \pm 0.07$ HOLE.
- 10. "DIM XXX" TO BE DETERMINED BY THE CUSTOMER.
- 11. CONNECTOR KEEP-OUT ZONE.
- 12. THE VOID CORING IN BETWEEN POWER MODULES, SIGNAL MODULES AND END MODULES ARE OPTIONAL AND THE SHAPE MAY BE DIFFERENT FOR OPTIMIZE THE MOLDING PROCESS. THE VOID CORING WILL NOT EFFECT TO PRODUCT FUNCTION.
- 13. USE FCI CAM TOOL 430140-XXX TO APPLY CONNECTOR TO PCB.

mat'l code		SEE NOTE 2		tolerances unless otherwise specified		CUSTOMER		FCI		www.fciconnect.com	
ltr	ecr no.	dr	date	linear	$0.X \pm 0.5$	COPY		title			
A					$0.XX \pm 0.25$	projection		24S + 12P R/A PF RECEPTACLE			
				angles	$0.XXX \pm 0.1$			product family PwrBlade code			
				dr	Warren Du 01/16/09	MIM		size		213	
				enr	Warren Du 01/16/09			dwg no		sheet	
				chr	Gary Hsieh 01/16/09	scale		A		4 of 4	
				appd	Joseph Hsia 01/16/09	1:1		51915-191			
sheet index	revision sheet										

cage code 22526

Pro/E