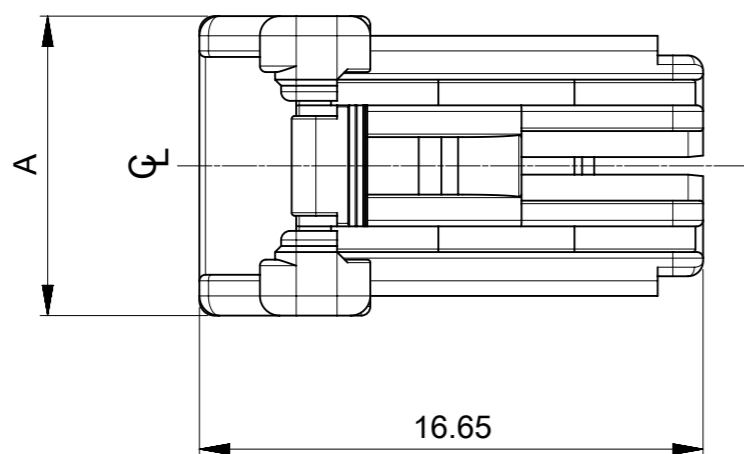
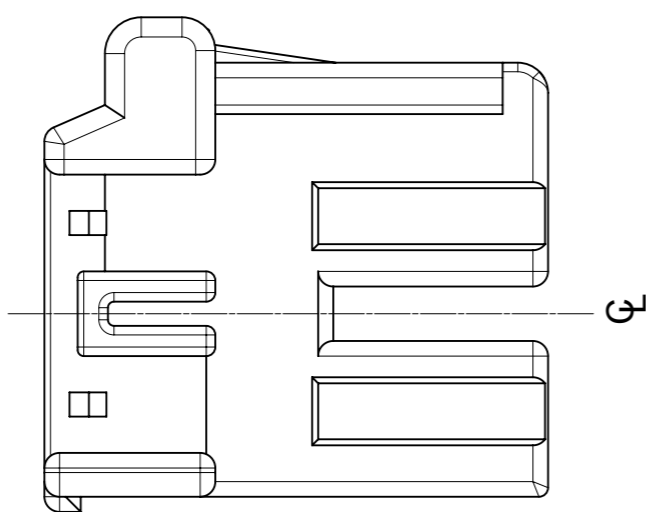
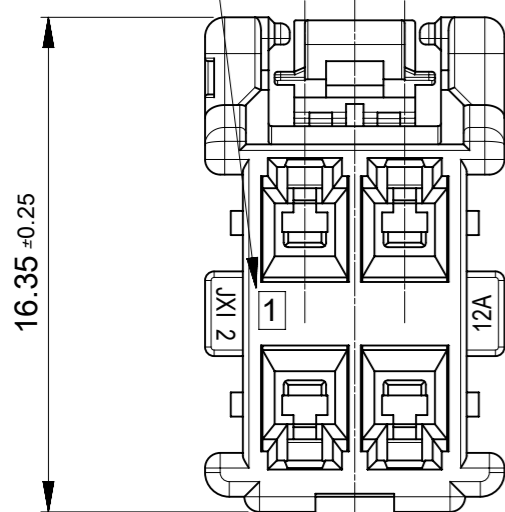


SHAPE OF 4CKTS

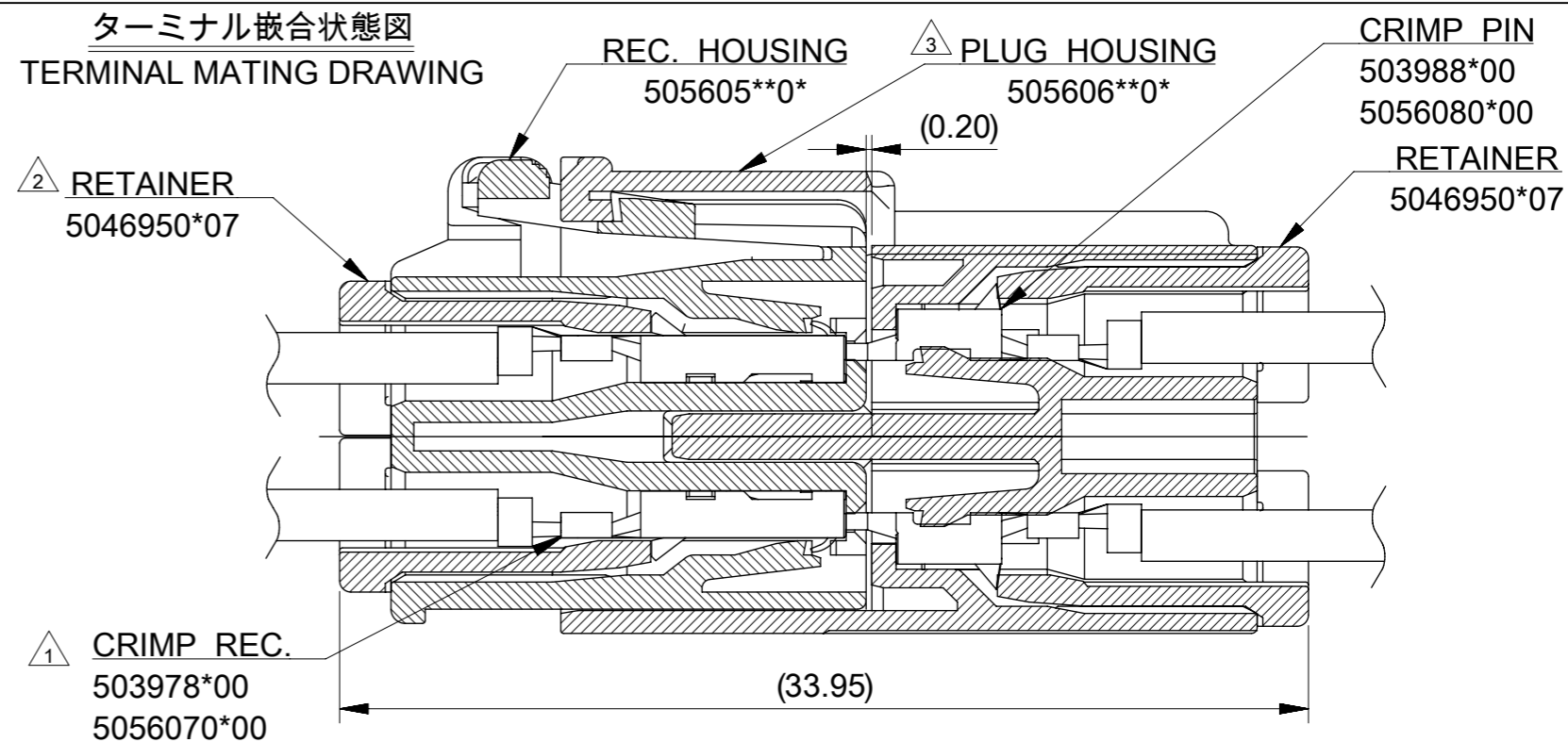


回路番号 1 マーク  
CKT.NO.1 MARK



ターミナル嵌合状態図

TERMINAL MATING DRAWING



注記  
NOTES

- ① 適合ターミナル : 50397,505607 シリーズ  
APPLICABLE TERMINAL : 50397,505607 SERIES
- ② 適合リテーナー : 504695 シリーズ  
APPLICABLE RETAINER : 504695 SERIES
- ③ 嵌合相手 : 505606 シリーズ  
MATE WITH : 505606 SERIES
- 4. 材質 : POLYESTER(PBT),UL94V-0  
MATERIAL : POLYESTER(PBT),UL94V-0
- 5. MATERIAL NO. は以下の内容を示す。  
MATERIAL No. : 505605\*\*0\*  
極数 CKT. | 色 COLOR  
0:自然色 NATURAL  
1:黒 BLACK  
2:赤 RED  
3:黄 YELLOW

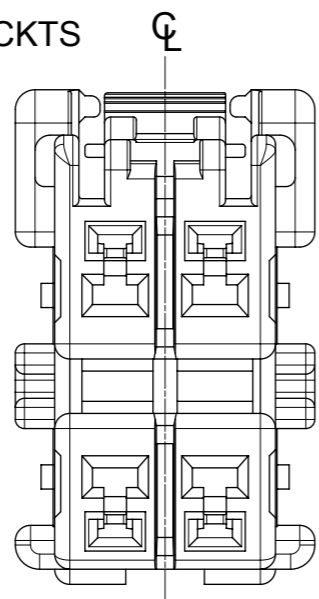
16.5	23.1	12	505605120*	505605**0*
13.2	19.8	10	505605100*	
9.9	16.5	8	505605080*	
6.6	13.2	6	505605060*	
3.3	9.9	4	505605040*	
(B)	A	極数 CKT.	BAG PACKAGE	MODEL NO.
			オーダー番号 ORDER NO.	

THIS DRAWING CONTAINS INFORMATION THAT IS PROPRIETARY TO MOLEX ELECTRONIC TECHNOLOGIES, LLC AND SHOULD NOT BE USED WITHOUT WRITTEN PERMISSION

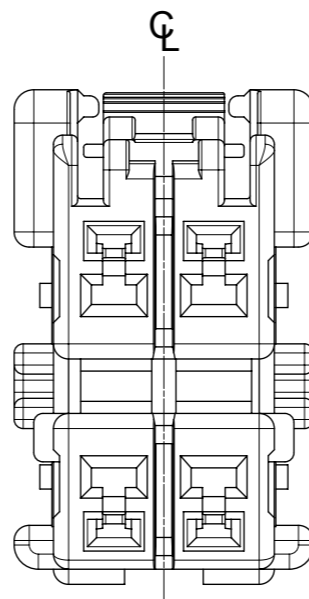
EC NO: 168281 DRWN: NITO CHK'D: SAKIYAMA APPR: TKANEKO	2017/11/21	GENERAL TOLERANCES (UNLESS SPECIFIED) ANGULAR TOL ± 3.0 ° 4 PLACES ± 0.2 3 PLACES ± 0.2 2 PLACES ± 0.2 1 PLACE ± 0.2 0 PLACES ± 0.2 DRAFT WHERE APPLICABLE MUST REMAIN WITHIN DIMENSIONS	DIMENSION UNITS	SCALE		
	2017/11/22		mm	4:1		
	2017/11/22		DRWN BY	DATE		KOMORI 2016/11/02
			CHK'D BY	DATE		SAKIYAMA 2017/02/08
			APPR BY	DATE	TKANEKO 2017/02/08	
			DRAWING SIZE	THIRD ANGLE PROJECTION	SERIES	
			A3		505605	
					MATERIAL NUMBER	
					5056050000	
					CUSTOMER	
					GENERAL	
					DOCUMENT NUMBER	
					5056050000	
					DOC TYPE	
					PSD	
					DOC PART	
					000	
					SHEET NUMBER	
					1 OF 2	

MATING  
KEY TYPE & COLOR

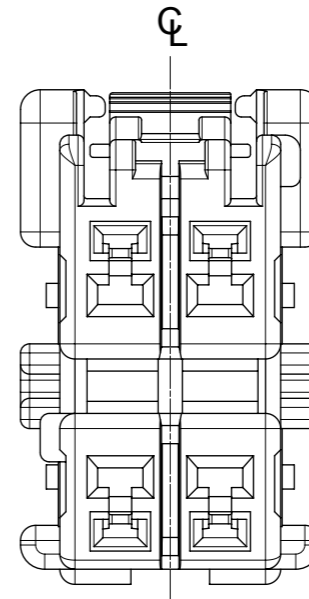
REFERENCE 4 CKTS



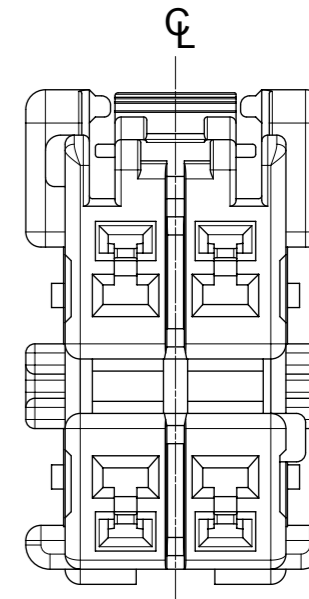
KEY TYPE : 1 COLOR : NATURAL  
MATERIAL NO. : 5056050400



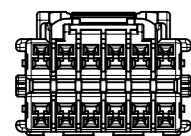
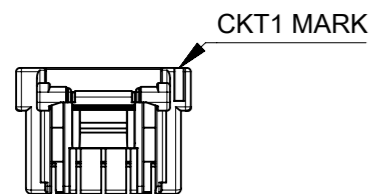
KEY TYPE : 2 COLOR : BLACK  
MATERIAL NO. : 5056050401



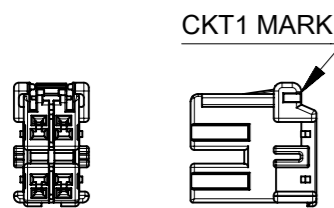
KEY TYPE : 3 COLOR : RED  
MATERIAL NO. : 5056050402



KEY TYPE : 4 COLOR : YELLOW  
MATERIAL NO. : 5056050403



VIEW OF CKT.10,12  
(SCALE 1:1)



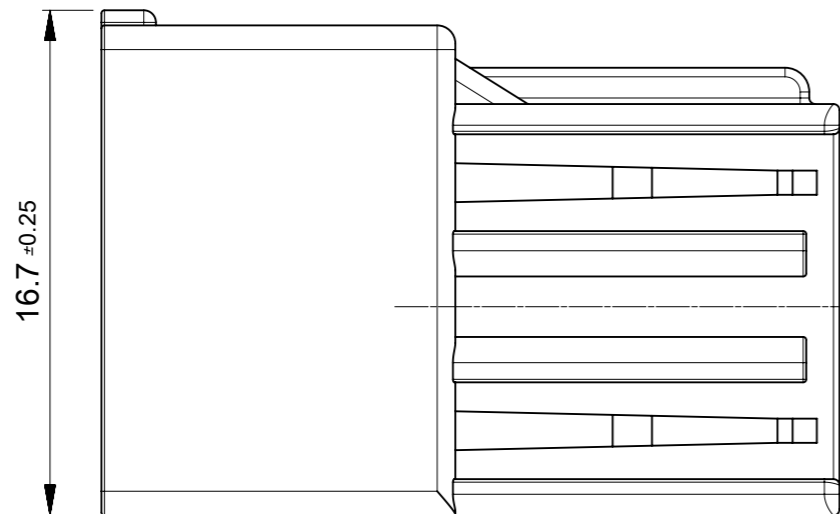
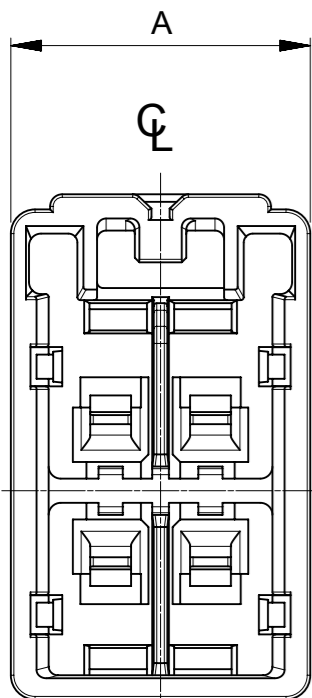
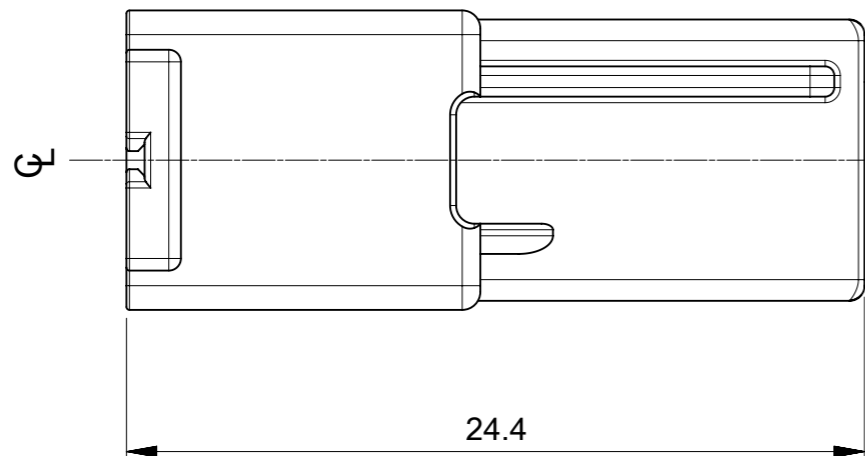
VIEW OF CKT.4,6,8  
(SCALE 1:1)

505606120*	5046950607	12	5056051203	5056051202	5056051201	5056051200
505606100*	5046950507	10	5056051003	5056051002	5056051001	5056051000
505606080*	5046950407	8	5056050803	5056050802	5056050801	5056050800
505606060*	5046950307	6	5056050603	5056050602	5056050601	5056050600
505606040*	5046950207	4	5056050403	5056050402	5056050401	5056050400
MATE WITH	CONFORTABLE-RETAINER	極数 CKT.	YELLOW	RED	BLACK	NATURAL
BAG PACKAGE						
オーダー番号 ORDER NO.						

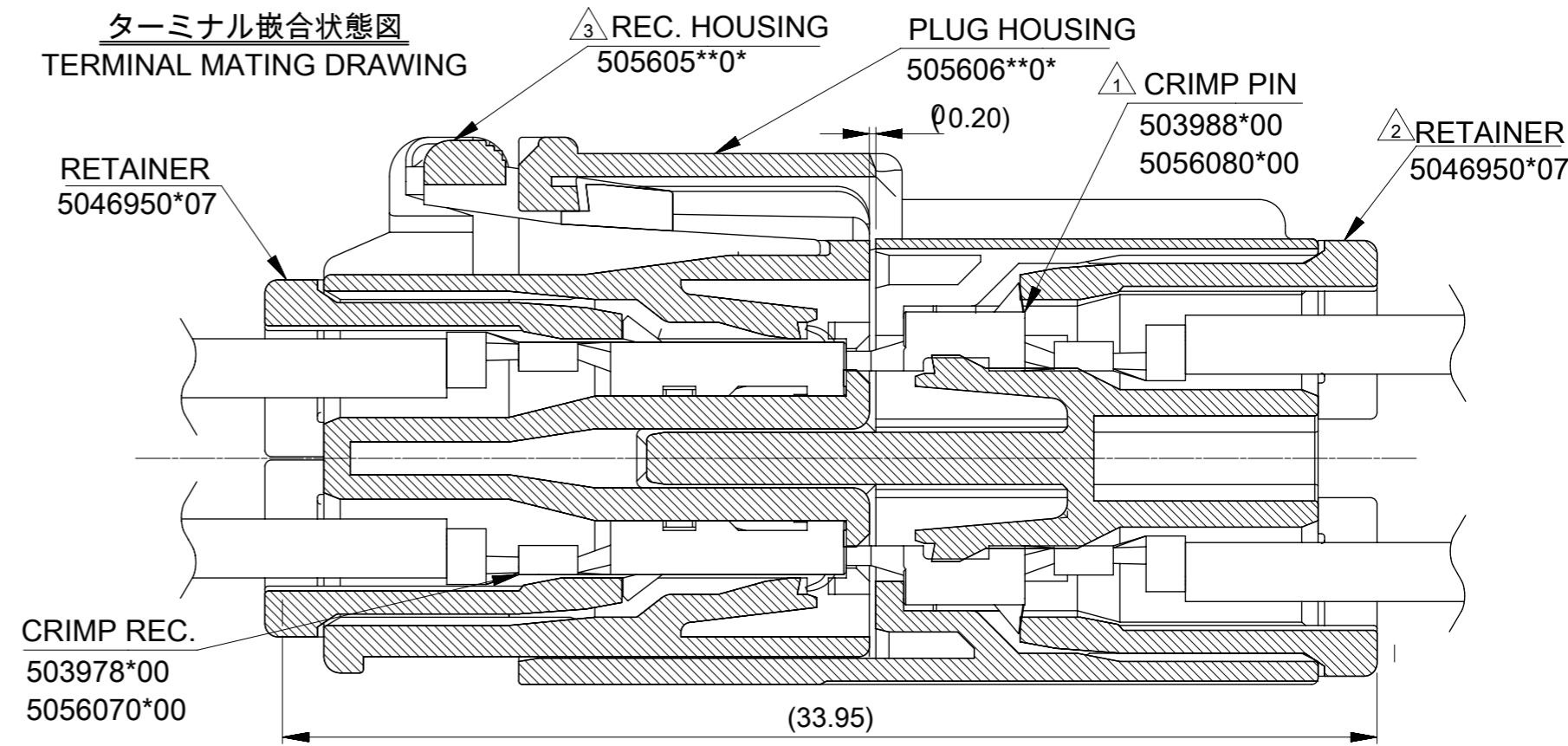
THIS DRAWING CONTAINS INFORMATION THAT IS PROPRIETARY TO MOLEX ELECTRONIC TECHNOLOGIES, LLC AND SHOULD NOT BE USED WITHOUT WRITTEN PERMISSION

EC NO: 168281 DRWN: NITO CHK'D: SAKIYAMA APPR: TKANEKO	2017/11/21	2017/11/22	2017/11/22	GENERAL TOLERANCES (UNLESS SPECIFIED) ANGULAR TOL ± 3.0 ° 4 PLACES ± 0.2 3 PLACES ± 0.2 2 PLACES ± 0.2 1 PLACE ± 0.2 0 PLACES ± 0.2 DRAFT WHERE APPLICABLE MUST REMAIN WITHIN DIMENSIONS	DIMENSION UNITS	SCALE			
					mm	4:1		CP 3.3 W/W DUAL ROW REC. HOUSING	
					DRWN BY	DATE			PRODUCT CUSTOMER DRAWING
					KOMORI	2016/11/02			
			CHK'D BY	DATE					
			SAKIYAMA	2017/02/08					
			APPR BY	DATE					
			TKANEKO	2017/02/08					
			DRAWING SIZE	THIRD ANGLE PROJECTION					
			A3		SERIES	MATERIAL NUMBER	CUSTOMER		
					505605	5056050000	GENERAL		
					DOCUMENT NUMBER	DOC TYPE	DOC PART	SHEET NUMBER	
					5056050000	PSD	000	2 OF 2	

SHAPE OF 4CKTS



ターミナル嵌合状態図  
TERMINAL MATING DRAWING

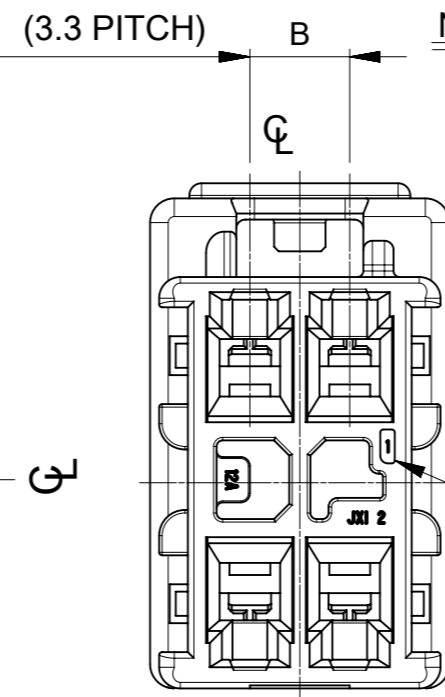


注記  
NOTES

- ① 適合ターミナル:50398,505608 シリーズ。  
APPLICABLE TERMINAL: 50398,505608 SERIES.
- ② 適合リテーナー : 504695 シリーズ。  
APPLICABLE RETAINER:504695 SERIES.
- ③ 嵌合相手:505605 シリーズ。  
MATE WITH : 505605 SERIES.
- 4. 材質 : POLYESTER(PBT),UL94V-0  
MATERIAL:POLYESTER(PBT),UL94V-0

5. MATERIAL NO. は以下の内容を示す。  
MATERIAL NO.

505606 **0*	色	
極数	色	
CKT	0. 自然色	NATURAL
	1. 黒	BLACK
	2. 赤	RED
	3. 黄	YELLOW



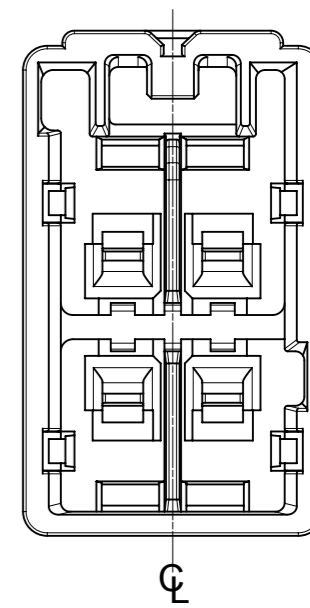
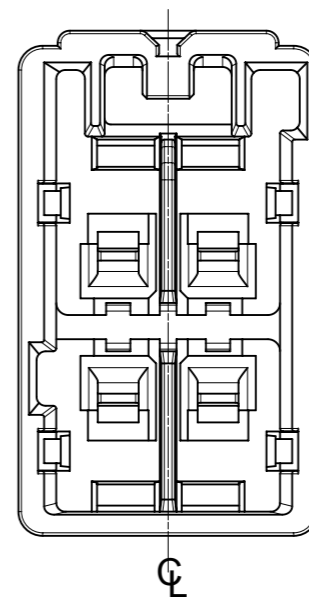
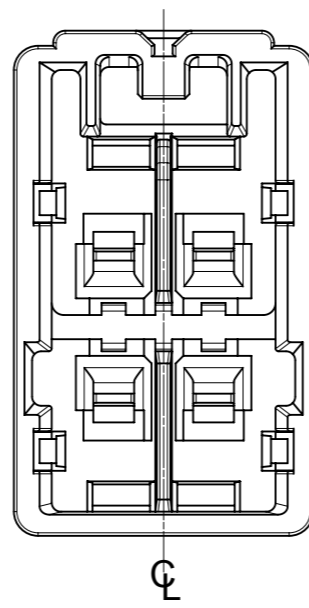
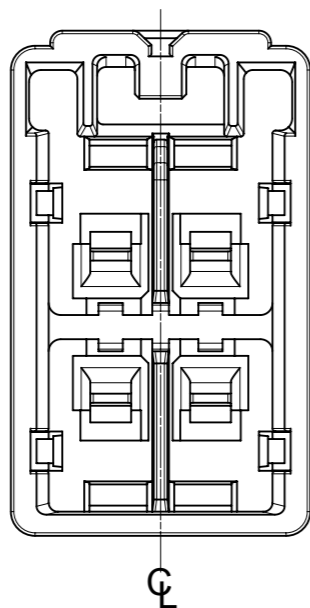
16.5	23.1	12	505606120*	505606**0*
13.2	19.8	10	505606100*	
9.9	16.5	8	505606080*	
6.6	13.2	6	505606060*	
3.3	9.9	4	505606040*	
(B)	A	極数 CKT.	BAG PACKAGE	MODEL NO.
			オーダー番号	ORDER NO.

THIS DRAWING CONTAINS INFORMATION THAT IS PROPRIETARY TO MOLEX ELECTRONIC TECHNOLOGIES, LLC AND SHOULD NOT BE USED WITHOUT WRITTEN PERMISSION

EC NO: 168281 DRWN: NITO CHK'D: SAKIYAMA APPR: TKANEKO	2017/11/21	2017/11/22	GENERAL TOLERANCES (UNLESS SPECIFIED) ANGULAR TOL ± 3.0 ° 4 PLACES ± 0.2 3 PLACES ± 0.2 2 PLACES ± 0.2 1 PLACE ± 0.2 0 PLACES ± 0.2 DRAFT WHERE APPLICABLE MUST REMAIN WITHIN DIMENSIONS	DIMENSION UNITS	SCALE	
	2017/11/21	2017/11/22		mm	4:1	
	DRWN BY	DATE		QHE31	2016/11/01	
	CHK'D BY	DATE		SAKIYAMA	2017/02/08	
2017/11/21	2017/11/22	2017/11/22		APPR BY	DATE	PRODUCT CUSTOMER DRAWING
2017/11/21	2017/11/22	2017/11/22		TKANEKO	2017/02/08	
2017/11/21	2017/11/22	2017/11/22				
DRAFT WHERE APPLICABLE MUST REMAIN WITHIN DIMENSIONS		DRAFTING SIZE		THIRD ANGLE PROJECTION		SERIES
		A3				MATERIAL NUMBER
						CUSTOMER
						505606
						5056060000
						GENERAL
						DOCUMENT NUMBER
						5056060000
						DOC TYPE
						PSD
						DOC PART
						000
						SHEET NUMBER
						1 OF 2

MATING  
KEY TYPE & COLOR

REFERENCE 4 CKTS



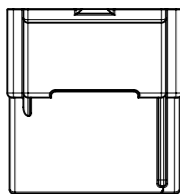
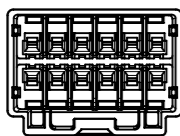
KEY TYPE : 1 COLOR : NATURAL  
MATERIAL NO. : 5056060400

KEY TYPE : 2 COLOR : BLACK  
MATERIAL NO. : 5056060401

KEY TYPE : 3 COLOR : RED  
MATERIAL NO. : 5056060402

KEY TYPE : 4 COLOR : YELLOW  
MATERIAL NO. : 5056060403

505605120*	5046950607	12	5056061203	5056061202	5056061201	5056061200
505605100*	5046950507	10	5056061003	5056061002	5056061001	5056061000
505605080*	5046950407	8	5056060803	5056060802	5056060801	5056060800
505605060*	5046950307	6	5056060603	5056060602	5056060601	5056060600
505605040*	5046950207	4	5056060403	5056060402	5056060401	5056060400
MATE WITH	CONFORTABLE-RETAINER	極数 CKT.	YELLOW	RED	BLACK	NATURAL
			BAG PACKAGE			
			オーダー番号 ORDER NO.			



CKT1 MARK

VIEW OF 4,6,8,10,12CKTS  
(SCALE 1:1)

THIS DRAWING CONTAINS INFORMATION THAT IS PROPRIETARY TO MOLEX ELECTRONIC TECHNOLOGIES, LLC AND SHOULD NOT BE USED WITHOUT WRITTEN PERMISSION

EC NO: 168281 DRWN: NITO CHK'D: SAKIYAMA APPR: TKANEKO	2017/11/21	GENERAL TOLERANCES (UNLESS SPECIFIED)	DIMENSION UNITS	SCALE				
	2017/11/22		mm	4:1				
	2017/11/22		DRWN BY	DATE		CP 3.3 W/W DUAL ROW PLUG HOUSING		
			QHE31	2016/11/01				
		ANGULAR TOL ± 3.0 °	CHK'D BY	DATE	PRODUCT CUSTOMER DRAWING			
		4 PLACES ± 0.2	SAKIYAMA	2017/02/08	SERIES	MATERIAL NUMBER	CUSTOMER	
		3 PLACES ± 0.2	TKANEKO	2017/02/08	505606	5056060000	GENERAL	
		2 PLACES ± 0.2			DOCUMENT NUMBER	DOC TYPE	DOC PART	SHEET NUMBER
		1 PLACE ± 0.2			5056060000	PSD	000	2 OF 2
		0 PLACES ± 0.2	DRAWING SIZE	THIRD ANGLE PROJECTION				
			A3					
		DRAFT WHERE APPLICABLE MUST REMAIN WITHIN DIMENSIONS						