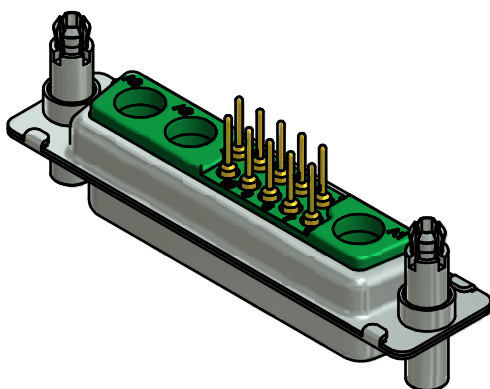
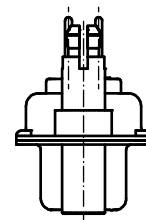
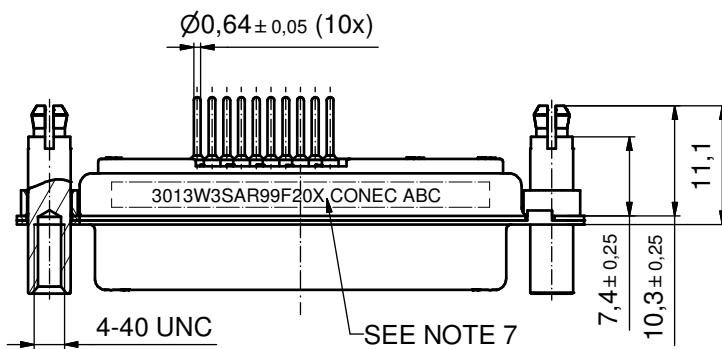
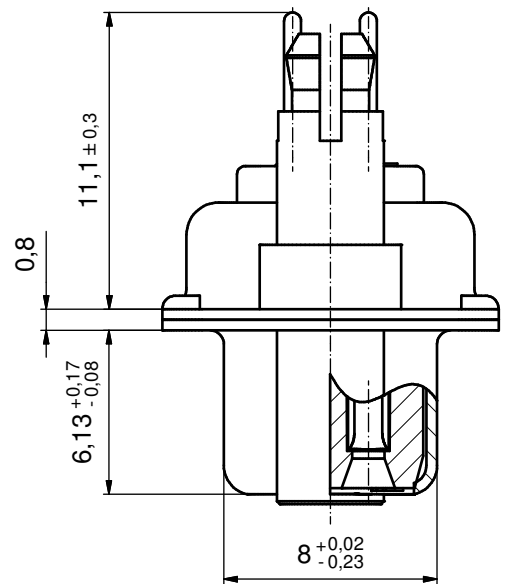


(5:1)



NOTES:

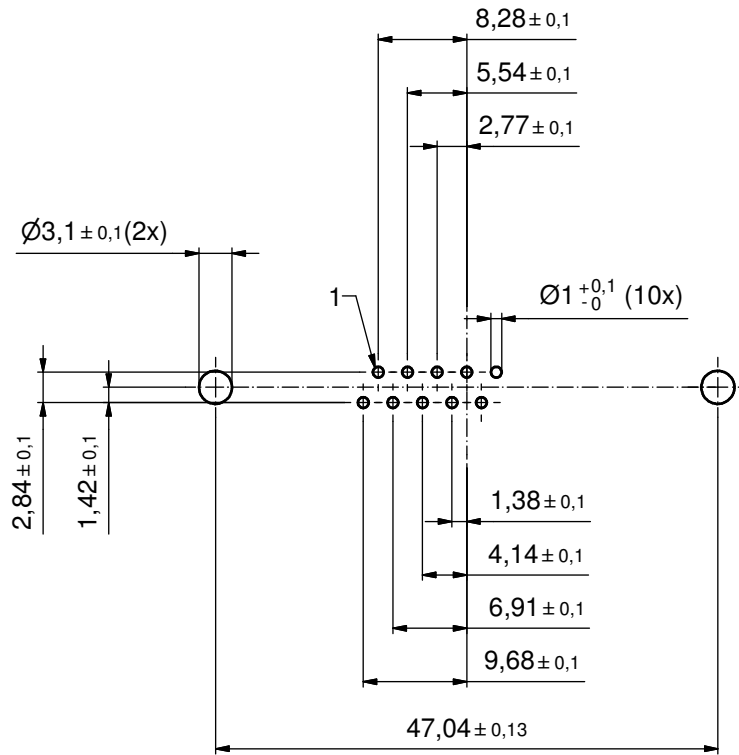
- METALSHELLS: STEEL; min. 315µin TIN over 40-80µin NICKEL
- INSULATORS: PBT GF UL 94 V-0, GREEN
- SIGNAL CONTACTS: COPPER ALLOY
PLATING: GOLD FLASH over NICKEL
- NO CONTACTS ON POS. A1 - A3
- THREADED LOCK AND SPACER CLIP: COPPER ALLOY; min. 200µin TIN over 80µin NICKEL
PCB-HOLE: $\phi 3.1 \pm 0.1$; PCB THICKNESS 1,6mm
- MAXIMUM TORQUE VALUE FOR THREAD: 6 in.LB
- CONNECTOR IS PART MARKED: 3013W3SAR99F20X CONEC ABC

Directive 2002/95/EC RoHS compliant

THIS DRAWING MAY NOT BE COPIED OR REPRODUCED IN ANY WAY, AND MAY NOT BE PASSED ON TO A THIRD PARTY WITHOUT WRITTEN PERMISSION. OWNERSHIP AND COPYRIGHT OF CONEC GmbH DO NOT ALTER CAD DRAWING BY HAND				tolerance		scale: 2:1 (5:1)	
				dim. in mm		material: SEE NOTES	
				date	name	title:	
				drawn 14.03.11	Henneboel	D-SUB COMBINATION FEMALE 13W3S with threaded lock and spacer clip	
				appd. 14.03.11	Koch		
				norm			
			d-old		dwg no: Inventor 10	DIN-A3	
			a	Origin	13K1A3614		
			rev.	description	date	name	part no: 3013W3SAR99F20X
							sh: 1

P.C.B. HOLE DRILLINGS

(P.C.B. TPO SIDE)



THIS DRAWING MAY NOT BE COPIED OR REPRODUCED IN ANY WAY, AND MAY NOT BE PASSED ON TO A THIRD PARTY WITHOUT WRITTEN PERMISSION. OWNERSHIP AND COPYRIGHT OF CONEC GmbH DO NOT ALTER CAD DRAWING BY HAND				tolerance		scale: 2:1
				dim. in mm		material: SEE SHEET 1
	date	name		title:		
	drawn 14.03.11	Henneboel		P.C.B. HOLE DRILLINGS		
	appd. 14.03.11	Koch		D-SUB COMBINATION FEMALE 13W3S		
	norm			with threaded lock and spacer clip		
	d-old			dwg no: Inventor 10		DIN-A3
	a	Origin			13K1A3614	
	rev.	description	date	name	sh: 2	
					part no: SEE SHEET 1	

