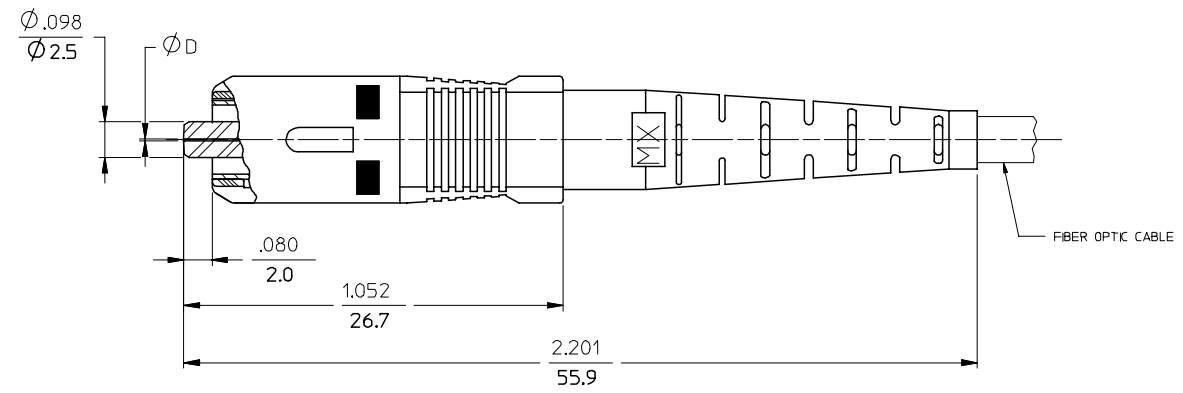
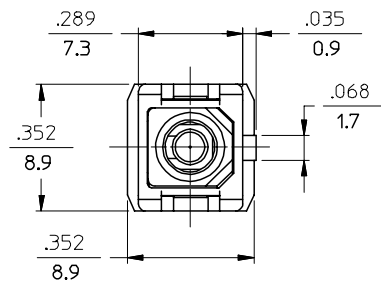


13 12 11 10 9 8 7 6 5 4 3 2 1

J  
I  
H  
G  
F  
E  
D  
C  
B  
A



NOTES:

- 1. ALL DIMENSIONS ARE FOR REFERENCE ONLY.
- \*2. P/NS 106032-5020, 106032-0140, 106032-5310, 106032-5990 AND 106032-0910 ARE BULK PACKED IN QUANTITIES OF 100 pcs.

|  |                               |   |         |   |   |                      |                        |
|--|-------------------------------|---|---------|---|---|----------------------|------------------------|
| ENTER DESCRIPTION<br>EC NO: MF2007-0445<br>DRAWN BY: RPACIFICI<br>CHKD: RPACIFICI<br>APPR: JGUMIN<br>REV: B1 | QUALITY SYMBOLS<br>▽=0<br>▽=0 | GENERAL TOLERANCES (UNLESS SPECIFIED)   |         | DIMENSION STYLE<br>IN/MM                | SCALE<br>4:1  | DESIGN UNITS<br>INCH | THIRD ANGLE PROJECTION |
|  |                               | 4 PLACES ± --- ± ---<br>3 PLACES ± --- ± ---<br>2 PLACES ± --- ± ---<br>1 PLACE ± --- ± --- | mm INCH | DRAWN BY: RPACIFICI<br>DATE: 2005/12/22 | TITLE<br>SC CONNECTOR (TUNABLE)                                       |                      |                        |
|  |                               | ANGULAR ±1/2°   |         | CHECKED BY: _____<br>DATE: _____        | MOLEX INCORPORATED  |                      |                        |
|  |                               | DRAFT WHERE APPLICABLE MUST REMAIN WITHIN DIMENSIONS  |         | APPROVED BY: _____<br>DATE: _____       | MATERIAL NO. _____<br>DOCUMENT NO. SD-106032-XXX0<br>SHEET NO. 1 OF 3 |                      |                        |

12 11 10 9 8 7 6 5 4 3 2 1

| 10            | 9           | 8          | 7                | 6              | 5                | 4             | 3      | 2                | 1             |                |                  |  |
|---------------|-------------|------------|------------------|----------------|------------------|---------------|--------|------------------|---------------|----------------|------------------|--|
| CONNECTOR P/N | ∅ (Hm)      | BOOT COLOR | HOUSING COLOR    | CONNECTOR TYPE | CABLE (mm)       | CONNECTOR P/N | ∅ (Hm) | BOOT COLOR       | HOUSING COLOR | CONNECTOR TYPE | CABLE (mm)       |  |
| 106032-0000   | 127         | BLUE       | BLUE             | MULTIMODE      | 3                | 106032-3000   | 128    | BLUE             | BLUE          | MULTIMODE      | 3                |  |
| 106032-0900   |             |            |                  |                | 2.0 & 1.6 DUPLEX | 106032-3900   |        |                  |               |                | 2.0 & 1.6 DUPLEX |  |
| 106032-0100   |             |            |                  |                | 1.6 SIMPLEX      | 106032-3100   |        |                  |               |                | 1.6 SIMPLEX      |  |
| 106032-0050   |             |            |                  |                | 3                | 106032-3060   |        |                  |               |                | 3                |  |
| 106032-0950   |             | WHITE      | BEIGE            |                | 2.0 & 1.6 DUPLEX | 106032-3960   |        | 2.0 & 1.6 DUPLEX |               |                |                  |  |
| 106032-0150   |             |            |                  |                | 1.6 SIMPLEX      | 106032-3160   |        | 1.6 SIMPLEX      |               |                |                  |  |
| 106032-0060   |             |            |                  |                | 3                | 106032-3050   |        | 3                |               |                |                  |  |
| 106032-0910*  |             |            |                  |                | 2.0 & 1.6 DUPLEX | 106032-3950   |        | 2.0 & 1.6 DUPLEX |               |                |                  |  |
| 106032-0960   |             | BEIGE      | BEIGE            |                | 1.6 SIMPLEX      | 106032-3150   |        | 1.6 SIMPLEX      |               |                |                  |  |
| 106032-0140*  |             |            |                  |                | 3                | 106032-3080   |        | 3                |               |                |                  |  |
| 106032-0160   |             |            |                  |                | 2.0 & 1.6 DUPLEX | 106032-3980   |        | 2.0 & 1.6 DUPLEX |               |                |                  |  |
| 106032-0080   |             |            |                  |                | 1.6 SIMPLEX      | 106032-3180   |        | 1.6 SIMPLEX      |               |                |                  |  |
| 106032-0980   | RED         | RED        | 2.0 & 1.6 DUPLEX | 106032-3070    | 3                |               |        |                  |               |                |                  |  |
| 106032-0180   |             |            | 1.6 SIMPLEX      | 106032-3970    | 2.0 & 1.6 DUPLEX |               |        |                  |               |                |                  |  |
| 106032-0070   |             |            | 3                | 106032-3170    | 1.6 SIMPLEX      |               |        |                  |               |                |                  |  |
| 106032-0970   |             |            | 2.0 & 1.6 DUPLEX |                |                  |               |        |                  |               |                |                  |  |
| 106032-0170   | 1.6 SIMPLEX |            |                  |                |                  |               |        |                  |               |                |                  |  |
| 106032-2000   | 125.5       | YELLOW     | BLUE             | SINGLE MODE    | 3                |               |        |                  |               |                |                  |  |
| 106032-2900   |             |            |                  |                | 2.0 & 1.6 DUPLEX |               |        |                  |               |                |                  |  |
| 106032-2100   |             |            |                  |                | 1.6 SIMPLEX      |               |        |                  |               |                |                  |  |
| 106032-2050   |             |            |                  |                | 3                |               |        |                  |               |                |                  |  |
| 106032-2950   |             | WHITE      | BEIGE            |                | 2.0 & 1.6 DUPLEX |               |        |                  |               |                |                  |  |
| 106032-2150   |             |            |                  |                | 1.6 SIMPLEX      |               |        |                  |               |                |                  |  |
| 106032-2080   |             |            |                  |                | 3                |               |        |                  |               |                |                  |  |
| 106032-2980   |             |            |                  |                | 2.0 & 1.6 DUPLEX |               |        |                  |               |                |                  |  |
| 106032-2180   |             | RED        | RED              |                | 1.6 SIMPLEX      |               |        |                  |               |                |                  |  |
| 106032-2070   |             |            |                  |                | 3                |               |        |                  |               |                |                  |  |
| 106032-2970   |             |            |                  |                | 2.0 & 1.6 DUPLEX |               |        |                  |               |                |                  |  |
| 106032-2170   |             |            |                  |                | 1.6 SIMPLEX      |               |        |                  |               |                |                  |  |
|               | BLACK       | BLACK      |                  |                |                  |               |        |                  |               |                |                  |  |
|               |             |            |                  |                |                  |               |        |                  |               |                |                  |  |
|               |             |            |                  |                |                  |               |        |                  |               |                |                  |  |
|               |             |            |                  |                |                  |               |        |                  |               |                |                  |  |

| ENTER DESCRIPTION<br>EC NO: MF2007-0445<br>DRWNGKPEVZNER 2007/01/12<br>CHKD: 2007/01/12<br>APPR: IGUMIN 2007/01/15<br>REV B1  | QUALITY SYMBOLS<br>▽=0<br>▽=0 | GENERAL TOLERANCES (UNLESS SPECIFIED)<br><table border="1"> <thead> <tr> <th></th> <th>mm</th> <th>INCH</th> </tr> </thead> <tbody> <tr> <td>4 PLACES</td> <td>± ---</td> <td>± ---</td> </tr> <tr> <td>3 PLACES</td> <td>± ---</td> <td>± ---</td> </tr> <tr> <td>2 PLACES</td> <td>± ---</td> <td>± ---</td> </tr> <tr> <td>1 PLACE</td> <td>± ---</td> <td>± ---</td> </tr> </tbody> </table> |                                | mm                  | INCH | 4 PLACES | ± --- | ± --- | 3 PLACES | ± --- | ± --- | 2 PLACES | ± --- | ± --- | 1 PLACE | ± --- | ± --- | DIMENSION STYLE<br>IN/MM<br>DRAWN BY: RPACIFICI<br>DATE: 2005/12/22<br>CHECKED BY: _____<br>DATE: _____<br>APPROVED BY: _____<br>DATE: _____ | SCALE<br>4:1<br>DESIGN UNITS<br>INCH<br>THIRD ANGLE PROJECTION | TITLE<br>SC CONNECTOR (TUNABLE) |
|---|-------------------------------|--|--------------------------------|---------------------|------|----------|-------|-------|----------|-------|-------|----------|-------|-------|---------|-------|-------|--|--|---------------------------------|
|   |                               | mm   | INCH                           |                     |      |          |       |       |          |       |       |          |       |       |         |       |       |  |  |                                 |
|   | 4 PLACES                      | ± ---  | ± ---                          |                     |      |          |       |       |          |       |       |          |       |       |         |       |       |  |  |                                 |
|   | 3 PLACES                      | ± ---  | ± ---                          |                     |      |          |       |       |          |       |       |          |       |       |         |       |       |  |  |                                 |
| 2 PLACES  | ± ---                         | ± ---  |                                |                     |      |          |       |       |          |       |       |          |       |       |         |       |       |  |  |                                 |
| 1 PLACE   | ± ---                         | ± ---  |                                |                     |      |          |       |       |          |       |       |          |       |       |         |       |       |  |  |                                 |
| DRAFT WHERE APPLICABLE MUST REMAIN WITHIN DIMENSIONS  |                               | MATERIAL NO.<br>SEE TABLE  | DOCUMENT NO.<br>SD-106032-XXX0 | SHEET NO.<br>2 OF 3 |      |          |       |       |          |       |       |          |       |       |         |       |       |  |  |                                 |
| THIS DRAWING CONTAINS INFORMATION THAT IS PROPRIETARY TO MOLEX INCORPORATED AND SHOULD NOT BE USED WITHOUT WRITTEN PERMISSION |                               |  |                                |                     |      |          |       |       |          |       |       |          |       |       |         |       |       |  |  |                                 |

| 10            | 9      | 8          | 7                | 6                | 5                | 4                | 3                | 2          | 1                |                |                  |
|---------------|--------|------------|------------------|------------------|------------------|------------------|------------------|------------|------------------|----------------|------------------|
| CONNECTOR P/N | Ø (Mm) | BOOT COLOR | HOUSING COLOR    | CONNECTOR TYPE   | CABLE (mm)       | CONNECTOR P/N    | Ø (Mm)           | BOOT COLOR | HOUSING COLOR    | CONNECTOR TYPE | CABLE (mm)       |
| 106032-4000   | 125    | YELLOW     | BLUE             | SINGLE MODE      | 3                | 106032-6000      | 125.5            | YELLOW     | BLUE             | SINGLE MODE    | 3                |
| 106032-4900   |        |            |                  |                  | 2.0 & 1.6 DUPLEX | 106032-6900      |                  |            |                  |                | 2.0 & 1.6 DUPLEX |
| 106032-4100   |        |            |                  |                  | 1.6 SIMPLEX      | 106032-6100      |                  |            |                  |                | 1.6 SIMPLEX      |
| 106032-4050   |        |            |                  |                  | 3                | 106032-7000      |                  |            |                  |                | 3                |
| 106032-4950   |        |            |                  |                  | 2.0 & 1.6 DUPLEX | 106032-7900      |                  |            |                  |                | 2.0 & 1.6 DUPLEX |
| 106032-4150   |        |            |                  |                  | 1.6 SIMPLEX      | 106032-7100      |                  |            |                  |                | 1.6 SIMPLEX      |
| 106032-4080   |        | WHITE      | RED              |                  | 3                | 106032-7050      | 3                |            |                  |                |                  |
| 106032-4980   |        |            |                  |                  | 2.0 & 1.6 DUPLEX | 106032-7950      | 2.0 & 1.6 DUPLEX |            |                  |                |                  |
| 106032-4180   |        |            |                  |                  | 1.6 SIMPLEX      | 106032-7150      | 1.6 SIMPLEX      |            |                  |                |                  |
| 106032-4070   |        |            |                  |                  | 3                | 106032-7080      | 3                |            |                  |                |                  |
| 106032-4970   |        |            |                  |                  | 2.0 & 1.6 DUPLEX | 106032-7980      | 2.0 & 1.6 DUPLEX |            |                  |                |                  |
| 106032-4170   |        |            |                  |                  | 1.6 SIMPLEX      | 106032-7180      | 1.6 SIMPLEX      |            |                  |                |                  |
| 106032-5000   | 126    | YELLOW     | BLUE             | 3                | 106032-7070      | 127              | WHITE            | RED        | 3                |                |                  |
| 106032-5020*  |        |            |                  | 2.4              | 106032-7970      |                  |                  |            | 2.0 & 1.6 DUPLEX |                |                  |
| 106032-5300   |        |            |                  | 2.0 & 1.6 DUPLEX | 106032-7170      |                  |                  |            | 1.6 SIMPLEX      |                |                  |
| 106032-5310*  |        |            |                  | 1.6 SIMPLEX      | 106032-7070      |                  |                  |            | 3                |                |                  |
| 106032-5900   |        |            |                  | 3                | 106032-7970      |                  |                  |            | 2.0 & 1.6 DUPLEX |                |                  |
| 106032-5990*  |        |            |                  | 1.6 SIMPLEX      | 106032-7170      |                  |                  |            | 1.6 SIMPLEX      |                |                  |
| 106032-5100   |        | WHITE      | RED              | 2.0 & 1.6 DUPLEX | 106032-7070      | 3                |                  |            |                  |                |                  |
| 106032-5050   |        |            |                  | 1.6 SIMPLEX      | 106032-7970      | 2.0 & 1.6 DUPLEX |                  |            |                  |                |                  |
| 106032-5950   |        |            |                  | 3                | 106032-7170      | 1.6 SIMPLEX      |                  |            |                  |                |                  |
| 106032-5150   |        |            |                  | 2.0 & 1.6 DUPLEX | 106032-7070      | 3                |                  |            |                  |                |                  |
| 106032-5080   |        |            |                  | 1.6 SIMPLEX      | 106032-7970      | 2.0 & 1.6 DUPLEX |                  |            |                  |                |                  |
| 106032-5980   |        |            |                  | 3                | 106032-7170      | 1.6 SIMPLEX      |                  |            |                  |                |                  |
| 106032-5180   | BLACK  | BLACK      | 2.0 & 1.6 DUPLEX | 106032-7070      | 3                |                  |                  |            |                  |                |                  |
| 106032-5180   |        |            | 1.6 SIMPLEX      | 106032-7970      | 2.0 & 1.6 DUPLEX |                  |                  |            |                  |                |                  |
| 106032-5070   |        |            | 3                | 106032-7170      | 1.6 SIMPLEX      |                  |                  |            |                  |                |                  |
| 106032-5970   |        |            | 2.0 & 1.6 DUPLEX | 106032-7070      | 3                |                  |                  |            |                  |                |                  |
| 106032-5170   |        |            | 1.6 SIMPLEX      | 106032-7970      | 2.0 & 1.6 DUPLEX |                  |                  |            |                  |                |                  |
| 106032-5170   |        |            | 3                | 106032-7170      | 1.6 SIMPLEX      |                  |                  |            |                  |                |                  |

| ENTER DESCRIPTION<br>EC NO: MF2007-0445<br>DRWNGKPEVNER 2007/01/12<br>CHKD: 2007/01/12<br>APPR: IGUMIN 2007/01/15 | DESCRIPTION<br>REV | QUALITY SYMBOLS<br>▽=0<br>▽=0 | GENERAL TOLERANCES (UNLESS SPECIFIED)<br><table border="1"> <tr> <th></th> <th>mm</th> <th>INCH</th> </tr> <tr> <td>4 PLACES</td> <td>± ---</td> <td>± ---</td> </tr> <tr> <td>3 PLACES</td> <td>± ---</td> <td>± ---</td> </tr> <tr> <td>2 PLACES</td> <td>± ---</td> <td>± ---</td> </tr> <tr> <td>1 PLACE</td> <td>± ---</td> <td>± ---</td> </tr> </table> |                                 | mm                   | INCH | 4 PLACES | ± --- | ± --- | 3 PLACES | ± --- | ± --- | 2 PLACES | ± --- | ± --- | 1 PLACE | ± --- | ± --- | DIMENSION STYLE<br>IN/MM<br>DRAWN BY: RPACIFICI DATE: 2005/12/22<br>CHECKED BY: DATE: | SCALE<br>4:1<br>DESIGN UNITS<br>INCH | THIRD ANGLE PROJECTION |
|---|--------------------|-------------------------------|--|---------------------------------|----------------------|------|----------|-------|-------|----------|-------|-------|----------|-------|-------|---------|-------|-------|---|--------------------------------------|------------------------|
|   |                    |                               | mm   | INCH                            |                      |      |          |       |       |          |       |       |          |       |       |         |       |       |   |                                      |                        |
|   |                    | 4 PLACES                      | ± ---  | ± ---                           |                      |      |          |       |       |          |       |       |          |       |       |         |       |       |   |                                      |                        |
|   |                    | 3 PLACES                      | ± ---  | ± ---                           |                      |      |          |       |       |          |       |       |          |       |       |         |       |       |   |                                      |                        |
| 2 PLACES  | ± ---              | ± ---                         |  |                                 |                      |      |          |       |       |          |       |       |          |       |       |         |       |       |   |                                      |                        |
| 1 PLACE   | ± ---              | ± ---                         |  |                                 |                      |      |          |       |       |          |       |       |          |       |       |         |       |       |   |                                      |                        |
| DRAFT WHERE APPLICABLE MUST REMAIN WITHIN DIMENSIONS  |                    |                               | APPROVED BY: DATE:   | TITLE<br>SC CONNECTOR (TUNABLE) |                      |      |          |       |       |          |       |       |          |       |       |         |       |       |   |                                      |                        |
| MATERIAL NO.<br>SEE TABLE   |                    |                               | DOCUMENT NO.<br>SD-106032-XXX0   |                                 | SHEET NO.<br>3 OF 03 |      |          |       |       |          |       |       |          |       |       |         |       |       |   |                                      |                        |
| SIZE<br>B   |                    |                               | THIS DRAWING CONTAINS INFORMATION THAT IS PROPRIETARY TO MOLEX INCORPORATED AND SHOULD NOT BE USED WITHOUT WRITTEN PERMISSION  |                                 |                      |      |          |       |       |          |       |       |          |       |       |         |       |       |   |                                      |                        |