

TECHNICAL SPECIFICATIONS

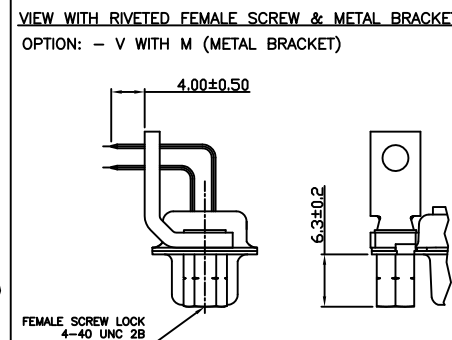
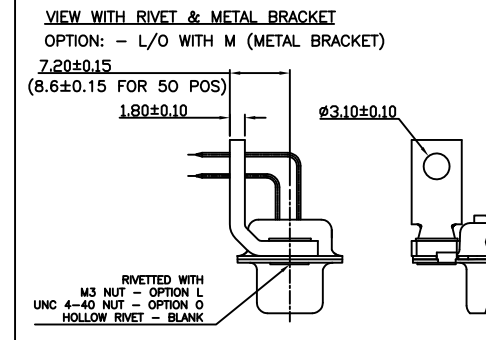
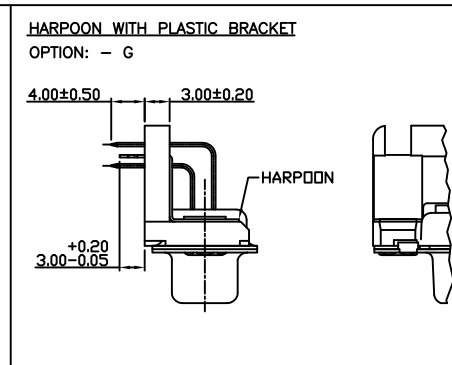
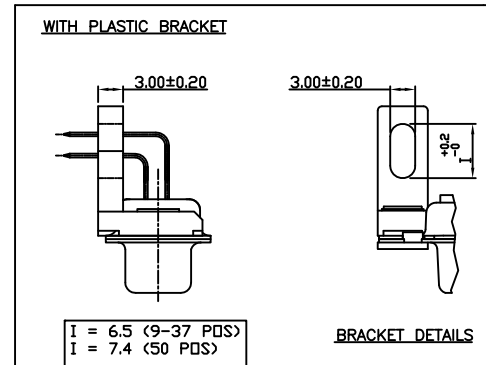
SHELLS	: TIN PLATED STEEL
INSULATOR MATERIAL	: SELF EXTINGUISHING THERMOPLASTIC- TO UL CLASS 94 V0. THE HOUSING WILL WITHSTAND EXPOSURE TO 260-265° C IF WE USE PROTECTIVE ADHESIVE (Kapton or Teflon) OR PROTECTIVE METALLIC DEVICE
CONTACTS DIA ON ACTIVE AREA	: Ø1 MM.
CONTACTS MATERIAL	: COPPER ALLOY
CONTACT PLATING	: GXT / GOLD OVER NICKEL
OPERATING TEMPERATURE	: -55°C +125°C
OPERATING CURRENT	: 7.5 A PER CONTACT
CONTACT RESISTANCE	: $\leq 7.3\text{ m}\Omega$
INSULATION RESISTANCE	: >5000 M.Ω
MAXIMUM VOLTAGE	: 1000 V.r.m.s
MECHANICAL ENDURANCE	: 500 MATINGS MIN. FOR CODE 65 200 MATINGS MIN. FOR CODE 64
DAMP HEAT	: 56 DAYS FOR CODE 65 21 DAYS FOR CODE 64

SERIES	D B P V 25 P 5 64 C T X XXX LF	LEAD FREE
SHELL SIZE	E,A,B,C,D	SPECIAL CODES
CHARACTERISATION	F-DP SERIES	DIMPLES
OPTIONS-1	BLANK-STANDARD L-CLINCH NUT (M3) C-CLINCH NUT (UNC) V-FEM. SCREW LOCK HEX. (UNC)	X-ON MALE CONNECTORS ONLY
OPTIONS-2	NO. OF CONTACTS 09,15,25,37,50	SHELL PLATING T-STD TIN over Cu
CONTACTS	P - PIN S - SOCKET	TERMINATION TYPE 5-ANGLED SPILL 2.54mm BETWEEN ROWS 8-ANGLED SPILL 2.84mm BETWEEN ROWS

- NOTES:
 1) GENERAL VIEW SHOWN IS OPTION C
 2) INSIDE DIMENSION OF MALE AND OUTSIDE DIMENSION OF THE FEMALE CONNECTOR
 3) REFER DRG: C-DSUB-0186 FOR PCB LAYOUT

"This LF product meets European Union Directives and other country regulations as described in GS-47-0004."
 The housing will withstand exposure to 260°C peak temperature for 3.5 seconds in a wave solder application with a 1.6mm minimum thick circuit board.
 Packaging as per GS-14-920

50	P	66.65	52.68	61.11	11.08	14.99	11.09	5.85	1.0								
	S	66.65	52.30	61.11	10.62	14.99	11.21	6.05	0.8								
37	P	68.94	55.30	63.50	8.23	12.17	11.09	5.85	1.0								
	S	68.94	54.71	63.50	7.77	12.17	11.21	6.05	0.8								
25	P	52.65	38.84	47.04	8.23	12.17	11.09	5.85	0.8								
	S	52.65	38.25	47.04	7.77	12.17	11.21	6.05	0.8								
15	P	38.76	25.12	33.32	8.23	12.17	10.99	5.85	0.8								
	S	38.76	24.54	33.32	7.77	12.17	11.21	6.05	0.8								
09	P	30.43	16.79	24.99	8.23	12.17	10.99	5.85	0.8								
	S	30.43	16.21	24.99	7.77	12.17	11.21	6.05	0.8								
	SHELL SIZE	A	+0.76	B	+0.25	C	±0.12	D	+0.25	E	+0.76	F	MAX	G	+0.15	H	+0.22



mat'l. code	-	surface	ISO 1302	tolerance	ISO 406 ISO 1101	projection	MM	product family	D-SUB
ltr	ecn no	dr	date	angles	linear	MM	scale	4:1	title
G	106-0074	GVJ	2006/06/08						D-SUB A/S CONNECTOR
H	108-0047	MRA	2008/03/25						(DP SERIES WITH ASSEMBLY OPTIONS)
J	109-0075	MRA	2009/05/14	0°±2'					
K	111-0016	MRA	2010/09/02	dr	MINI K VANDANATH	1999/03/20			
L	ELX-1-20760	MP	2015/05/02	engr	MITHUN PAUL	2015/05/02			
				chr	ALIAS BABU	2015/05/02			
				appd	BIJU K PAUL	2015/05/02			
sheet index	revision	L							dwg no
	sheet	1							sheet 1 of 1
									size
									A3
									type
									Product Customer Drawing