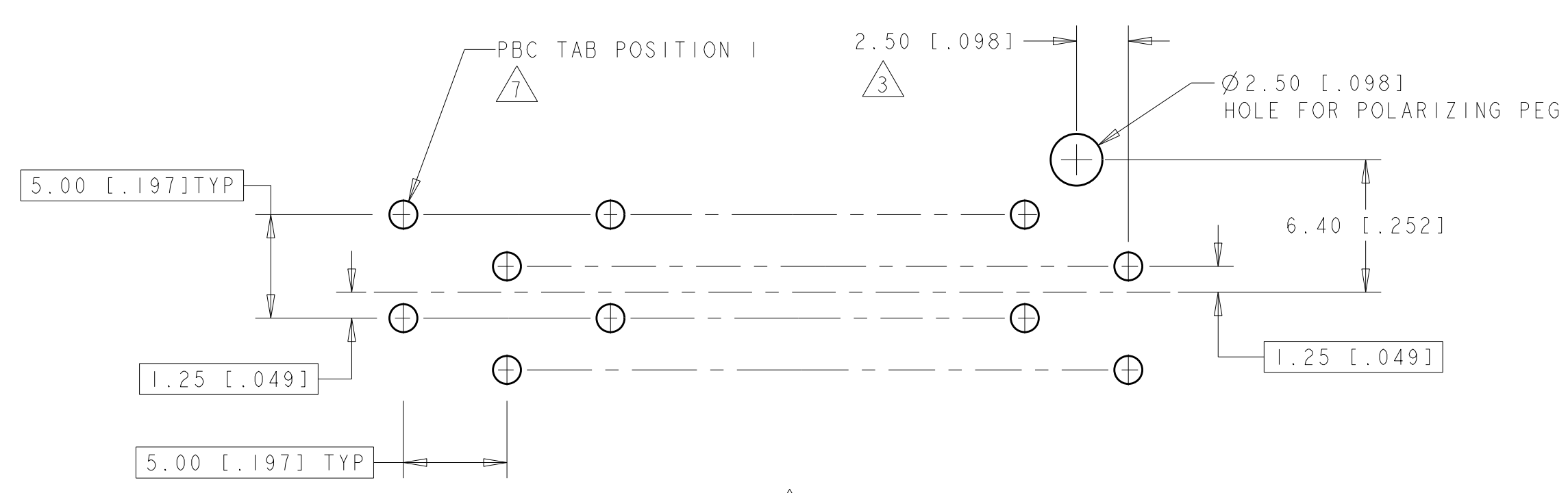
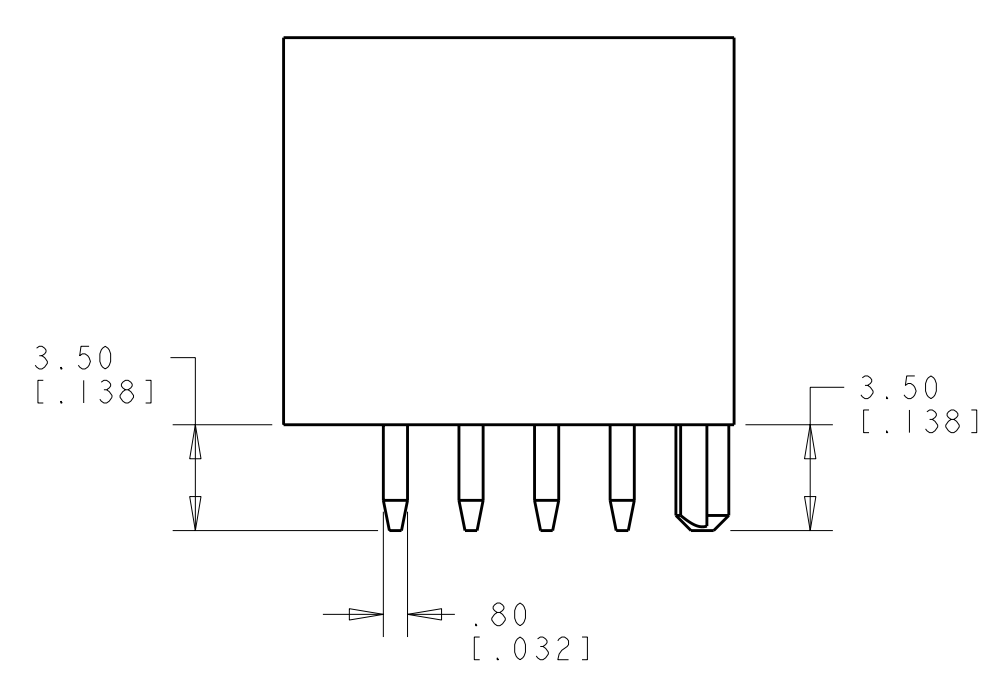
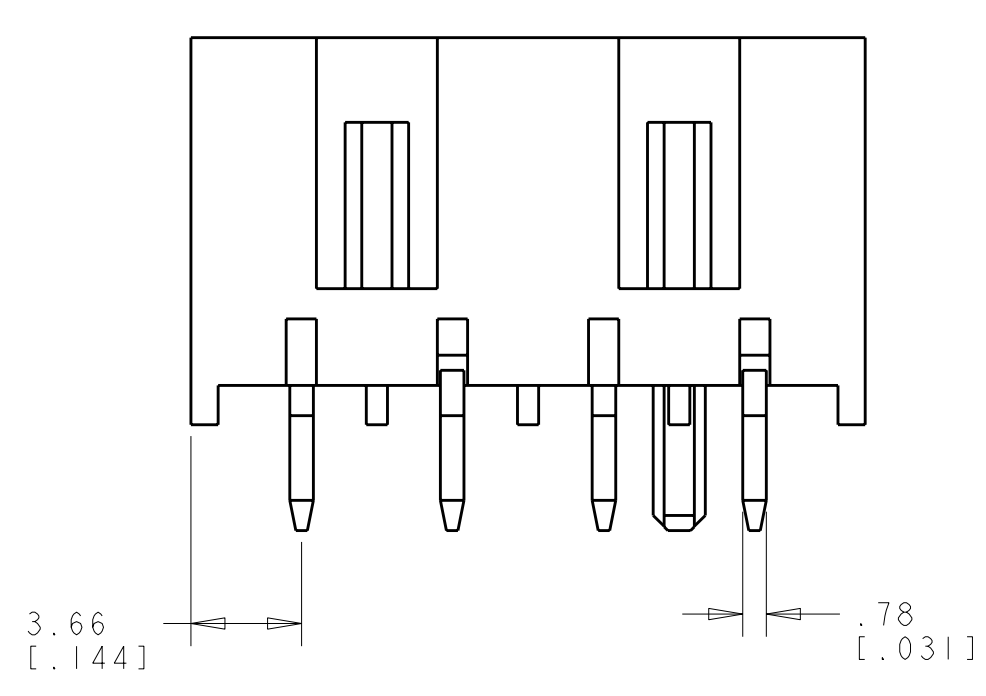
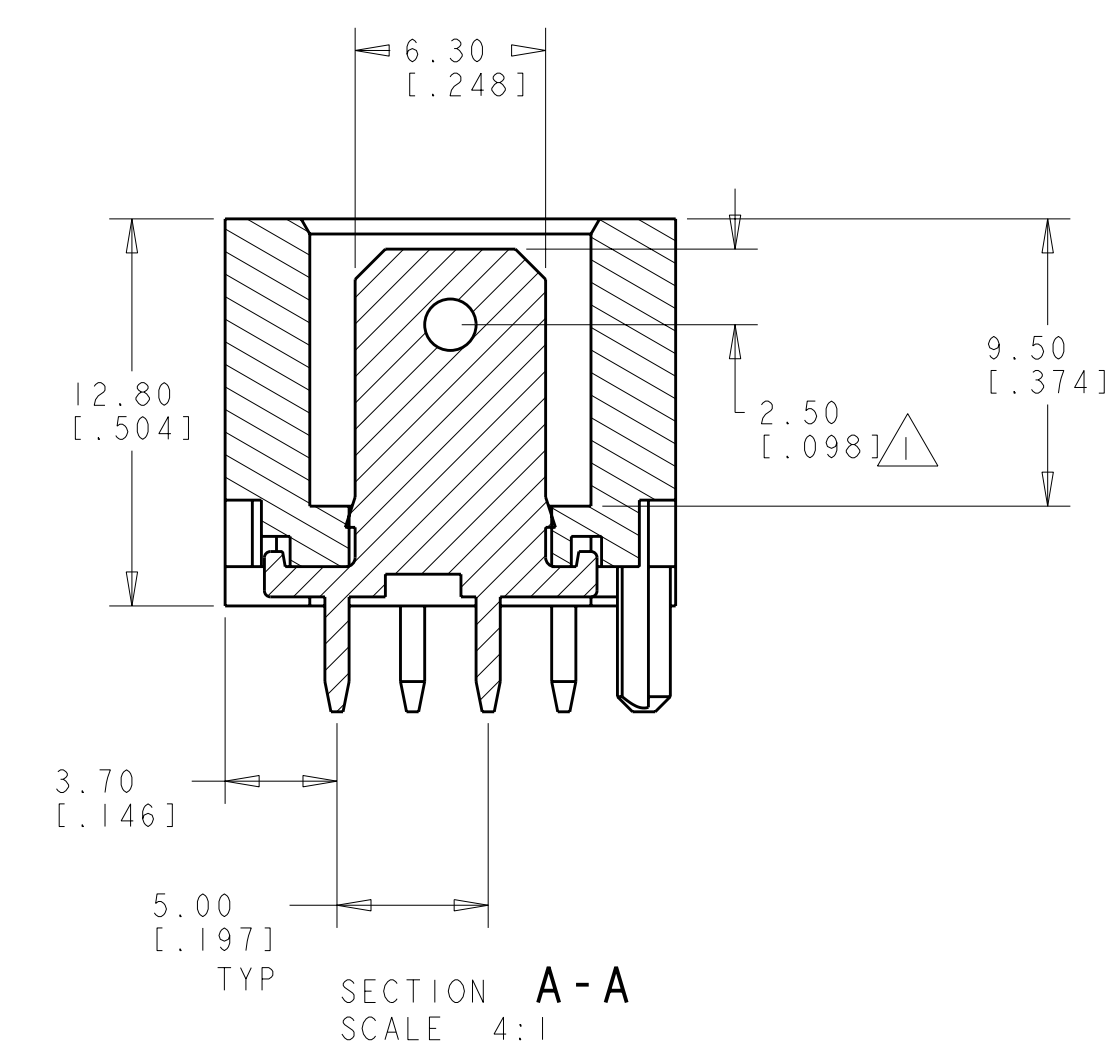
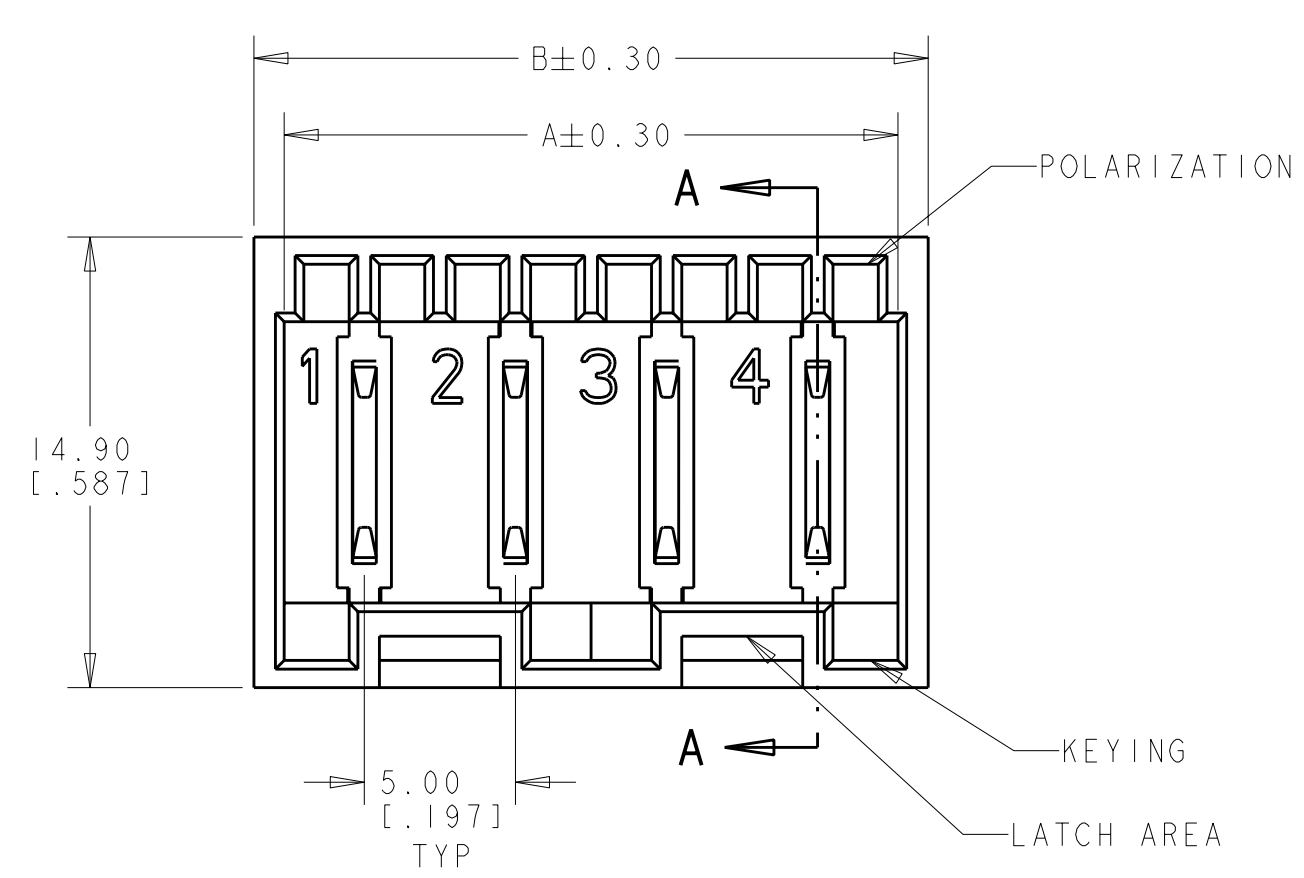


LOC	DIST	REVISIONS			
P	LT#	DESCRIPTION	DATE	DWN	APVD
AF	50	F6	REV PER ECR 09-020823	120C109	JR RL



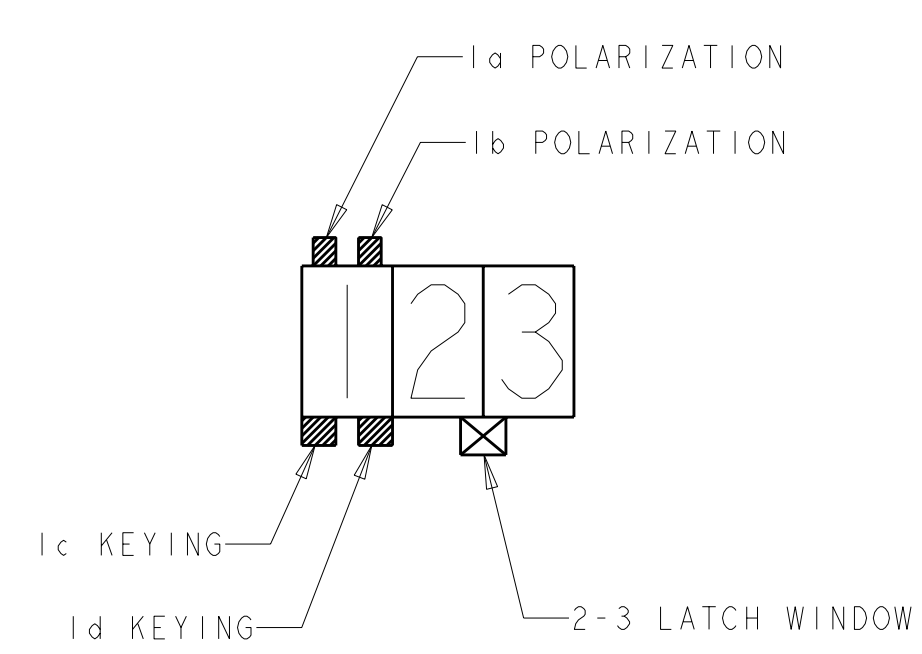
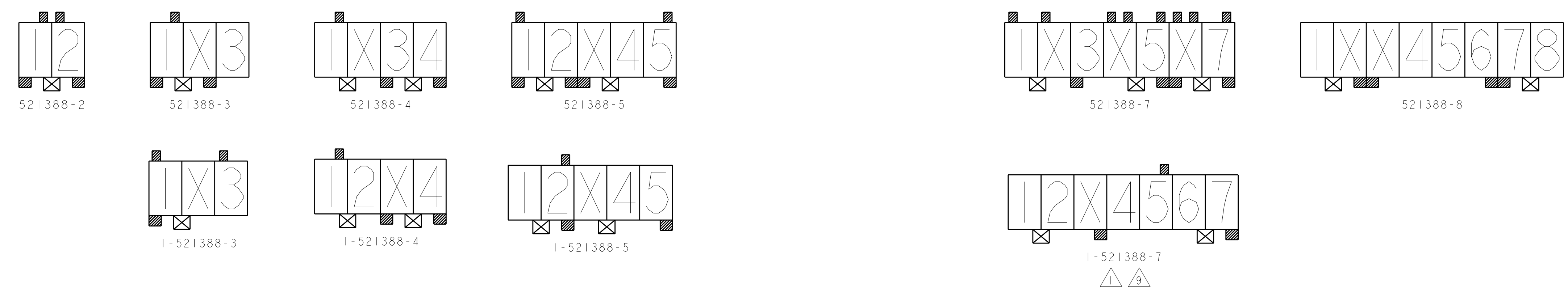
PCB LAYOUT - COMPONENT SIDE
 PCB 1.5±0.2 [.059±.007] THICK
 SCALE 4:1

- 1 HOUSING HAS RAST 5 COMPLIANT KEYING, LATCHING, AND POLARIZATION. TAB IS 6.3 x 0.8 [.248 x .032], HOWEVER, THE LOCATION OF THE TAB HOLE DOES NOT MEET DIN 46244.
- 2 POSSIBLE TYCO MATING CONNECTOR FAMILIES INCLUDE POSITIVE-LOCK RAST 5, STANDARD TIMER RAST 5, MULTIFITTING, MULTIFITTING MKII, AND MONO-SHAPE TAB CONNECTORS.
- 3 DIMENSION OFF OF LAST POSITION REGARDLESS OF EVEN OR ODD POSITION CONNECTOR.
- 4 MATERIAL: HOUSING, NYLON 66, UL 94V-0. CONTACT, BRASS, 0.8 mm THICK.
- 5 FINISH: CONTACTS, 2µm MIN SILVER OVER 1.3µm MIN NICKEL.
- 6 FINISH: CONTACTS, 3.8 µm MIN TIN OVER 1.3 µm MIN NICKEL.
- 7 PCB TABS INSERTED IN A STAGGERED PATTERN BEGINNING WITH POSITION 1.
- 8 SELECTED HOLES MAY BE 1.05+0.05/-0.00 DIA [.041+.002/-0.001 DIA] FOR IMPROVED (PRESS-FIT) RETENTION TO P.C.B. PRIOR TO SOLDERING.
- 9 PRELIMINARY - NOT FOR PRODUCTION

42.3	40.3	8
37.3	35.3	7
32.3	30.3	6
27.3	25.3	5
22.3	20.3	4
17.3	15.3	3
12.3	10.3	2
B	A	NO. OF POS.

DIMENSIONS: mm [INCHES] TOLERANCES UNLESS OTHERWISE SPECIFIED: 9 PLC ± 1 PLC ±0.25(.010) 2 PLC ± 3 PLC ± 4 PLC ± ANGLES ±2° FINISH SEE TABLE		DWN R FLAIG 19MAR2004 CHK J HUMMEL 19MAR2004 APVD J HUMMEL 19MAR2004 PRODUCT SPEC 108-2183 APPLICATION SPEC WEIGHT CUSTOMER DRAWING	Tyco Electronics Harrisburg, PA 17105-3608 NAME ASSEMBLY, POSITIVE-LOCK, RAST 5, SPECIAL VERSION, VERTICAL SIZE CAGE CODE DRAWING NO. RESTRICTED TO A11 00779 C=521388 SCALE 4:1 SHEET 1 OF 2 REV F6
--	--	---	---

LOC	DIST	REVISIONS			
P	LTB	DESCRIPTION	DATE	DWN	APVD
AF	50	SEE SHEET 1	-	-	-



PICTORIAL VIEW KEY

NO.	DESCRIPTION	DATE	BY	CHKD	APVD	REV	DESCRIPTION	DATE	DWN	APVD
6	1, 4, 5, 6, 7, 8	1-2, 7-8	2d, 3c, 6d, 7c	-	8	08-D	521388-8			
6	1, 2, 4, 5, 6, 7	1-2, 6-7	3d, 7d	5b	7	07-C	1-521388-7			
5	1, 3, 5, 7	1-2, 4-5, 6-7	3c, 5d, 6c, 7d	1a, 2a, 4a, 4b, 5b, 6a, 6b, 7b	7	-	521388-7			9
6	1, 2, 4, 5	1-2, 3-4	2d, 5d	2b	5	-	1-521388-5			
6	1, 2, 4, 5	1-2, 3-4	1c, 2d, 3c, 5d	1a, 5b	5	-	521388-5			
6	1, 2, 4	1-2, 3-4	3c, 4d	1b	4	04-A	1-521388-4			
6	1, 3, 4	1-2, 3-4	3c, 4d	1b	4	04-A	521388-4			
6	1, 3	1-2	1c	1a, 3a	3	--	1-521388-3			
6	1, 3	1-2	1c, 2d	1b	3	03-A	521388-3			
5	FULLY LOADED	1-2	1c, 2d	1b, 2a	2	02-A	521388-2			
FINISH	LOADED TAB POSITIONS	LATCH WINDOWS	KEYING	POLAR.	NO. OF POS.	RAST 5 DESIG.	PART NUMBER			

THIS DRAWING IS UNPUBLISHED. RELEASED FOR PUBLICATION BY TYCO ELECTRONICS CORPORATION. ALL RIGHTS RESERVED. THIS IS SUBJECT TO CHANGE WITHOUT NOTICE AND WITHOUT OBLIGATION. SHOULD BE CONTACTED FOR THE LATEST REVISION.

DIMENSIONS: mm [INCHES]	TOLERANCES UNLESS OTHERWISE SPECIFIED:	9 PLC ±	8 PLC ±	7 PLC ±0.25(.010)	6 PLC ±	5 PLC ±	4 PLC ±	ANGLES ±2°	FINISH	MATERIAL
		DWN R. FLAIG 19MAR2004		CHK J. HUMMEL 19MAR2004		APVD J. HUMMEL 19MAR2004		Tyco Electronics Harrisburg, PA 17105-3608 NAME: ASSEMBLY, POSITIVE-LOCK, RAST 5, SPECIAL VERSION, VERTICAL SIZE: CAGE CODE DRAWING NO. RESTRICTED TO A11 00779 C=521388 SCALE: 4:1 SHEET 2 OF 2 REV F6 CUSTOMER DRAWING		